

User Guide

用户手册

两口千兆防水延长器

2-port Gigabit waterproof PoE Extender

Package Contents

Check the following contents of your package:

- PoE Extender x 1
- User Guide x 1
- Accessories (water joint)

If any part is lost and damaged, please contact your local agent immediately.

Introduction

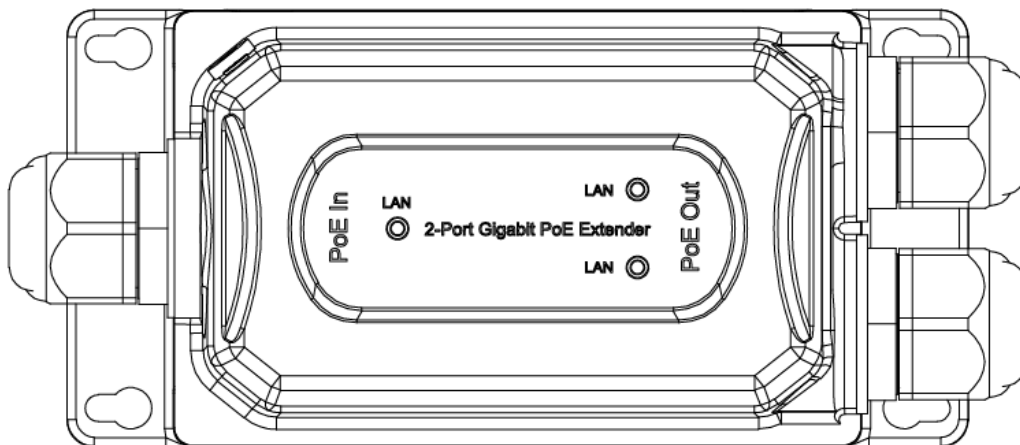
This Product is a Gigabit IP67 waterproof PoE extender independently developed by our company. It supports one RJ45 (PD) port in and 60W input(IEEE802.3bt). Two ports have PSE function, each supporting up to 30W output, without configuration, plug and play.

Professional room shell design, adapted to various harsh environments, with high stability, reliability, industrial level, wide temperature. The whole machine does not need power adapter, so it is convenient for harsh outdoor environment .reliable and convenient power for outdoor work AP, cameras etc.

Hardware Description

Front Panel

The front panel composed by PSE output port , input port and relevant indicator, as shown below:

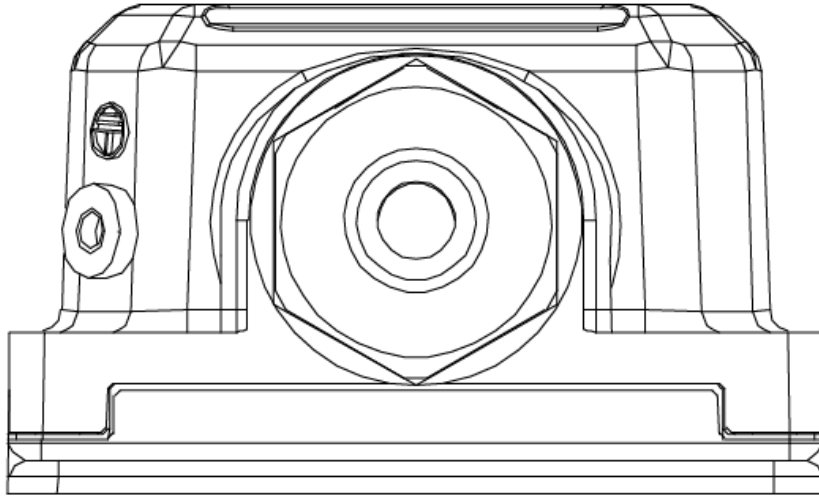


LED indicator

LED	Color	Function
LAN	Green	Off: No device is connected to the corresponding port Light: Indicates the link through that port is successfully established at 10/100/1000Mbps. Blink: transmitting data and power

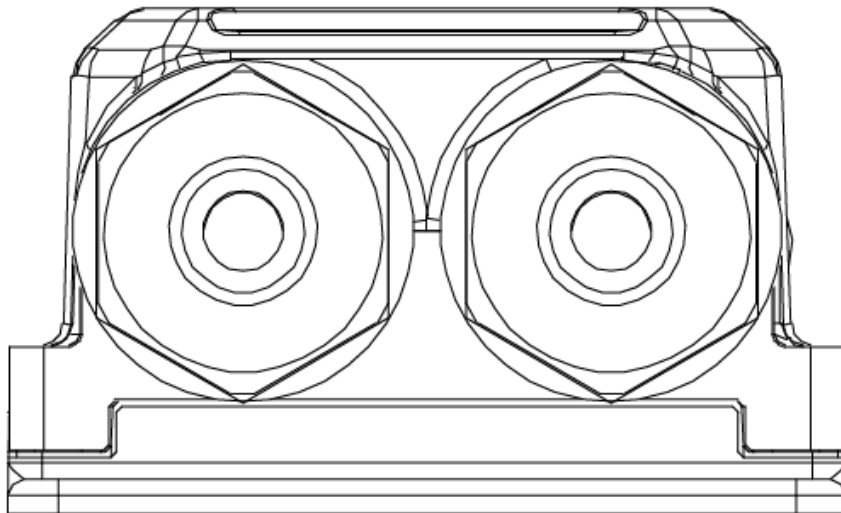
Left Panel

Schematic diagram of left panel: input port (PoE In) and grounding column, Standard network Cate5 cable (line diameter 5.5mm).



Right Panel

Schematic diagram of right panel: the output port (PoE out) requires the use of standard network cate5 cable (Line diameter 5.5mm).



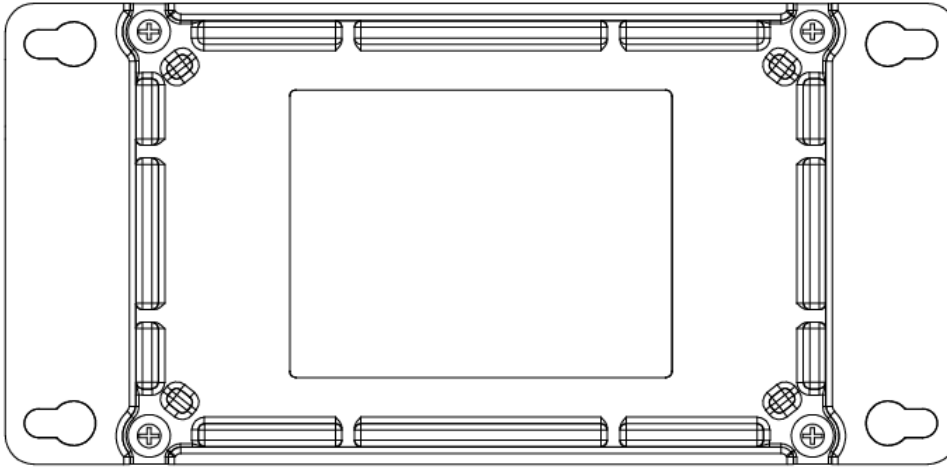
Installation

This part describes how to install your machine and make connections to it. Please follow the following instructions in avoid of incorrect installation causing device damage and security threat.

- The nuts of the waterproof joint should be tightened in full fit with the joint's thread and fit to the hexagon plane, otherwise it is easy to get water and damage the machine;
- Do not place the machine on an unstable case or desk. The machine might be damaged severely in case of a fall;
- Make sure that the operating voltage is the same one labeled on the machine;
- Do not open the chassis while the machine is operating or when electrical hazards are present to avoid electrical shocks.

Desktop Installation

Install the machine on a desktop, place the machine carefully on the counter, the bottom is as follows:

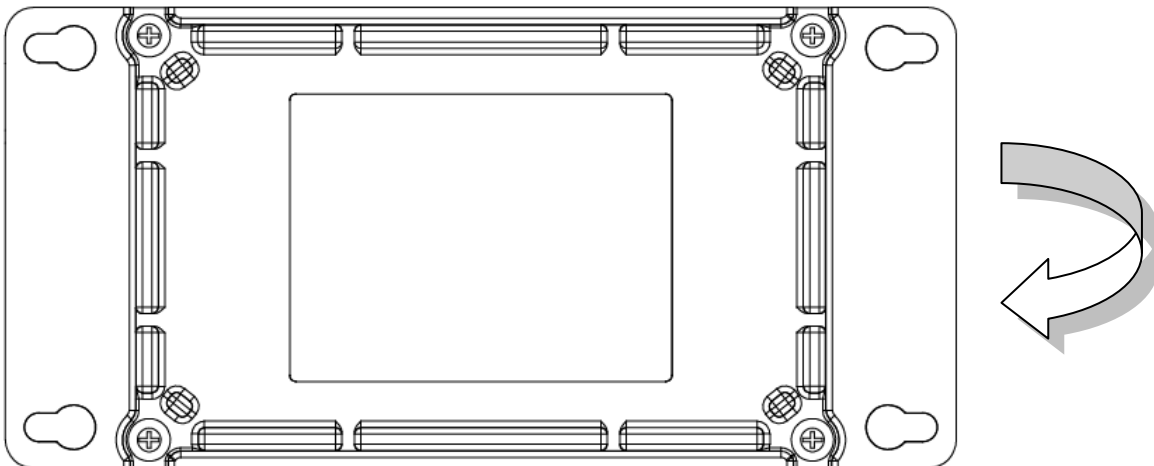


Wall-mounted installation

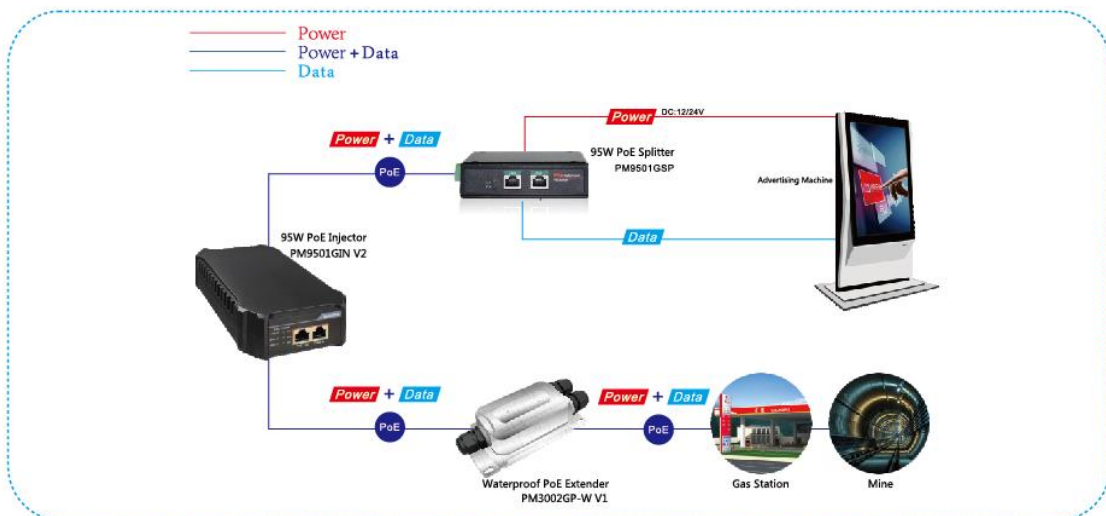
Please follow these steps to install the machine:

First fix the four screws on the wall (screw cap diameter recommended 5.5-6.5mm) and turn the machine upside down.

Align the four fixing holes of the machine as shown below and hang the machine smoothly on the screws.



Application diagram of PoE injector:



Specifications

Model	2-port Gigabit waterproof PoE Extender
Port	PoE in port:1 x 10/100/1000Mbps RJ45 port PoE out port : 2 x 10/100/1000Mbps RJ45 port
Standard	IEEE802.3, IEEE802.3u, IEEE802.3ab, IEEE802.3af, IEEE802.3at, IEEE802.3bt, IEEE802.3x
Network Media(Cable)	10BASE-T: UTP category 3,4,5 cable (≤100m) 100BASE-TX: UTP category 5 cable (≤100m) 1000BASE-T: UTP category 5e cable (≤100m)
Dimensions (L*W*H)	150*73*44MM
PoE input	60W
PoE power output	48-55V DC Max.30W
PSE Power on RJ-45	PoE in port::Anode1/2 Cathode3/6 or Anode4/5 Cathode7/8 PoE out port:: Anode1/2 Cathode3/6
Temperature	Operating Temperature: -20° C ~ 60 ° C Storage Temperature: -40 ° C ~ 80 ° C
Humidity	Operating Humidity: 10% ~ 90% non-condensing Storage Humidity: 5% ~ 90% non-condensing
Waterproof rate	IP67
Hazardous rating	IK10

包装清单

小心打开包装盒，包装盒内应有以下物件：

千兆延长器..... 一台
用户手册.....一本
安装附件（三个防水接头）

如果发现有物件损坏或者短缺的情况，请及时和当地经销商联系。

产品简介

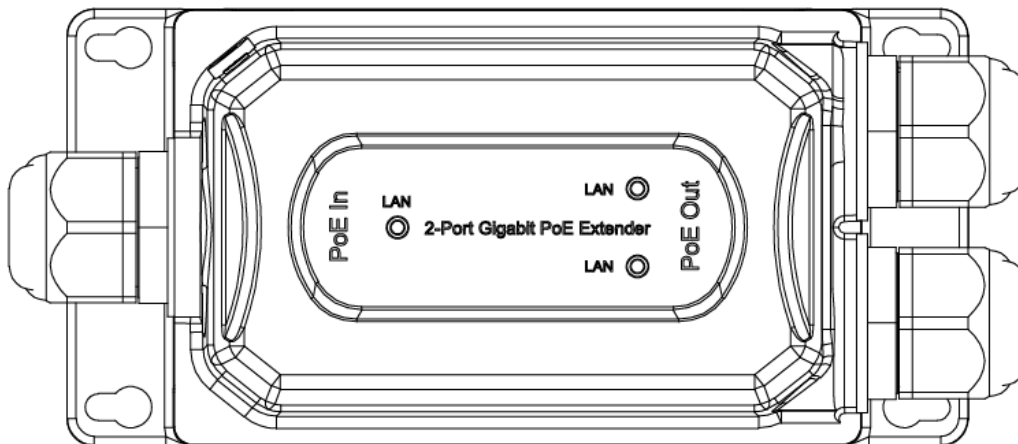
此产品是我司自主研发的千兆防水一进二出的 PoE 延长器，支持 1 个 RJ45 (PD) 端口进，PD 支持 60W 输入(兼容 IEEE802.3bt),端口具有 PSE 功能，各支持最大 30W 输出，无需配置，即插即用。

专业室外壳体设计，适应各种恶劣环境，具有高稳定性，可靠性，工业级水平，宽温度。整机不需要电源适配器，方便恶劣的户外环境及户内不容易取电的监控设备。

外观描述

正面

正面由 PSE 输出端口跟输入端口及相关的指示灯组成，如下图所示：

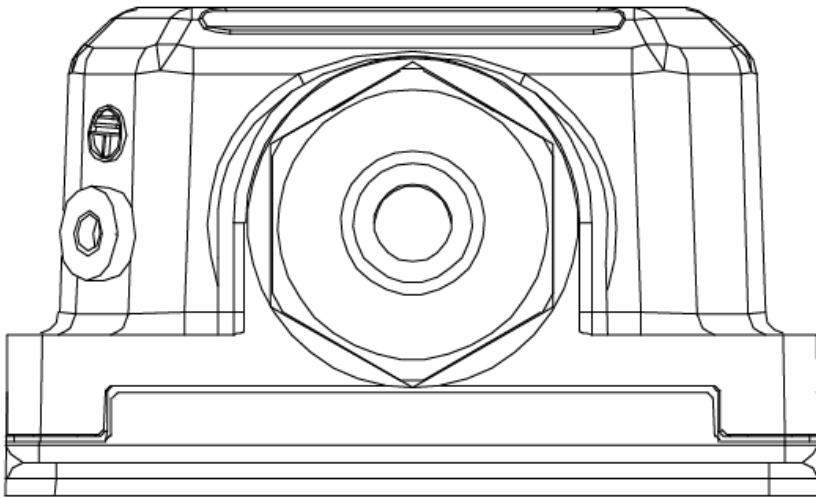


LED 指示灯

指示灯	颜色	描述
LNK	绿色	灭：没有连通网络设备 常亮：连接到10/100/1000Mbps网络设备 闪烁：正在传输数据和电力

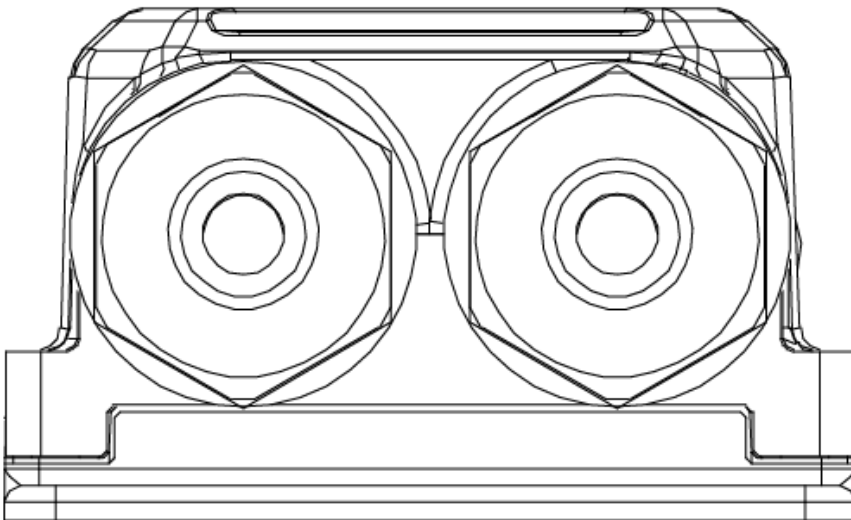
左面

左面板示意图: 防雷接地柱及输入端口 (PoE In) 要求使用标准 cate5 类网线 (线径 5.5mm)



右面

右面板示意图: 输出端口 (PoE out) 要求使用标准 cate5 类网线 (线径 5.5mm)



安装设备

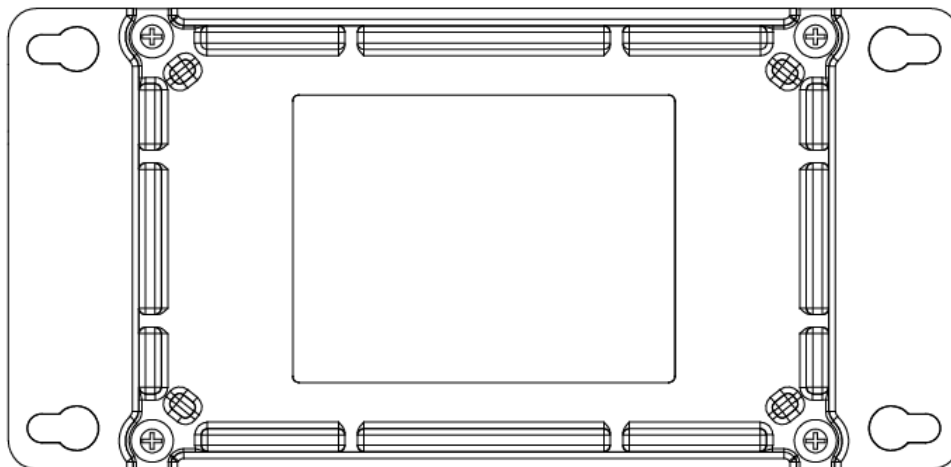
注意事项

为避免使用不当造成设备损坏及对人身伤害, 请遵从以下的注意事项:

- 防水接头螺帽需跟接头螺纹完全配合拧紧, 贴合六角平面, 否则易导致进水, 损坏机器;
- 请不要将机器放在不稳定的箱子或桌子上, 万一跌落, 会对机器造成严重损害;
- 机器要在正确的电压下才能正常工作, 请确认工作电压同机器所标示的电压相符;
- 为减少受电击的危险, 在机器工作时不要打开外壳, 即使在不带电的情况下, 也不要随意打开机壳;

桌面安装

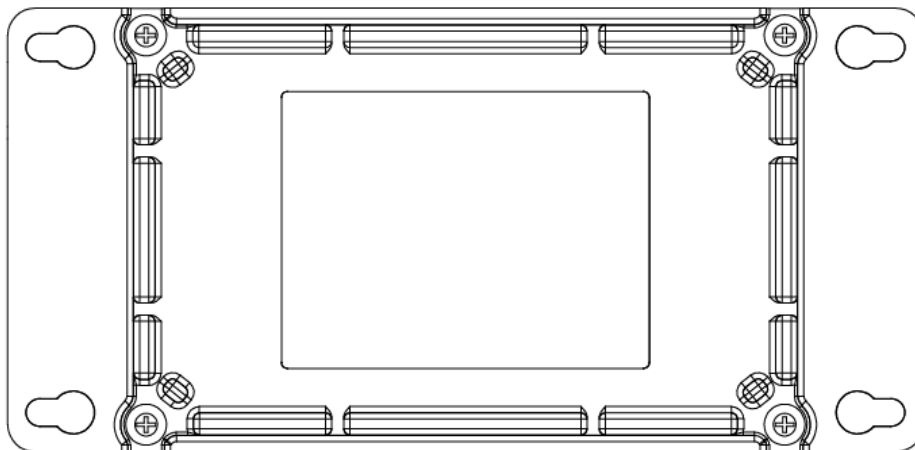
小心将机器正置，放在工作台上。底部如下：



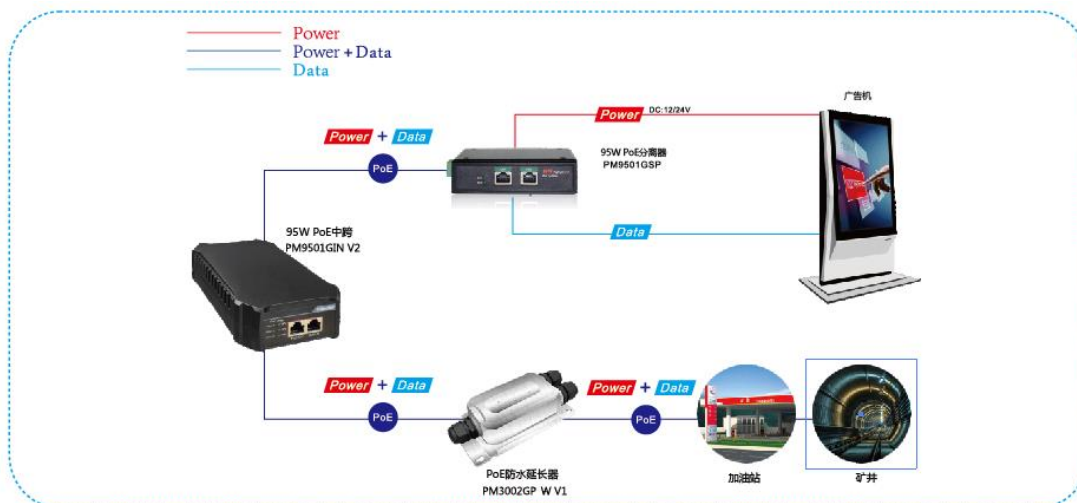
壁挂式安装

请按照以下步骤安装机器：

在墙壁上先固定四颗螺钉（螺丝帽直径建议 5.5-6.5MM）把机器反过来，如下图所示对准机器的四个固定孔，把机器平稳的挂在螺钉上



应用拓扑示意图：



技术规格

产品名	两口千兆防水延长器
端口	PoE in 口 : 1x10/100/1000Mbps 自协商 RJ45 端口 PoE out 口 : 2x10/100/1000Mbps 自协商 RJ45 端口
标准	IEEE802.3, IEEE802.3u, IEEE802.3ab, IEEE802.3af, IEEE802.3at, IEEE802.3bt , IEEE802.3x
网络介质 (线缆)	10BASE-T: Cat 3,4,5 非屏蔽类双绞线(≤100m) 100BASE-TX: Cat 5 及以上非屏蔽类双绞线(≤100m) 1000BASE-T : Cat 5 及以上非屏蔽类双绞线(≤100m)
尺寸(长*宽*高)	150*73*44MM
PoE 端口输入	60W
PoE 端口输出	每个 PoE 端口输出 48-55V DC Max.30W
PoE 供电线对	输入端口 : 4/5+、7/8-线对 或 1/2+、3/6-线对 (同时支持) 输出端口 : 1/2+、3/6-线对
工作温度	-20°C ~ 60 °C
存储温度	-40 °C ~ 80 °C
工作湿度	10% ~ 90% 无凝结
存储湿度	5% ~ 90% 无凝结
防水等级	IP67
防爆等级	IK10