

User Guide

用户手册

4GE(PD)+1GE(PD)PoE 交换机

4-Port Gigabit+1GE(PD)High PoE Switch

Package Contents

Check the following contents of your package:

- PoE Switch x 1
- User Guide x 1
- Accessories(Feet*4)

If any part is lost and damaged, please contact your local agent immediately.

Introduction

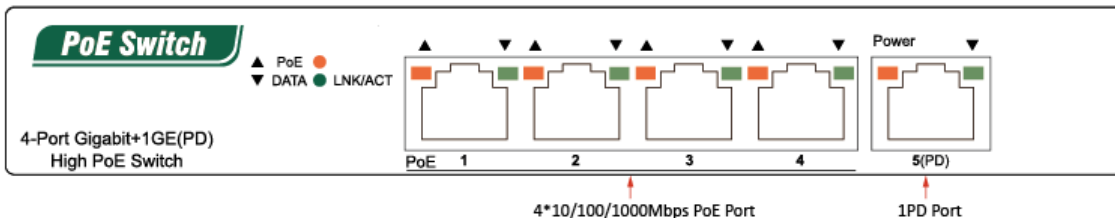
Thank you for choosing This PoE Switch. The PoE Switch is 5-Port 10/100/1000Mbps Auto-Negotiation RJ45 Port. Among them, port1~4 is PSE port, support 32W output. Port5 is PD port, support 72-95W input. This PoE Power supply support external power supply and PoE.

4-Port Gigabit+1GE(PD) PoE Switch is easy to install and don't need to configuration. With outstanding performance and quality, the 5-port 10/100/1000Mbps desktop PoE switch is an ideal choice for expanding your home or office network..

Hardware Description

Front Panel

The Front Panel of the PoE Ethernet Switch Consists of 5-Port Ethernet Ports. The LED indicators are also located on the panel.



LED indicator

LED	Color	Function
Power	Orange	Off: No Power supply. Light: Indicates the switch has power.
DATA	Green	Off: No device is connected to the corresponding port. Light: Indicates the link through that port is successfully established at 10/100/1000Mbps. Blink: Indicates that the Switch is actively sending or receiving data over that port.

PoE	Orange	<p>Off: No PoE powered device (PD) connected.</p> <p>Light: There is a PoE PD connected to be port, which supply power successfully.</p> <p>Blink: Indicates port abnormal power supply.</p>
-----	--------	--

Rear Panel

The rear panel of the PoE Switch indicates a DC inlet power socket.



DC: DC Power Socket, connect the power adapter.

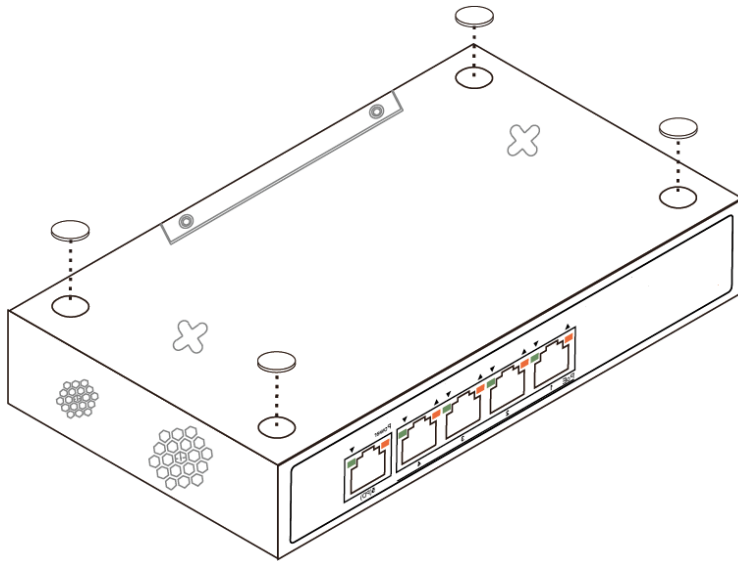
Installation the Switch

This part describes how to install your Ethernet Switch and make connections to it. Please follow the following instructions in avoid of incorrect installation causing device damage and security threat.

- Before cleaning the switch, unplug the power plug of the switch first. Do not clean the switch with wet cloth or liquid;
- Do not place the switch near water or any damp area. Prevent water or moisture from entering the switch chassis;
- Do not place the switch on an unstable case or desk. The switch might be damaged severely in case of a fall;
- Ensure proper ventilation of the equipment room and keep the ventilation vents of the switch free of obstruction;
- Make sure that the operating voltage is the same one labeled on the switch;
- Do not open the chassis while the switch is operating or when electrical hazards are present to avoid electrical shocks.

Desktop Installation

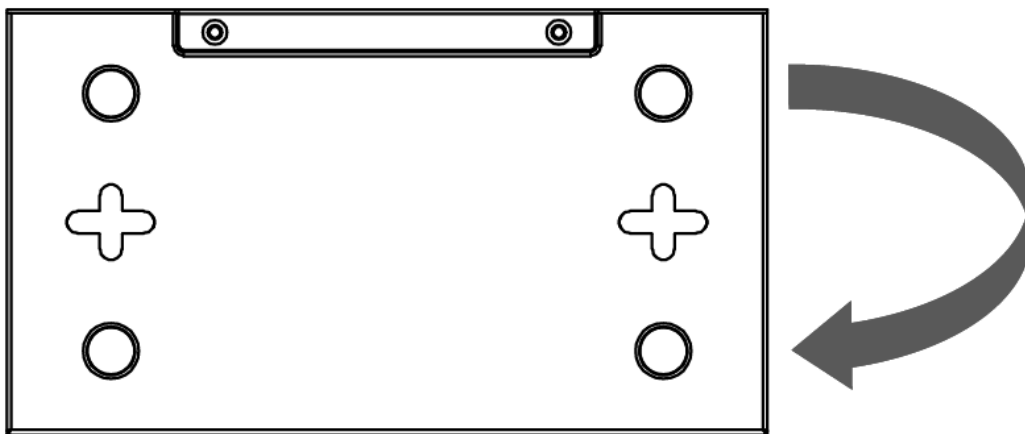
Install the Switch on a desktop, please attach these cushioning rubber feet provided on the bottom at each corner of the Switch in case of the external vibration. Allow adequate space for ventilation between the device and the objects around it.



Wall-mounted installation

In the first two fixed screw on the wall as shown in the figure below

Aim at the two fixed hole switches, and the machine smoothly on the screw



Turn on the switch

The PoE switch can be used with DC power supply. Powering on the switch, it will automatically initialize and its LED indicators will respond as follows:

Firstly, the Power LED indicator will light up.

Then, the data LED indicators will flash momentarily for one second, which represents a resetting of the system.

Specifications

Model	4-Port Gigabit+1GE(PD)High PoE Switch
Standard	IEEE802.3, IEEE802.3u, IEEE802.3ab, IEEE802.3x, IEEE802.3af, IEEE802.3at, IEEE802.3bt
Network Media(Cable)	10BASE-T: UTP category 3,4,5 cable (≤100m) 100BASE-TX: UTP category 5 cable (≤100m) 1000BASE-T: UTP category 5e,6 cable (≤100m)
MAC Address Table	2K, Auto-learning, Auto-aging
Transfer mode	Store-and-Forward
Frame Forward Rate	10Base-T: 14881pps/Port 100Base-TX: 148810pps/Port 1000Base-TX: 1488095pps/Port
Switching Capacity	10Gbps
Dimensions (L*W*H)	168*93*32mm
Fan	Fanless
Power Supply	External adapter or PoE Supply
PoE Port	Port1~4
PD port	Port 5
PoE Power on RJ45	Mode A 1/2(-),3/6(+)
PD Power on RJ45	Support IEEE802.3af/at/bt
PD port input	72W-95W (Max)
PoE port Output	32W(Max)
Temperature	Operating Temperature: 0°C ~ 40 °C (32 °F ~104°F) Storage Temperature: -40 °C ~ 70 °C (-40 °F ~158°F)
Humidity	Operating Humidity: 10% ~ 90% non-condensing Storage Humidity: 5% ~ 90% non-condensing

包装清单

小心打开包装盒，包装盒内应有以下物件：

PoE 交换机 一台
用户手册.....一本
安装附件（脚垫*4）

如果发现有物件损坏或者短缺的情况，请及时和当地经销商联系。

产品简介

4GE(PoE)+1GE(PD)提供 5 个 10/100/1000Mbps RJ45 端口，每个 RJ45 端口均支持 MDI/MDIX 自动翻转和线速转发功能。其 1-4 端口具有供电功能，支持 32W 输出，端口 5 具有受电功能，支持 72W-95W 输入，此 PoE 交换机支持外置电源和 PoE 两种供电方式。

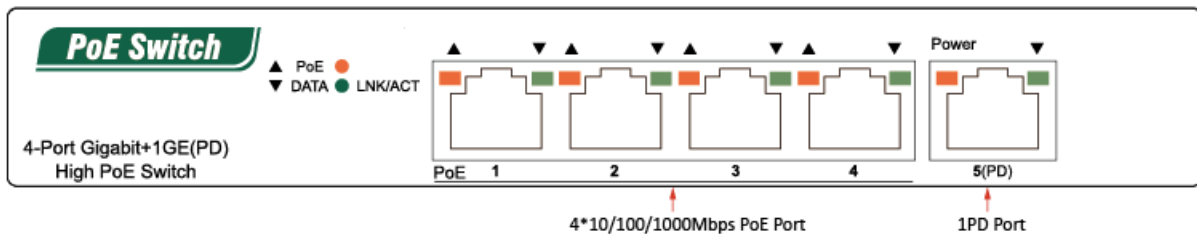
在为一些基于 IP 的终端（如 IP 电话机、无线局域网接入点 AP、网络摄像机等）传输数据信号的同时，还能为此类设备提供电力的技术。它不仅能保证网络的正常运作和避免高压布线的危险，还能最大限度地降低成本。

使用简单方便，无需配置，即插即用，可灵活扩展家庭、办公室网络而不受电力线布局限制，电源可自由选配。

外观描述

前面板

前面板由 5 个 10/100/1000Mbps 自适应 RJ45 端口，相关的指示灯组成，如下图所示：



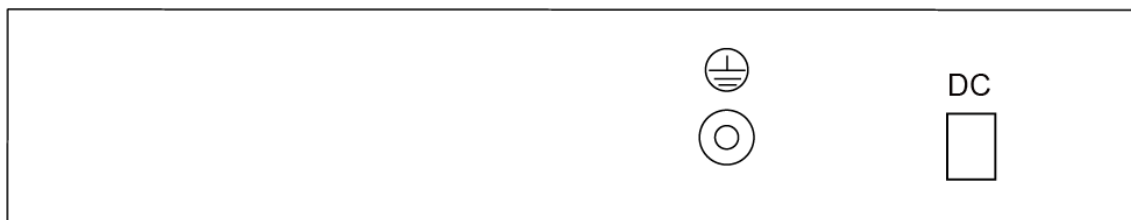
LED 指示灯

指示灯	颜色	描述
Power	橙色	灭：交换机未通电。 常亮：交换机已通电。

DATA	绿色	灭：没有连接网络设备。 常亮：连接到 10/100/1000Mbps 设备。 闪烁：与相连的设备有数据传输。
PoE	橙色	灭：端口未给对端设备供电。 常亮：有受电设备与之连通，并正常供电。 闪烁：端口为对端设备供电异常。

后面板

后面板示意图: DC 电源接口，连接电源适配器。



安装设备

注意事项

为避免使用不当造成设备损坏及对人身伤害，请遵从以下的注意事项：

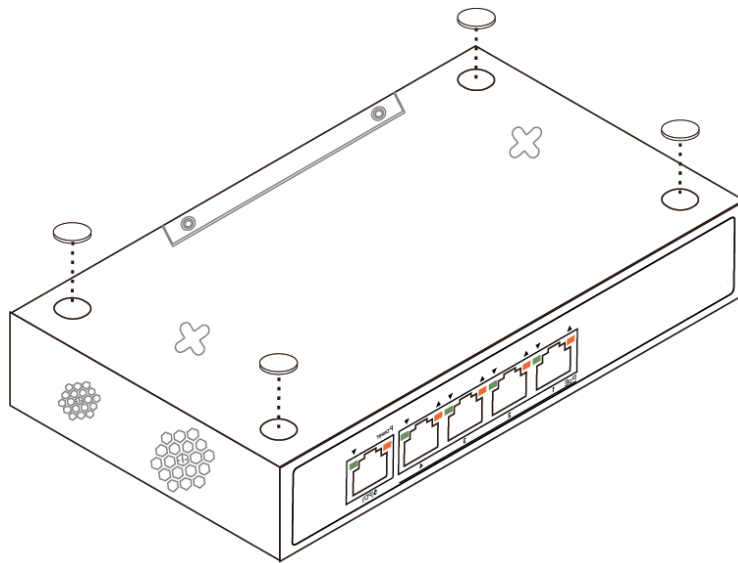
- 在清洁交换机前，应先将交换机电源插头拔出。不要用湿润的布料擦拭交换机，不可用液体清洗交换机；
- 请不要将交换机放在水边或潮湿的地方，并防止水或湿气进入交换机机壳；
- 请不要将交换机放在不稳定的箱子或桌子上，万一跌落，会对交换机造成严重损害；
- 应保持室内通风良好并保持交换机通气孔畅通；
- 交换机要在正确的电压下才能正常工作，请确认工作电压同交换机所标示的电压相符；
- 为减少受电击的危险，在交换机工作时不要打开外壳，即使在不带电的情况下，也不要随意打开交换机机壳。

桌面安装

将交换机的底部朝上放置于足够大且稳定的桌面上；

撕掉随机附带的脚垫表面的粘贴纸，将脚垫粘贴到交换机机壳底部的凹槽内以防外部振动；

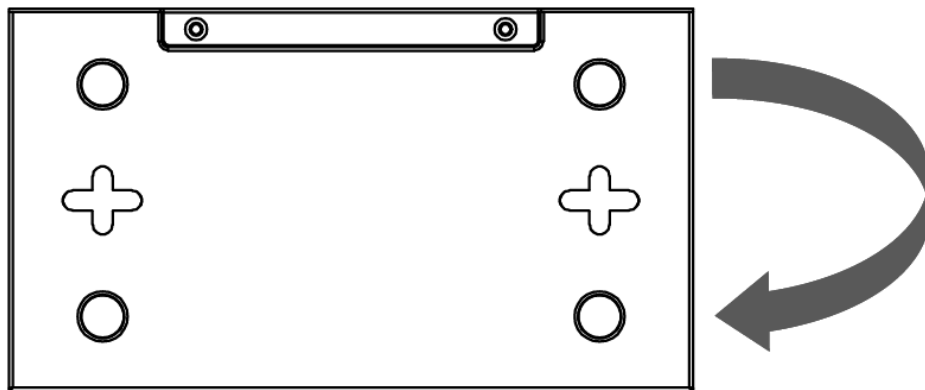
小心将交换机正置，放在工作台上。



壁挂式安装

请按照以下步骤安装 PoE 交换机：

在墙壁上先固定两颗螺钉 如下图所示对准交换机的两个固定孔，把机器平稳的挂在螺钉上



通电

接上电源线，插上插头，接通电源。开机以后，交换机将自动进行初始化，所有的端口指示灯全亮后熄灭，表示系统复位成功。电源 LED 指示灯一直常亮。

注意：上电前请确认电压是否正确，否则将损坏设备。

技术规格

产品名	4GE(PoE)+1GE(PD)PoE 交换机
标准	IEEE802.3, IEEE802.3u, IEEE802.3ab, IEEE802.3x, IEEE802.3af, IEEE802.3at, IEEE802.3bt
网络介质 (线缆)	10BASE-T: Cat 3,4,5 非屏蔽类双绞线(≤100m) 100BASE-TX: Cat 5 及以上非屏蔽类双绞线(≤100m) 1000BASE-T: 5e 类及以上非屏蔽双绞线 (≤100 米)
MAC 地址表	2K, 自动学习 , 自动更新
传输模式	存储转发
包转发速率	10Base-T:14881pps/端口 100Base-TX: 148810pps/端口 1000Base-T : 1488095pps/端口
背板带宽	10G
尺寸(长*宽*高)	160*93*32mm
风扇	无风扇
电源	外置电源或者 PoE 供电
PoE 端口	Port1~4
受电端口	Port5
PoE 供电线对	Mode A 1/2(-),3/6(+)
RJ45 PD 受电	IEEE802.3af/at/bt 供电模式均支持
PD 端口输入	72W~95W (Max)
PoE 单口输出	32W (Max)
工作温度	0°C ~ 40 °C
存储温度	-40 °C ~ 70 °C
工作湿度	10% ~ 90% 无凝结
存储湿度	5% ~ 90% 无凝结