

Product Overview

The PM9501GSP V1 PoE Splitters will work with any Power Sourcing Equipment (PSE) that also supports the 802.3at/bt standards.

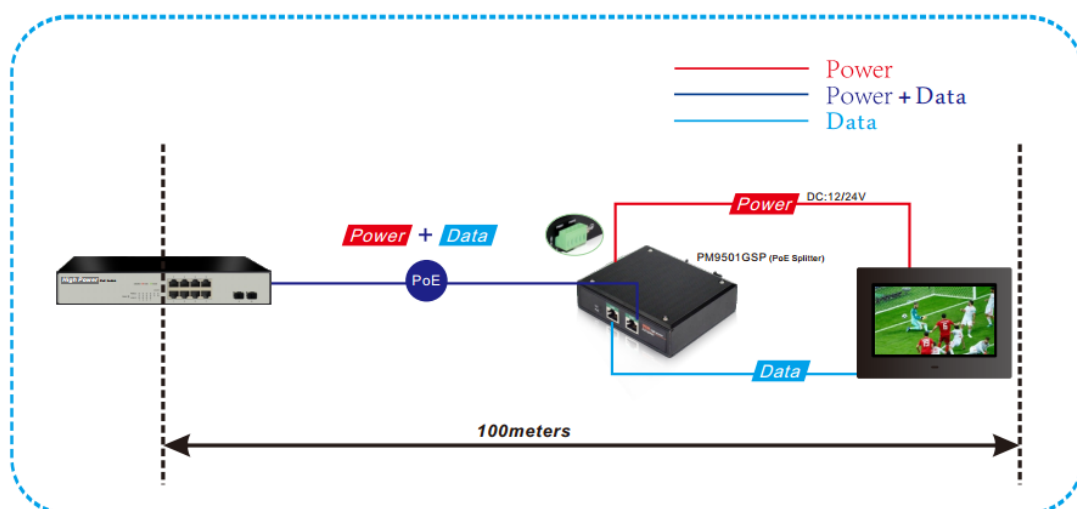
PoE (Power over Ethernet) technology allows the existing Ethernet infrastructure to transmit electrical power, along with data, to remote IP endpoints over the Ethernet cables, which can greatly save the cost of the external power cables. Your network can benefit from PoE technology for it will ensure the normal working status of your network while keep the existing Ethernet infrastructure secure.



Product Features

- 2* 10/100/1000Mbps RJ45 Port;
- 1 DC power output interface;
- Support IEEE802.3, IEEE802.3u, IEEE802.3ab, IEEE802.3af, IEEE802.3at , IEEE802.3bt Standards;
- PD voltage input range 36~57V, power 95W;
- Data and power carried over the same cable;
- Support Plug-and-play for the devices without any configuration;

Application



Product Specifications

Model	PM9501GSP V1
Standard	IEEE802.3, IEEE802.3u, IEEE802.3az, IEEE802.3x, IEEE802.3af, IEEE802.3at , IEEE802.3bt
Network Media(Cable)	10BASE-T: UTP category 3, 4, 5 cable (≤100m) 100BASE-TX: UTP category 5, 5e cable (≤100m) 1000BASE-T: UTP category 5e, 6 cable (≤100m)
LED	Vout1(Green), Power(Green)
Dimensions (L*W*H)	120 *100 *32 mm
RJ45 PoE	RJ45 Pin: 4/5(+)/7/8(-) and 1/2(+)/3/6(-) Data Pairs 1/2 and 3/6, 7/8and 4/5
PoE input Budget	95W
Output Power	72W DC : 12V/6A full load
Operating Temperature	-40°C ~ 75 °C
Storage Temperature	-40 °C ~ 80 °C
Operating Humidity	10% ~ 90% RH non-condensing
Storage Humidity	5% ~ 90% RH non-condensing
Surge Protection	±4KV
MTBF	>50000 hour
Electrostatic standard	Contact 4KV, air 6KV

Ordering information

Model	Product information
PM9501GSP V1	95W High-power PoE Splitter (Support 802.3af/at/bt Standard)