

User Guide

用户手册

95W PoE 分离器 /95W PoE Splitter

Package Contents

Check the following contents of your package:

- PoE Splitter (Tape terminal) x1
- User Guide x1
- DC-DC Power Cable x1

If any part is lost and damaged, please contact your local agent immediately.

1. Introduction

The 95W PoE Splitter will work with any Power Sourcing Equipment(PSE) that also supports the 802.3at/af standards.

PoE (Power over Ethernet) technology allows the existing Ethernet infrastructure to transmit electrical power, along with data, to remote IP endpoints over the Ethernet cables, which can greatly save the cost of the external power cables. Your network can benefit from PoE technology for it will ensure the normal working status of your network while keep the existing Ethernet infrastructure secure.

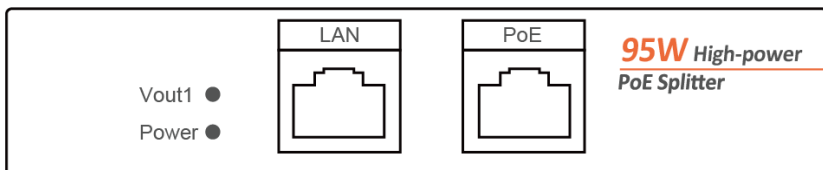
Features

- Complies with IEEE802.3, IEEE802.3u, IEEE802.3ab, IEEE802.3af, IEEE802.3at , IEEE802.3bt Standards;
- Data and power carried over the same cable;
- Support Plug-and-play for the devices, without any configuration;
- PD voltage input range 36~57V, power 95W;

2. Product Outlook

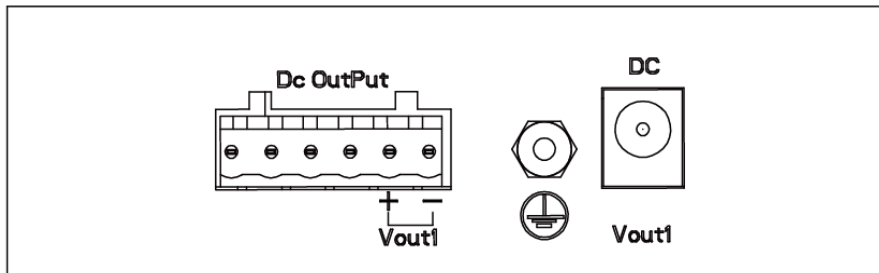
Front Panel

The front panel composed by PSE output ports with data link port, the relevant indicator, as shown below:



PoE: connect to the PSE or PoE Injector with a UTP cable.

LAN: Connect to the Ethernet device with CAT5 UTP cable to transmit data.



DC(Vout1): Connect to the power port of the Ethernet device with the provided power cable to supply the power 12V/24V DC.

3. Installation the Switch

This part describes how to install your Ethernet Switch and make connections to it. Please follow the following instructions in avoid of incorrect installation causing device damage and security threat.

3.1 Notice the matters

- Before cleaning the switch, unplug the power plug of the switch first. Do not clean the switch with wet cloth or liquid;
- Do not place the switch near water or any damp area. Prevent water or moisture from entering the switch chassis;
- Do not place the switch on an unstable case or desk. The switch might be damaged severely in case of a fall;
- Ensure proper ventilation of the equipment room and keep the ventilation vents of the switch free of obstruction;
- Make sure that the operating voltage is the same one labeled on the switch;
- Do not open the chassis while the switch is operating or when electrical hazards are present to avoid electrical shocks;

3.2. Installation environment

- Before the installation, should first confirm that there is a suitable working environment;
- Installation requirements;
- Avoid direct sunlight, away from the heat source or strong electromagnetic interference;
- Check cable and connector according to reasonable configuration requirements, the cable (<100m);
- The product does not provide installation component: screws, nuts and other installation tools;
- Power requirements: PD voltage input range 36~57V, power 95W;
- Working temperature of -40°C ~ 75 °C; relative humidity is 5% ~ 95%;

3.3 Installation

This section describes how to install the Gigabit PoE switch and make connections to it ,please read the following topics and perform the procedures in the order being presented

3.3.1 DIN-rail mounting

Adopt the 45mm standard DIN card rail type installation, Check whether the DIN-rail rail mounting tool accessories (this product has supplied installation fittings) check whether the DIN rail is firm .

Figure:



The DIN card into the DIN rail rail connector, check and confirm the product reliable installation to DIN rail

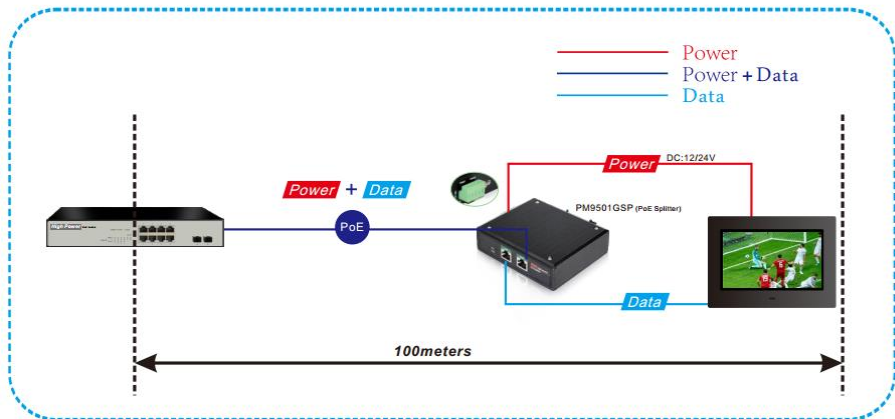


4. Connecting the PoE Splitter

You can use 95W PoE Splitter with PSE to expand your network to where there are no power lines or outlets, where you wish to fix devices such as APs, IP Cameras or IP Phones, etc. The following steps will tell you how to connect the PoE Splitter correctly.

1. Use a UTP cable to connect a PoE port of the PSE (ex. PoE Switch) to the PoE port.
2. Connect the LAN port to the Ethernet device with UTP cable for data transmitting.
3. Connect the DC(Vout1) port to the power port of the same Ethernet device with the provided power cable.

The topology of this network is as follows:



4. Technical specifications

Model	95W PoE Splitter (V1)	95W PoE Splitter (V2)
Standard	IEEE802.3, IEEE802.3u, IEEE802.3az, IEEE802.3x, IEEE802.3af, IEEE802.3at, IEEE802.3bt	
Network Media(Cable)	10BASE-T: UTP category 3,4,5 cable (≤100m) 100BASE-TX: UTP category 5 cable (≤100m) 1000BASE-T: UTP category 5e cable (≤100m)	
Dimensions (L*W*H)	120 *100 *32 mm	
LED	Vout1(green), Power (green)	
Power on RJ45	RJ45 Pin: 4/5(+)/7/8(-) and 1/2(+)/3/6(-) Data Pairs 1/2 and 3/6, 7/8 and 4/5	
Power Output	DC Jack output: 12V/6A(Max)	DC Jack output:24V/3A(Max)
	terminal Vout1: 12V/6A(Max)	terminal Vout1: 24V/3A(Max)
Temperature	Operating Temperature:-40 °C ~ 75°C (-40 °F ~167°F) Storage Temperature: -40 °C ~ 80 °C (-40 °F ~176°F)	
Humidity	Operating Humidity: 10% ~ 90% non-condensing Storage Humidity: 5% ~ 90% non-condensing	

包装清单

小心打开包装盒，包装盒内应有以下物件：

- PoE 分离器（带接线端子）..... 一台
- 用户手册 一本
- DC-DC 电源线 一根

如果发现物件损坏或者短缺的情况，请及时和当地经销商联系。

一、产品简介

95W 大功率分离器。它能和 IEEE802.3at (af) 标准的 PoE 交换机配套使用。此分离器的最大输出功率达到 72W。

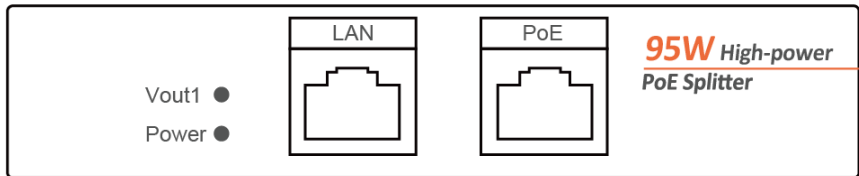
PoE (Power over Ethernet) 技术即以太网供电技术，它是指在为一些基于 IP 的终端传输数据信号的同时，还能为此类设备提供直流供电的技术。使用此技术能大大减少外置电源线的使用从而降低成本，并能保证您的网络正常稳定。

性能特征

- 遵循支持 IEEE802.3, IEEE802.3u, IEEE802.3ab, IEEE802.3af, IEEE802.3at, IEEE802.3bt 标准；
- 能在一条网线上同时传输数据和电力；
- 即插即用，无需配置；
- PD 输入电压范围 36~57V，功率 95W；

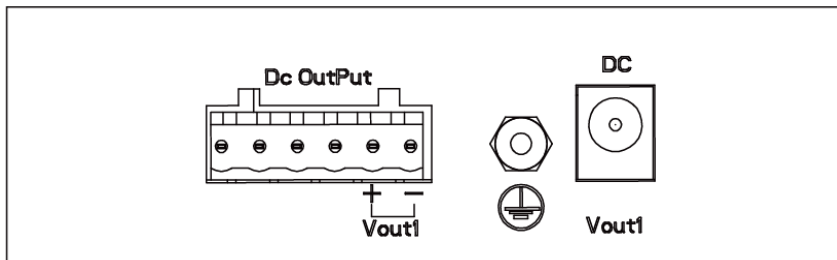
二、外观描述

由 PSE 输入端口与数据链路端口(相关指示符)组成的前面板 如下图所示：



PoE:使用非屏蔽双绞线连接供电设备或 PoE 供电器。

LAN:使用 5 类非屏蔽双绞线连接以太网设备来输出数据。



DC: 使用配套 DC-DC 电源线连接以太网设备的电源接口，为其提供 12V/24V 的直流电。

三. 安装

3.1 安装设备

3.1.1 注意事项

为避免使用不当造成设备损坏及对人身的伤害，请遵从以下的注意事项：

- 在清洁交换机前，应先将交换机电源插头拔出。不要用湿润的布料擦拭交换机，不可用液体清洗交换机；
- 请不要将交换机放在水边或潮湿的地方，并防止水或湿气进入交换机机壳；
- 请不要将交换机放在不稳定的箱子或桌子上，万一跌落，会对交换机造成严重损害；
- 应保持室内通风良好并保持交换机通气孔畅通；
- 交换机要在正确的电压下才能正常工作，请确认工作电压同交换机所标示的电压相符；
- 为减少受电击的危险，在交换机工作时不要打开外壳，即使在不带电的情况下，也不要随意打开交换机机壳。

3.2 安装环境

- 安装之前，要首先确认有合适的工作环境，包括电源要求、 充分的空间、是否接近其它要连接的设备及其它设备是否到位。请确认如下安装要求；
- 避免阳光直射，远离发热源或有强烈电磁干扰区域；
- 检查是否有安装所需的电缆和接头 根据合理配置要求，检查线缆是否到位（不大于 100m）；
- 产品不提供安装组件，用户需准备所选安装类型的组件：螺丝、螺母和工具等，确保可靠安装；
- 电源要求：PD 输入电压范围 36~57V，功率 95W；
- 环境要求：工作温度为-40° C ~ 75 ° C 相对湿度为 5%~95%；

3.3 安装方式

3.3.1 DIN 导轨式安装

采用 45mm 标准 DIN 卡轨式安装，在大多数工业应用上非常方便

其安装步骤如下： 检查是否具备 DIN-rail 导轨安装工具配件（本产品已提供安装配件） 检查 DIN 导轨是否固定结实，是否有安装本产品的合适位置。

将产品配件的 DIN 卡轨连接座下部卡入 DIN 轨内（下部带弹簧支撑），然后将连接座的上部卡入 DIN 卡轨（下部卡入少许，稍微用力保持设备平衡卡入上部）。



将 DIN 轨卡入 DIN 轨连接座后，检查并确认产品可靠地安装到 DIN 导轨上

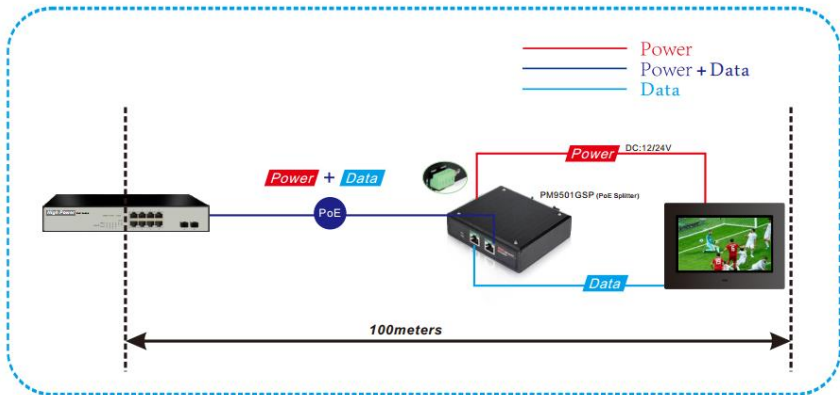


四. 连接分离器

95W 分离器与供电设备或 PoE 供电器配套使用，可以在缺乏电源线或远离电源插座的网络环境中为 AP、IP 摄像头、IP 电话等网络设备供电。请按照以下步骤正确连接 PoE 分离器：

1. 使用非屏蔽双绞线连接供电设备（如 PoE 交换机）的 PoE 端口和 PoE 分离器的 PoE 口。
2. 使用非屏蔽双绞线连接 PoE 分离器的 LAN 接口和以太网设备。两者可进行数据传输。
3. 使用配套电源线连接 PoE 分离器的 DC (Vout1) OUT 接口和以太网设备的电源接口。

连接拓扑图：



四. 技术规格

产品名	95W 分离器 (V1)	95W 分离器 (V2)
标准	IEEE802.3、IEEE802.3u、 IEEE802.3ab、 IEEE802.3af、 IEEE802.3at、 IEEE802.3bt	
网络介质(线缆)	10BASE-T: 3、4、5 类非屏蔽双绞线 (≤100 米) 100BASE-TX: 5 类及以上非屏蔽双绞线 (≤100 米) 1000BASE-T: 5e、6 类及以上非屏蔽双绞线 (≤100 米)	
LED 指示灯	Vout1 (绿色), Power (绿色)	
尺寸 (长*宽* 高)	120 *100 *32 mm	
RJ45 PoE 受电	RJ45 管脚极性: 4/5(+)/7/8(-) and 1/2(+)/3/6(-) 数据: 1/2 and 3/6, 7/8 and 4/5	
DC 输出	DC 座子输出: 12V/6A (Max)	DC 座子输出: 24V/3A (Max)
	4pin 端子 Vout1: 12V/6A (Max)	4pin 端子 Vout1: 24V/3A (Max)
工作温度	-40°C ~ 75 °C	
存储温度	-40 °C ~ 80 °C	
工作湿度	10% ~ 90%无凝结	
存储湿度	5% ~ 90%无凝结	