

**User Guide**

**用户手册**

**24-Port 10/100/1000Mbps Ethernet Switch**

**24 口全千兆交换机**

# Package Contents

Check the following contents of your package:

- Switch x 1
- User Guide x1
- Power Cord x1
- Accessories(Rack Mount Accessory Kit\*2 ,Rubber Feet\*4 , screw\*8)

If any part is lost and damaged, please contact your local agent immediately.

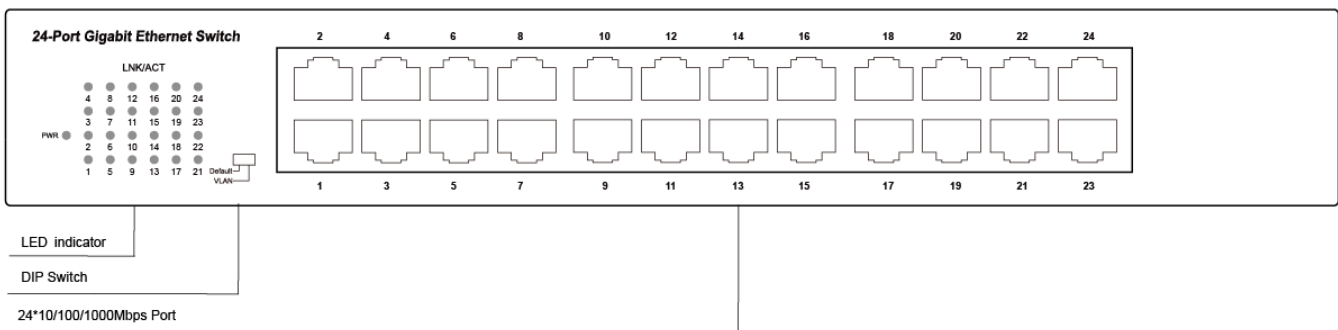
## Introduction

24GE provides Product have 24\*10/100/1000Mbps RJ45 port, Using store and forward technology, combined with dynamic memory allocation, to ensure the effective allocation of bandwidth to each port. The provides have VLAN mode , Users can choose to turn on or off according to the different application environment, improve network security and suppress the network storm, It is easy to manage and maintain which can meet a lot of networking environment, such as Business building, Community, Hotel, Office etc.

## Hardware Description

### Front Panel

The Front Panel Consists of Ethernet Ports. The LED indicators are also located on the panel.



### DIP Switch

The DIP switch located on the left panel.

**Default:** the factory default mode, can normal communication between port 1~24.

**VLAN:** 1-22 port can be isolated each other but 1-22 port can connect to 23-24 port after open VLAN to stop broadcast storm to increase forwarding rate of frame.

## LED indicator

LED	Color	Function
PWR	Green	Off: No Power supply. Light: Indicates the switch has power.
LNK/ACT	Green	Off: No device is connected to the corresponding port. Light: Indicates the link through that port is successfully established at 10/100/1000Mbps. Blink: Indicates that the Switch is actively sending or receiving data over that port.

## Rear Panel

The rear panel of the Switch indicates an AC inlet power socket, which accepts input power from 100 to 240V AC, 50/60HZ.



### Power socket

Connect the female connector of the power cord here, and the male connector to the AC(Alternating Current) power outlet. Please make sure the voltage of the power supply meets the requirement of the input voltage

### Grounding column

The switch already comes with lightning protection mechanism, for safety consideration, You should ground the switch through the PE (Protecting Earth) cable by Grounding Column.

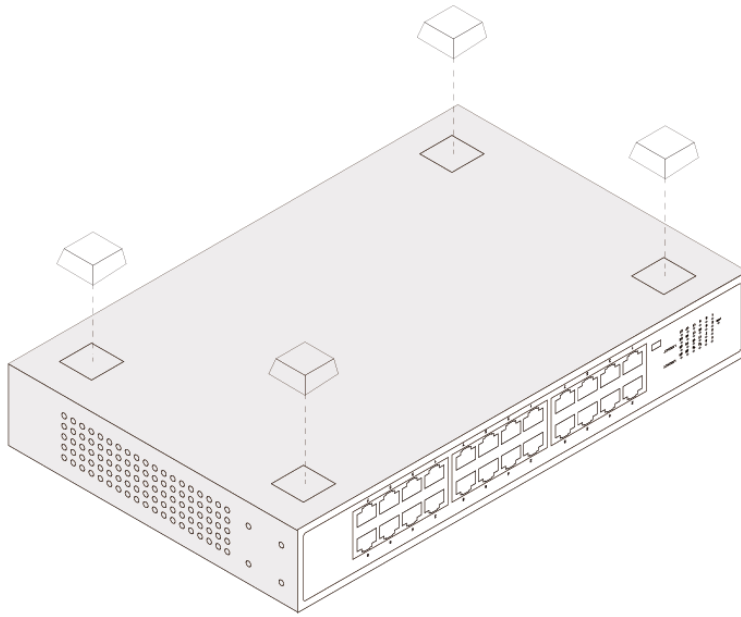
## Installation the Switch

This part describes how to install your Ethernet Switch and make connections to it. Please follow the following instructions in avoid of incorrect installation causing device damage and security threat.

- Before cleaning the switch, unplug the power plug of the switch first. Do not clean the switch with wet cloth or liquid;
- Do not place the switch near water or any damp area. Prevent water or moisture from entering the switch chassis;
- Do not place the switch on an unstable case or desk. The switch might be damaged severely in case of a fall;
- Ensure proper ventilation of the equipment room and keep the ventilation vents of the switch free of obstruction;
- Make sure that the operating voltage is the same one labeled on the switch;
- Do not open the chassis while the switch is operating or when electrical hazards are present to avoid electrical shocks.

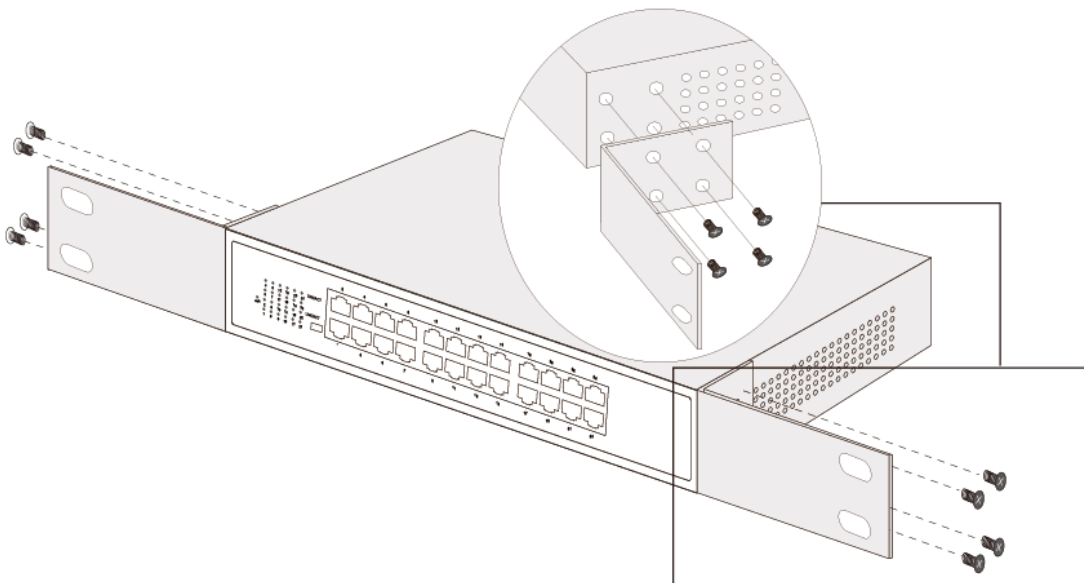
## Desktop Installation

Install the Switch on a desktop, please attach these cushioning rubber feet provided on the bottom at each corner of the Switch in case of the external vibration. Allow adequate space for ventilation between the device and the objects around it.



## Rack-mountable Installation

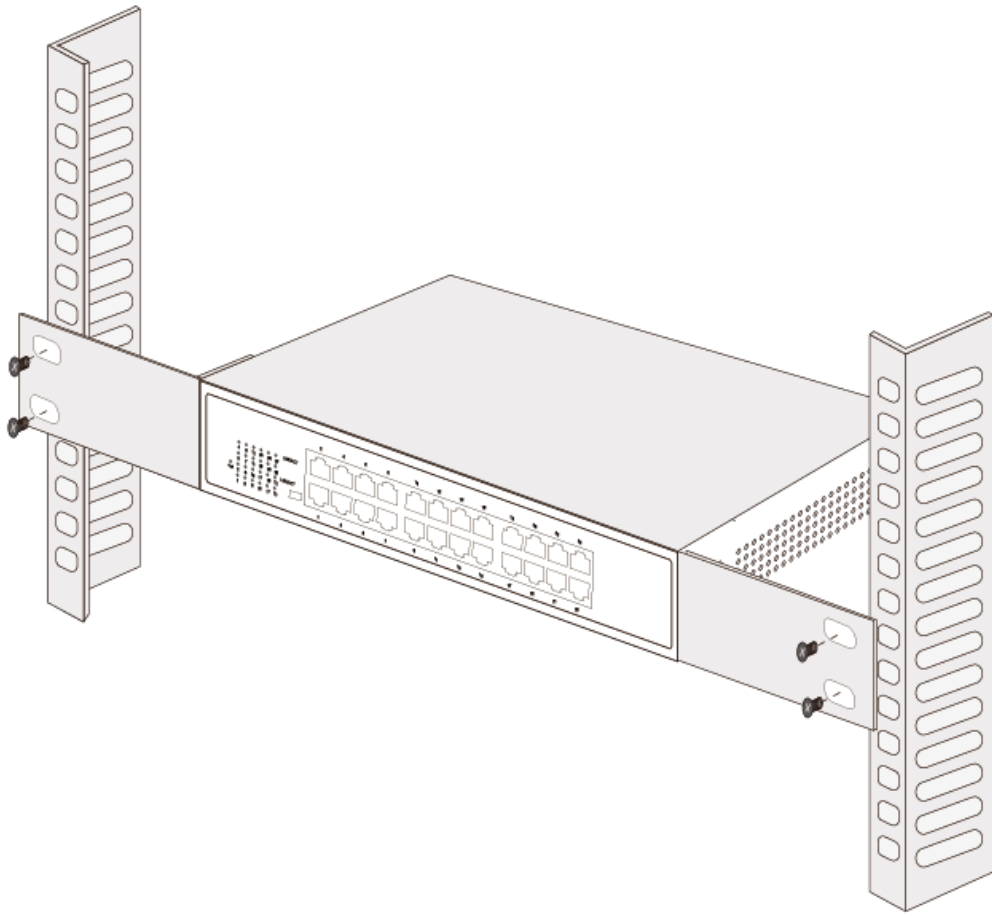
The switch is rack-mountable and can be installed on an EIA-19 inch equipment rack. To do this, first, please install the mounting brackets on the switch's side panels (one on each side), secure them with the included screws, and then use the screws provided with the equipment rack to mount the switch on the 19 inch rack.



## Turn on the switch

Please connect the AC power cord into the rear of the switch and to an electrical outlet (preferably one that is grounded ). When the switch is power on, the LED indicators flash momentarily for one second, which represents a resetting of the system. The Power LED indicator turns on green.

Note: Please confirm the voltage is correct before power on, otherwise the switch will be damaged.  
(The power input is: 100V-240Vac, 50/60Hz)



## Specifications

Model	24GE Ethernet Switch
Standard	IEEE802.3、IEEE802.3u、IEEE802.3ab、IEEE802.3z、IEEE802.3az、IEEE802.3x
Network Media	10BASE-T: UTP category 3,4,5 cable (≤100m) 100BASE-TX: UTP category 5 cable (≤100m) 1000BASE-T: UTP category 5e cable (≤100m)
MAC Address Table	8K, Auto-learning, Auto-aging
Transfer mode	Store-and-Forward
Frame Forward Rate	10Base-T: 14881pps/Port 100Base-TX: 148810pps/Port 1000Base-T/X: 1488095pps/Port
Switching Capacity	48Gbps
Forwarding Rate	35.7Mpps
Packet buffer	4.1M bit
Dimensions (L*W*H)	280 * 180 * 44 mm
Fan	Fanless
Power Input	AC: 100~240V, 50/60Hz
Temperature	Operating Temperature: 0°C ~ 40 °C (32 °F ~104°F ) Storage Temperature: -40 °C ~ 70 °C (-40 °F ~158°F )
Humidity	Operating Humidity: 10% ~ 90% non-condensing Storage Humidity: 5% ~ 90% non-condensing
Green energy saving	IEEE 802.3az
MTBF	>50000 hours

# 包装清单

小心打开包装盒，包装盒内应有以下物件：

- 交换机 ..... 一台
- 用户手册 ..... 一本
- 电源线 ..... 一根
- 安装附件（挂钩\*2、脚垫\*4、螺丝\*8）

如果发现物件损坏或者短缺的情况，请及时和当地经销商联系。

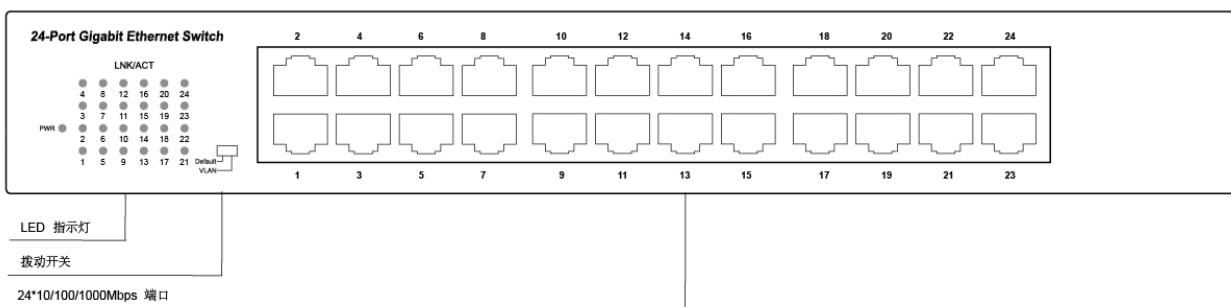
# 产品简介

24GE 提供 24 个 10/100/1000Mbps 自适应 RJ45 端口，所有 RJ45 端口均支持线速转发与自动翻转功能，采用存储转发技术，结合动态内存分配，确保带宽有效的分配到每一个端口。具有 VLAN 功能，用户可根据应用环境不同选择开启或关闭，提升网络安全及抑制网络风暴，提供完备的安全策略以及丰富的 VLAN 功能，易于管理跟维护，满足企业、小区、酒店、办公网及园区网的组网及接入要求。

# 外观描述

## 前面板

下列交换机前面板示意图：



## 拨动开关

Default：出厂默认模式，此模式下相当于一台普通的交换机，端口 1~24之间能正常通信。  
VLAN：VLAN 隔离模式将交换机的端口 1~22 与端口 23-24 分别划分为一个单独的VLAN。端口 1~23 只能与23-24进行通信。端口1-22 之间不能进行通信，保障网络的安全。此模式下请将端口23-24连接到中心交换设备。

## LED 指示灯

指示灯	颜色	描述
PWR	绿色	灭：没有连接设备 亮：设备正常连接
LNK/ACT	绿色	灭： 没有连接网络设备 常亮：连接到10/100/1000Mbps设备 闪烁：正在传输数据

## 后面板

交换机的后面板示意图: 交流电源接口, 电源输入范围为 100-240V AC, 50/60HZ。防雷接地柱和风扇。



## AC 电源接口

这是一个三相电源插座, 把电源线阴性插头接到这个接口上, 阳性插头接到交流电源上。

## 防雷接地柱

位于电源接口右侧, 请使用导线接地, 以防雷击。

## 安装设备

### 注意事项

为避免使用不当造成设备损坏及对人身伤害, 请遵从以下的注意事项:

- 在清洁交换机前, 应先将交换机电源插头拔出。不要用湿润的布料擦拭交换机, 不可用液体清洗交换机;
- 请不要将交换机放在水边或潮湿的地方, 并防止水或湿气进入交换机机壳;
- 请不要将交换机放在不稳定的箱子或桌子上, 万一跌落, 会对交换机造成严重损害;
- 应保持室内通风良好并保持交换机通气孔畅通;
- 交换机要在正确的电压下才能正常工作, 请确认工作电压同交换机所标示的电压相符;
- 为减少受电击的危险, 在交换机工作时不要打开外壳, 即使在不带电的情况下, 也不要随意打开交换机机壳;

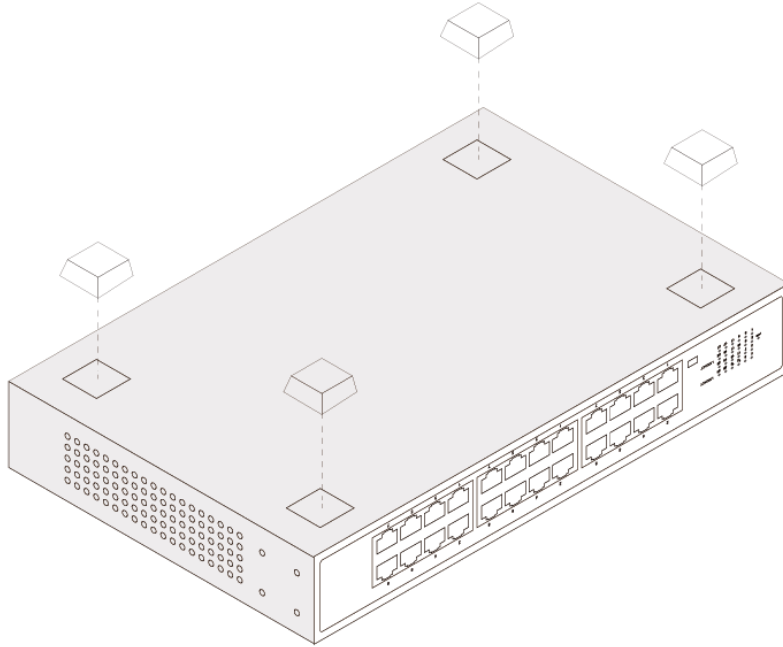


## 桌面安装

将交换机的底部朝上放置于足够大且稳定的桌面上；

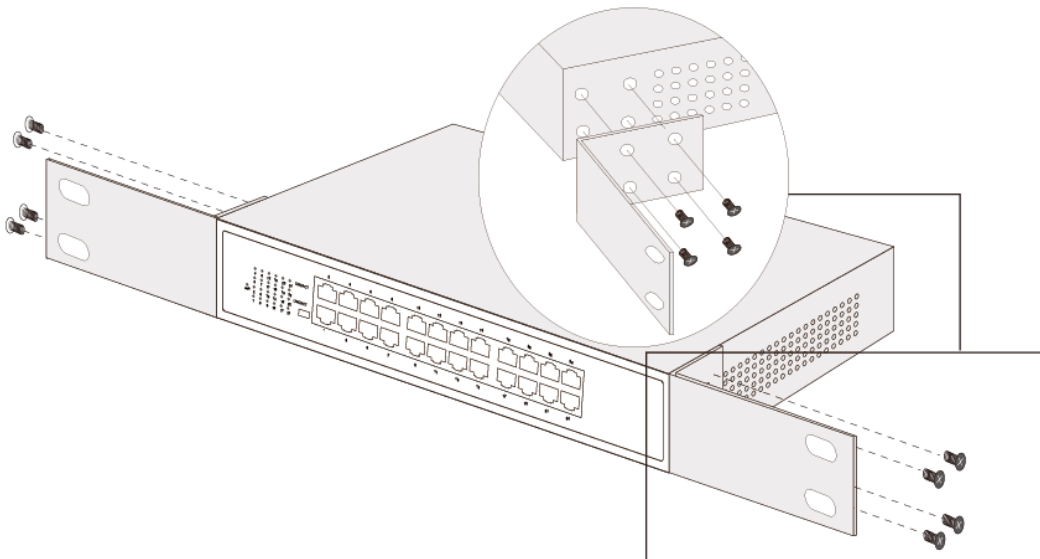
撕掉随机附带的脚垫表面的粘贴纸，将脚垫粘贴到交换机机壳底部的凹槽内以防外部振动；

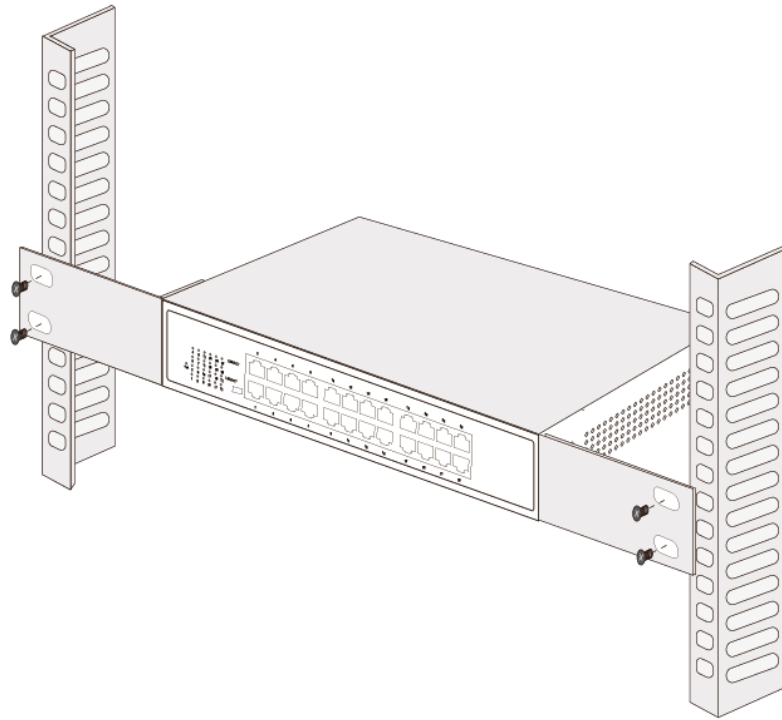
小心将交换机正置，放在工作台上。



## 机架式安装

检查 EIA-19inch 机柜的接地与稳定性，首先，用螺钉将安装挂耳固定在交换机前面板两侧，将交换机放置在机柜的一个托架上，沿机柜导槽移动交换机至合适位置，然后，用螺钉将安装挂耳固定在机柜两端的固定导槽上，确保交换机稳定地安装在机柜槽位的托架上。设备的挂耳并不用来承重，它只起固定作用。安装设备于机柜时，设备机箱的下边要有托架（固定在机柜上）来支撑设备。





## 开启交换机

接上电源线，插上插头，接通电源。开机以后，交换机将自动进行初始化，所有的端口指示灯全亮后熄灭，表示系统复位成功。电源 LED 指示灯一直常亮。

**注意：上电前请确认电压是否正确，否则将损坏设备。（电源输入范围 100-240V AC 50/60Hz）。**

## 技术规格

产品名	24GE
标准	IEEE802.3、IEEE802.3u、IEEE802.3ab、IEEE802.3z、IEEE802.3az、IEEE802.3x
网络介质	10BASE-T : Cat 3、4、5 非屏蔽类双绞线 ( ≤100m ) 100BASE-TX : Cat 5 及以上非屏蔽类双绞线 ( ≤100m ) 1000BASE-T : Cat 5e 及以上非屏蔽类双绞线 ( ≤100m )
MAC 地址表	8K, 自动学习, 自动更新
传输模式	存储转发
包转发速率	10Base-T : 14881pps/端口 100Base-TX : 148810pps/端口 1000Base-T/X : 1488095pps/端口
背板带宽	48Gbps
尺寸 (长*宽*高)	280*180*44mm
转发率	35.7Mpps
包缓存	4.1M bit
风扇	无
电源输入	AC: 100-240V , 50/60Hz
工作温度	0°C ~ 40 °C
存储温度	-40 °C ~ 70 °C
工作湿度	10% ~ 90% 无凝结
存储湿度	5% ~ 90% 无凝结
绿色节能	支持 IEEE 802.3az