

User Guide

24G SFP+4G Combo Managed Switch

Item Listing

Carefully open the box, inside box should have the following items:

Switch * 1

User manual * 1

Power cord *1

Mounting accessories (hook*2; MATS*4; screw*8)

If damage or shortage of found objects, Please contact local dealers.

1. Product description

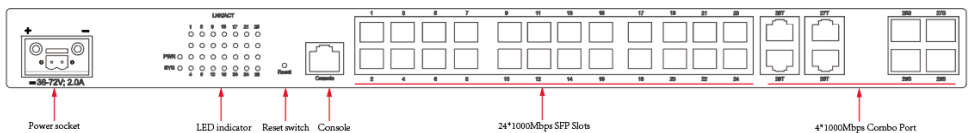
24G SFP+4G Combo provides rich layer 2 management functions, excellent performance and friendly management interface, which can fully meet the needs of users.

The configuration includes system configuration, port configuration, MAC binding, MAC filtering, VLAN configuration, SNMP configuration, ACL configuration, QOS configuration, BASIC IP configuration, AAA configuration, MSTP configuration, and IGMP configuration SNOOPING configuration, GMRP configuration, EAPS configuration, RMON configuration, cluster management, ONVIF configuration, ERPS configuration, log management.

2. Appearance description

2.1 The front panel

The 24G SFP+4G Combo by 24*1000Mbps and 4*1000Mbps Combo, one console port, a reset switch, and a related indicator, Power socket as shown below:



LED indicator light

LED	Color	Description
PWR	Green	Death: switch does not power on Permanent: the switch is powered on
System	Green	Blinking: the system works Out: the system is starting or has no power
LNK/ACT	Green	Death: not connected to the network equipment Green light: connected to 10/100/1000Mbps devices Blinking: connected devices are data transmission

Reset switch

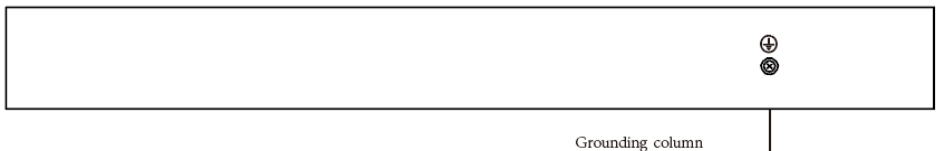
Hold down the reset switch until the system indicator stops blinking. Then the switch will restart automatically. After the restart, the system restores to the default Settings.

DC power interface

The DC input range is 36-72V

2.2 Back panel

Back panel: The 24G SFP+4G Combo Switch have DC power connector, DC input range 36-72V, a grounding screw holes, as shown below:



Note:

This device relies on the separate protective earthing terminal. The device installation shall be permanently connected to building earth by a skilled person.

The device shall be intended to be used in a location having equipotential bonding (such as a telecommunication center, a dedicated computer room, or a restricted access area).

Grounding column

Be sure to use grounding wires to prevent lightning strikes.

3. Installation of equipment

Announcements

To prevent equipment damage and personal injury caused by improper use, please observe the following precautions:

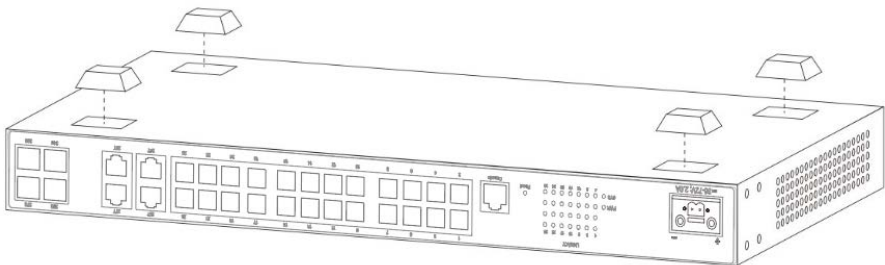
- Before cleaning the switch, remove the power plug from the switch. Do not use wet cloth to wipe the switch and avoid using liquid to clean the switch.
- Do not place the switch near water or in a damp place, and prevent water or moisture from entering the switch housing;
- Do not place the switch on an unstable box or table. In case of a drop, the switch may be seriously damaged.
- Keep the room well ventilated and keep the switch vent unblocked;
- The switch must work at the correct voltage. Make sure that the working voltage is consistent with the voltage marked on the switch.
- To reduce the risk of electric shock, do not open the cover of the switch while it is working. Do not open the cover of the switch at will, even when it is not charged.

3.1 Desktop installation

Place the switch with the bottom facing up on a large and stable table;

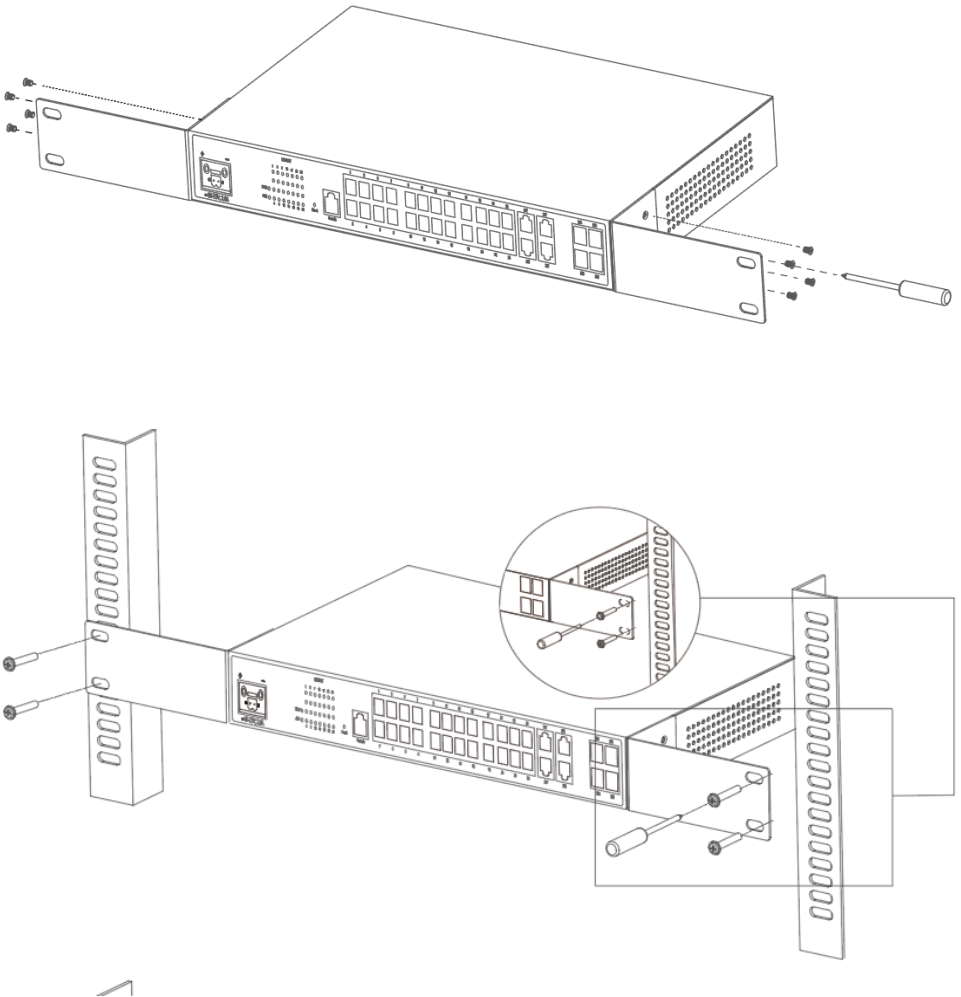
Tear the adhesive paper on the surface of the attached footpad, and paste the footpad into the groove at the bottom of the switch housing to prevent external vibration;

Carefully set the switch upright and place it on the workbench.



3.2 Rack Installation

Check EIA-19inch machine Cabinet of grounding and stability, first, with screws will installation hanging ear fixed in switch front Panel sides will switch placed in machine Cabinet of a bracket, along machine Cabinet guide slot Mobile switch to right location, then, with screws will installation hanging ear fixed in machine Cabinet ends of fixed guide slot, ensure switch stable to installation in machine Cabinet slot bit of bracket. Equipment mounting brackets are not used for load-bearing; it only plays the regular role. When installing the equipment cabinet, box bottom bracket (fixed on the Cabinet) to support the device.



3.3 Turn on switch

Insert one end of the supplied power cable into the ac jack of the device and connect the other end to an external DC power socket. After the system is powered on, the power indicator is steady on. All port data indicators blink once and then off. When the system indicator is steady on, the system initialization is complete. Each port indicator indicates the port connection status, indicating that the switch starts to work properly

Caution: Before powering on the device, ensure that the voltage is correct. Otherwise, the device may be damaged. (Power input range 36-72V/DC)

Specifications

Model	24G SFP+4G Combo
Standard	IEEE 802.3 IEEE 802.3u, IEEE 802.3ab, IEEE 802.3z, IEEE 802.3x, IEEE 802.1X, IEEE 802.1q, IEEE 802.1p, IEEE 802.1d, IEEE 802.1w, IEEE 802.3ad
Network Media	10BASE-T: UTP category 3, 4, 5 cable ($\leq 100\text{m}$) 100BASE-TX: UTP category 5 cable ($\leq 100\text{m}$) 1000BASE-T: UTP category 5e, 6 cable ($\leq 100\text{m}$) 1000Base-X: MMF or SMF SFP Module (optional)
MAC Address Table	16K, Auto-learning, Auto-aging
Transfer mode	Store-and-Forward
Switching Capacity	56G
Dimensions (L*W*H)	440*207*44mm
Fan	1*Fan
Power Input	36-72V/ DC
Operating Temperature	0° C ~ +40° C
Storage Temperature	-40° C ~ +70° C
Operating Humidity	10% ~ 90% non-condensing
Storage Humidity	5% ~ 90% non-condensing