

User Guide

95W PoE Injector

Package Contents

Check the following contents of your package:

- PoE Injector x 1
- User Guide x 1
- Power Cord x 1
- Feet x 4

If any part is lost and damaged, please contact your local agent immediately.

Introduction

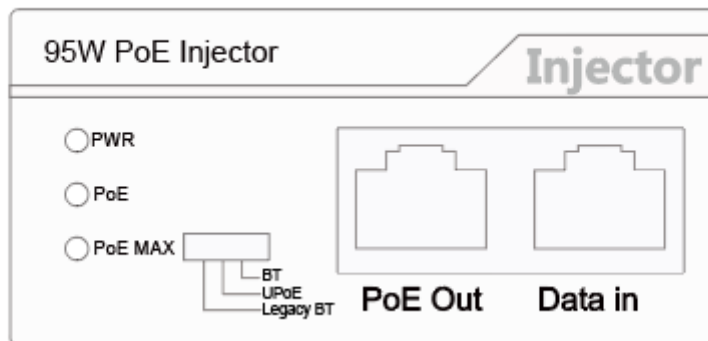
PM9501GIN V6 Gigabit span adopts 4-pair power supply mode, which fully conforms to IEEE 802.3af/at/bt standard. It can load electric energy on the network cable for transmission, and the maximum transmission distance is 100m.

Automatic detection and identification of electrical equipment in accordance with IEEE 802.3af/at/bt standards, and automatically match the output power for its power supply. For terminals that do not support the PoE function, a PoE separator can be used together to expand the traditional power line network and reduce power line usage.

Hardware Description

Front Panel

The front panel consists of PSE output port, data uplink port and related indicators, as shown below:



Intelligent display of PoE power supply

When using the PoE power supply to connect the PD equipment, you should wait patiently for about 10S.

BT/UPoE/legs model

BT: PD devices that fully support IEEE802.3BT standards;

Legacy BT: PD devices that support capacitive or resistance electronic tag;

UPoE: PD devices that support Cisco UPoE standards or PoH standards.

LED indicator

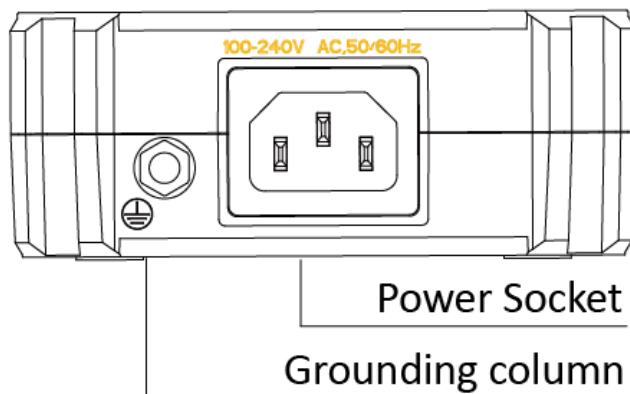
LED	Color	Function
PWR	Green	Off: No Power supply. Light: Indicates the machine has power.
PoE	Green	Off: No PoE powered device (PD) connected. Light: There is a PoE PD connected to be port, which Supply power successfully. Blink: Indicates port abnormal power supply.
PoE MAX	Green	When the output power reaches 80%, the PoE MAX indicator is green on

Grounding column

The machine already comes with lightning protection mechanism. You can also ground the machine through the PE (Protecting Earth) cable of AC cord or with Ground Cable.

Rear Panel

The rear panel of AC inlet power socket and Grounding column.



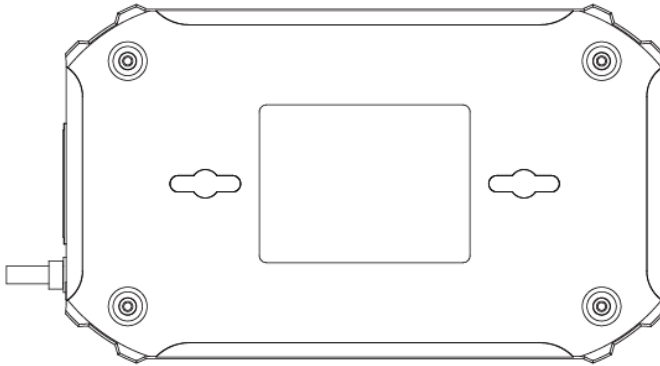
Installation

This part describes how to install your machine and make connections to it. Please follow the following instructions in avoid of incorrect installation causing device damage and security threat.

- Before cleaning the machine, unplug the power plug of the machine first. Do not clean the machine with wet cloth or liquid;
- Do not place the machine near water or any damp area. Prevent water or moisture from entering the machine chassis;
- Do not place the machine on an unstable case or desk. The machine might be damaged severely in case of a fall;
- Ensure proper ventilation of the equipment room and keep the ventilation vents of the machine free of obstruction;
- Make sure that the operating voltage is the same one labeled on the machine;
- Do not open the chassis while the machine is operating or when electrical hazards are present to avoid electrical shocks.

Desktop Installation

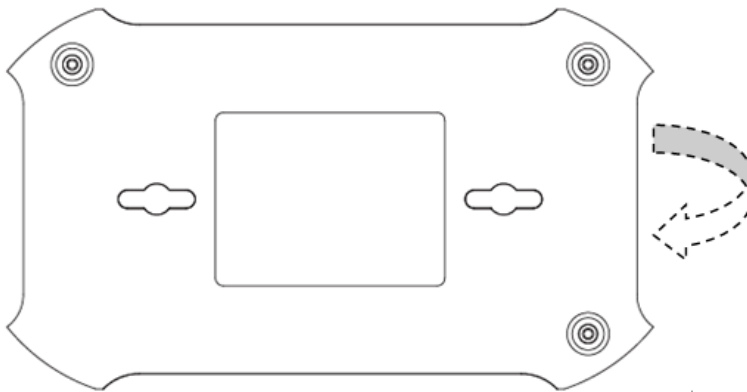
Carefully position the machine on the work table. (Check whether the machine is properly attached to the mat, so as not to slip).



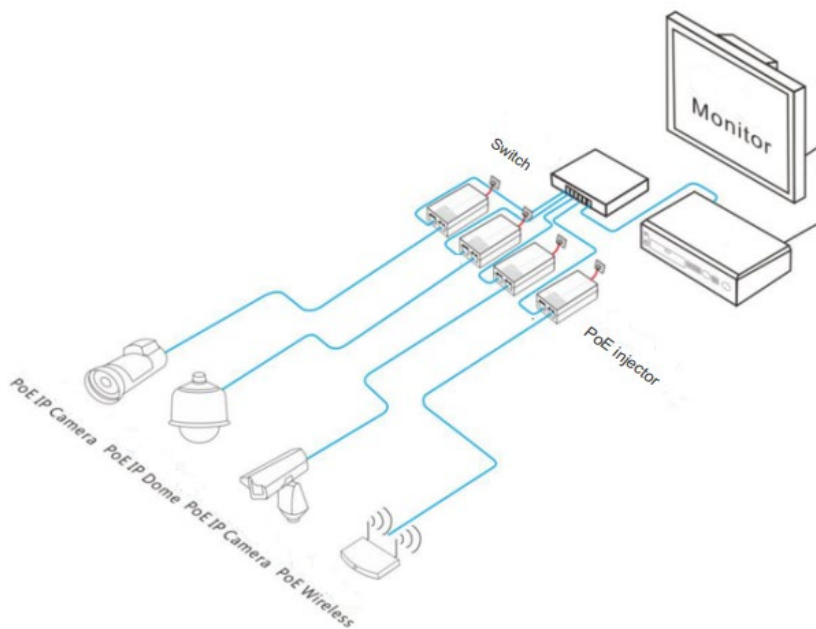
Wall-mounted installation

Please follow these steps to install the machine:

First fix two screws on the wall as shown in the picture below to align the two fixing holes of the machine and hang the machine smoothly on the screws.



Application diagram of PoE injector:



Power on

The machine can be used with AC power supply. Powering on the machine, it will automatically initialize and its LED indicators will respond as follows:

Firstly, the Power LED indicator will light up.

Then, the data LED indicators will flash momentarily for one second, which represents a resetting of the system.

Specifications

Model	95W PoE Injector
Port	Data in port:1 x 10/100/1000Mbps RJ45 port PoE out port : 1*10/100/1000Mbps RJ45 port
Standard	IEEE802.3, IEEE802.3u, IEEE802.3ab, IEEE802.3af, IEEE802.3at, IEEE802.3bt
Network Media(Cable)	10BASE-T: UTP category 3,4,5 cable (≤100m) 100BASE-TX: UTP category 5 cable (≤100m) 1000BASE-T: UTP category 5e cable (≤100m)
Dimensions (L*W*H)	160*94*40mm
mains input	AC 100V-240V 50/60Hz 2A MAX
Function keys	Legacy Bt/Bt/UpoE
PoE power output	DC 55V Power 95W
PSE Power on RJ-45	4 Pair Data Pairs 1/2(-),3/6(+) Spare Pairs 4/5(+),7/8(-)
PoE Output	95W(Max)
Temperature	Operating Temperature: 0°C ~ 40 °C (32 °F ~104°F) Storage Temperature: -40 °C ~ 70 °C (-40 °F ~158°F)
Humidity	Operating Humidity: 10% ~ 90% non-condensing Storage Humidity: 5% ~ 90% non-condensing