

User Guide

8FE (PoE)+2G Combo Colorful LCD Display PoE Switch

Package Contents

Check the following contents of your package:

- PoE Switch x 1
- User's Manual x 1
- Power Cord x 1
- Accessories(hanging ears*2, Rubber Feet*4, screw*8)

If any part is lost and damaged, please contact your local agent immediately.

1. Introduction

Thank you for choosing UNIPOE PoE Switch. The PM3012FSFL V4 Provides have 8-10/100Mbps PoE RJ45 Port and 2-Gigabit Combo port. Its PoE ports can automatically detect and supply power with those IEEE 802.3af/at compliant Powered Devices (PD). The electrical power is transmitted along with data in one single cable allowing you to expand your network where there are no power lines or outlets, where you wish to fix devices such as AP, IP Cameras or IP Phones, etc.

The LCD not only can display the PoE work status, accurate judgment port of load, can also help customer and engineer timely discover and solve the network failure, improve work efficiency and quality.

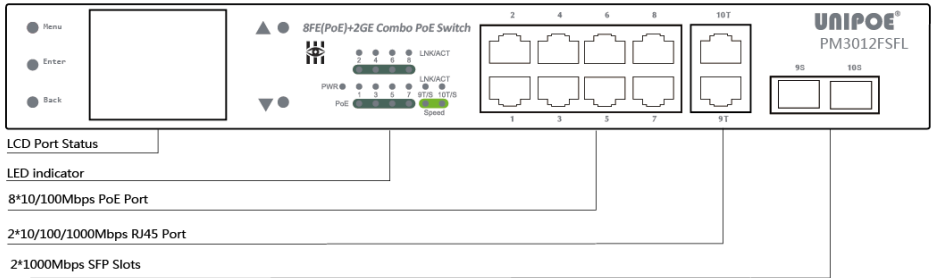
Port Feature

Model	10/100Mbps RJ45 Port	Gigabit RJ45 Port	Gigabit SFP Port	LCD Display	PSE Port
PM3012FSFL V4	Port1~8	Port9T~10T	Port9S~10S	Support	Port1~8

2. Hardware Description

2.1 Front Panel

The Front Panel of the PoE Ethernet Switch Consists of Ethernet Ports. The LCD Display and LED indicators are also located on the panel

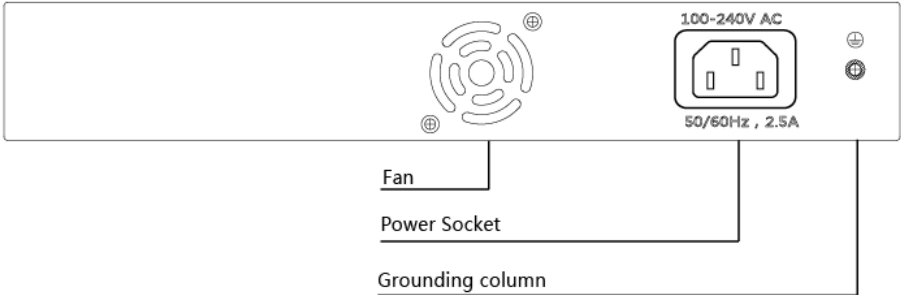


LED indicator

LED	Color	Function
PWR	Green	Off: No Power supply. Light: Indicates the switch has power.
LNK/ACT	Green	Off: No device is connected to the corresponding port. Light: Indicates the link through that port is successfully established at 10/100Mbps. Blink: Indicates that the Switch is actively sending or receiving data over that port.
PoE	Orange	Off: No PoE powered device (PD) connected. Light: There is a PoE PD connected to be port, which supply power successfully. Blink: Indicates port abnormal power supply.
Speed	Green	Off: No connection or 10/100Mbps Light: Indicates the link through established at 1000Mbps.

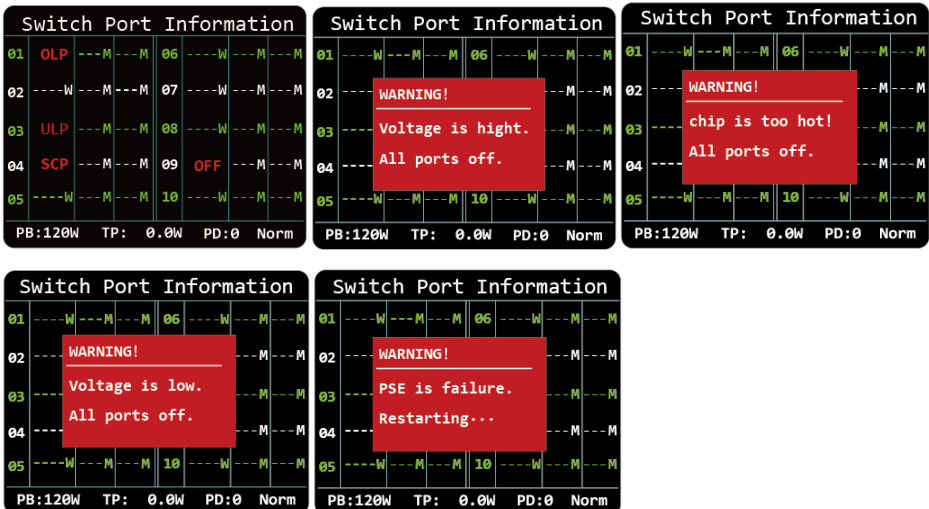
Rear Panel

The rear panel of the PoE Switch indicates an AC inlet power socket, which accepts input power from 100 to 240V AC, 50/60HZ.



LCD Features

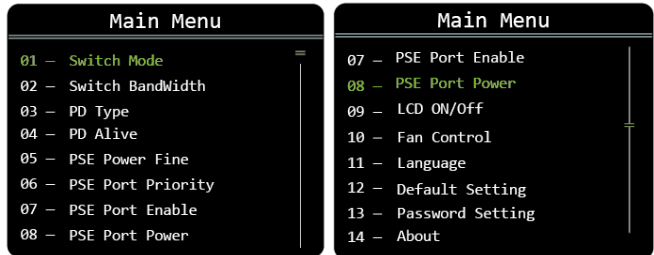
The PoE Switch with the function of the LCD display and PoE. The LCD can display the working condition of PoE port not only, still can accurately show the state of each port such as :Output power,Overload,Short circuit,Light load ,Low voltage ,Over voltage High temperature, and so on



Not only such visible on the basis of three generations in the second generation increases the color logo, according to the menu button, switch mode, bandwidth display and warning, PD type, PSE power fine-tuning and priority, PoE port switch control, LCD switch. Enhance the LCD viewing angles, smart fan control, language selection and the function of the factory Settings, in turn, as shown in the figure below: **See the operation instructions of the screen concretely.**

UNIPOE®
Safe Stable Unique

www.unipoe.com



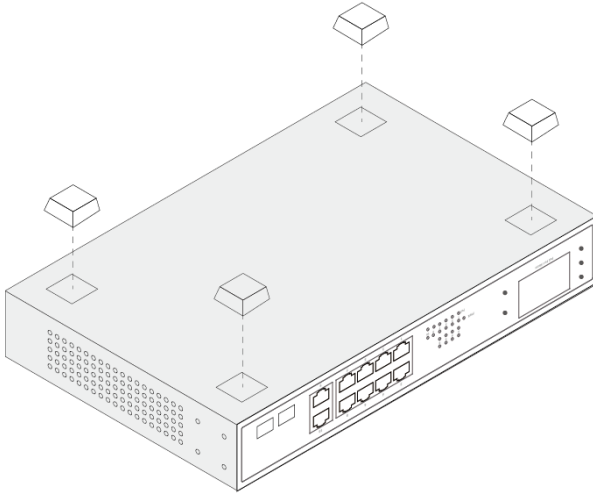
3. Installation the Switch

This part describes how to install your Ethernet Switch and make connections to it .Please follow the following instructions in avoid of incorrect installation causing device damage and security threat.

- Before cleaning the switch, unplug the power plug of the switch first. Do not clean the switch with wet cloth or liquid;
- Do not place the switch near water or any damp area. Prevent water or moisture from entering the switch chassis;
- Do not place the switch on an unstable case or desk. The switch might be damaged severely in case of a fall;
- Ensure proper ventilation of the equipment room and keep the ventilation vents of the switch free of Obstruction;
- Make sure that the operating voltage is the same one labeled on the switch ;
- Do not open the chassis while the switch is operating or when electrical hazards are present to avoid electrical shocks;

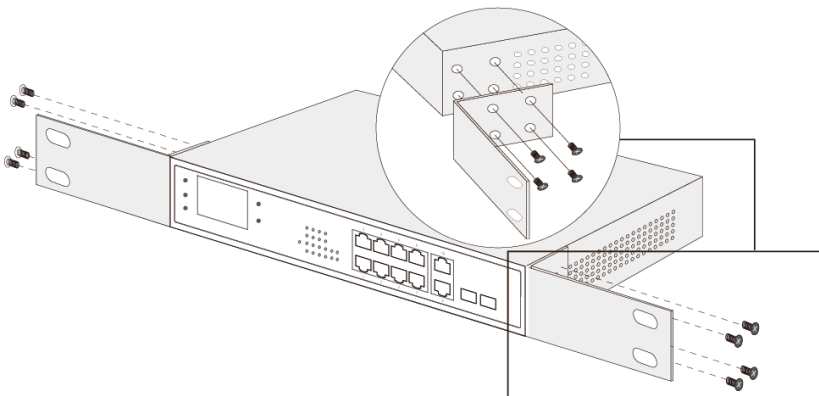
Desktop Installation

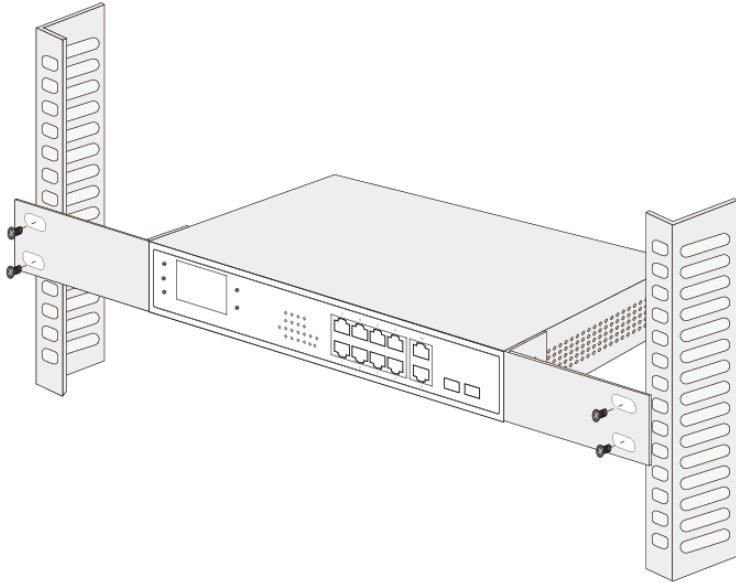
Install the Switch on a desktop, please attach these cushioning rubber feet provided on the bottom at each corner of the Switch in case of the external vibration. Allow adequate space for ventilation between the device and the objects around it.



3.2.Rack mountable Installation

The switch is rack-mountable and can be installed on an EIA-19 inch equipment rack. To do this, first, please install the mounting brackets on the switch's side panels (one on each side), secure them with the included screws, and then use the screws provided with the equipment rack to mount the switch on the 19 inch rack.





3.3 Turn on the switch

Please plug the power supply into the switch, the internal power system of the switch can Auto-regulate the working power according to the actual input power. When the switch is power on, the power indicator will be light on the front panel of the switch shines.

Note: Please confirm the voltage is correct before power on, otherwise the switch will be damaged.

(There is a power supply socket on the back panel of the PoE Ethernet switch. The power input is: 100V-240Vac, 50/60Hz.)

Specifications

Model	8FE(PoE)+2G Combo Colorful LCD Display PoE Switch
Standard	IEEE802.3, IEEE802.3u, IEEE802.3ab, IEEE802.3z, IEEE802.3x, IEEE802.3af, IEEE802.3at
Network - Media(Cable)	10BASE-T: UTP category 3,4,5 cable (≤100m) 100BASE-TX: UTP category 5 cable (≤100m) 1000BASE-T: UTP category 5e cable (≤100m) 1000BASE-X: MMF or SMF SFP module(Optional)
LCD Display	Support
MAC Address Table	16K, Auto-learning, Auto-aging
Transfer mode	Store-and-Forward
Frame Forward Rate	10Base-T: 14881pps/Port 100Base-TX: 148810pps/Port 1000Base-T/X: 1488095pps/Port
Switching Capacity	5.6Gbps
Dimensions (L*W*H)	280*180*44mm
Fan	Fan
Power Input	AC: 100~240V, 50/60Hz
PoE Port	Port1~8
PoE Power on RJ45	port: Mode A 1/2(+),3/6(-)
PoE Power Output	Voltage: 55V DC Power: 32W(Max)
PoE Power Budget	120W
PoE Power total	130W
Temperature	Operating Temperature: -5°C ~ 50 °C (23 °F ~122°F) Storage Temperature: -40 °C ~ 70 °C (-40 °F ~158°F)
Humidity	Operating Humidity: 10% ~ 90% non-condensing Storage Humidity: 5% ~ 90% non-condensing

