

User Guide

8GE(PoE)+ 2GE+2SFP Ethernet Managed PoE Switch

Item Listing

Carefully open the box, inside box should have the following items:

PoE Switch * 1

User manual * 1

Power cord *1

Mounting accessories(hook*2; MATS*4; screw*8)

If damage or shortage of found objects, please contact local dealers.

1.Product description

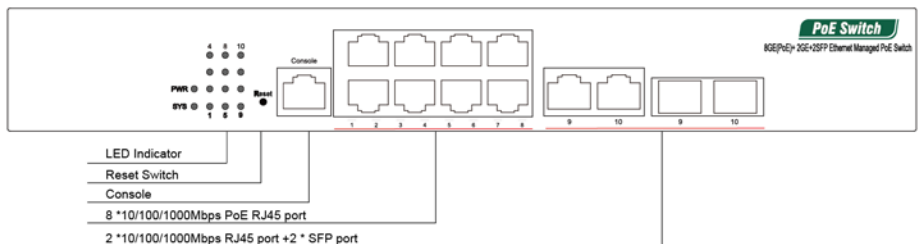
It provides rich of two layer management function, has excellent of performance and friendly of management interface, can full meet user of need, including system configuration, and port configuration, and MAC bound, and MAC filter, and VLAN configuration, and SNMP configuration, and ACL configuration, and QOS configuration, and IP basic configuration, and AAA configuration, and MSTP configuration, and IGMP SNOOPING configuration, and GMRP configuration, and EAPS configuration, and RMON configuration, and cluster management, and ERPS configuration, and log management, and PoE configurations.

1-8 ports support PoE feature, support IEEE802.3af/802.3at standard, automatic detection and identification in accordance with standards of electrical equipment, and through the network cable for the power supply.

2.Appearance description

2.1 The front panel

PoE Switch front panel:

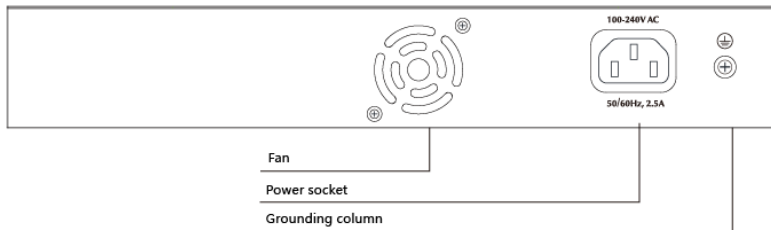


LED indicator light

LED	Color	Description
PWR	Green	Death: switch does not power on Permanent: the switch is powered on
SYS	Green	Blinking: the system works Out: the system is starting or has no power
LNK/ACT	Green	Death: not connected to the network equipment Green light: connected to 10/100/1000Mbps devices Blinking: connected devices are data transmission
PoE	Orange	Death: port is not for terminal equipment power supply Permanent: electrical equipment connected with it, and the normal power supply

2.2 Back panel

Back panel: AC power connector, AC input range 100-240V, 50/60HZ, a grounding screw holes.



3. Installation of equipment

Announcements

To prevent equipment damage and personal injury caused by improper use, please observe the following precautions:

Before cleaning switch should switch power supply plug pulled out. Do not use wet cloth to wipe the switch, do not use liquid to clean the switch;

Do not switch on the water or wet places, and prevent water or moisture from entering the switch chassis;

Do not place the switch box in unstable or table, in case of fall, will cause serious damage to the switch;

Should maintain good indoor ventilation and keep the ventilation holes of the switch open;

Switch to the proper voltage to work properly, make sure the switch working voltage matches the voltage indicated;

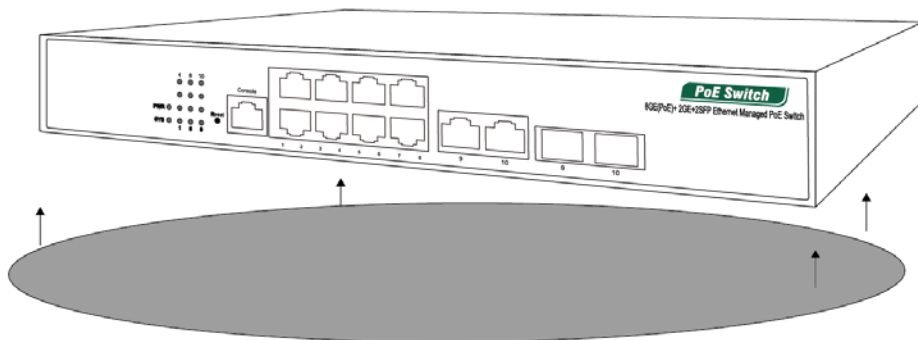
To reduce the risk of electric shocks, switches, do not open the enclosure, even in neutral situations or don't turn on the switch chassis.

3.1 Desktop installation

Placed the bottom of the switch on large enough and stable desktop;

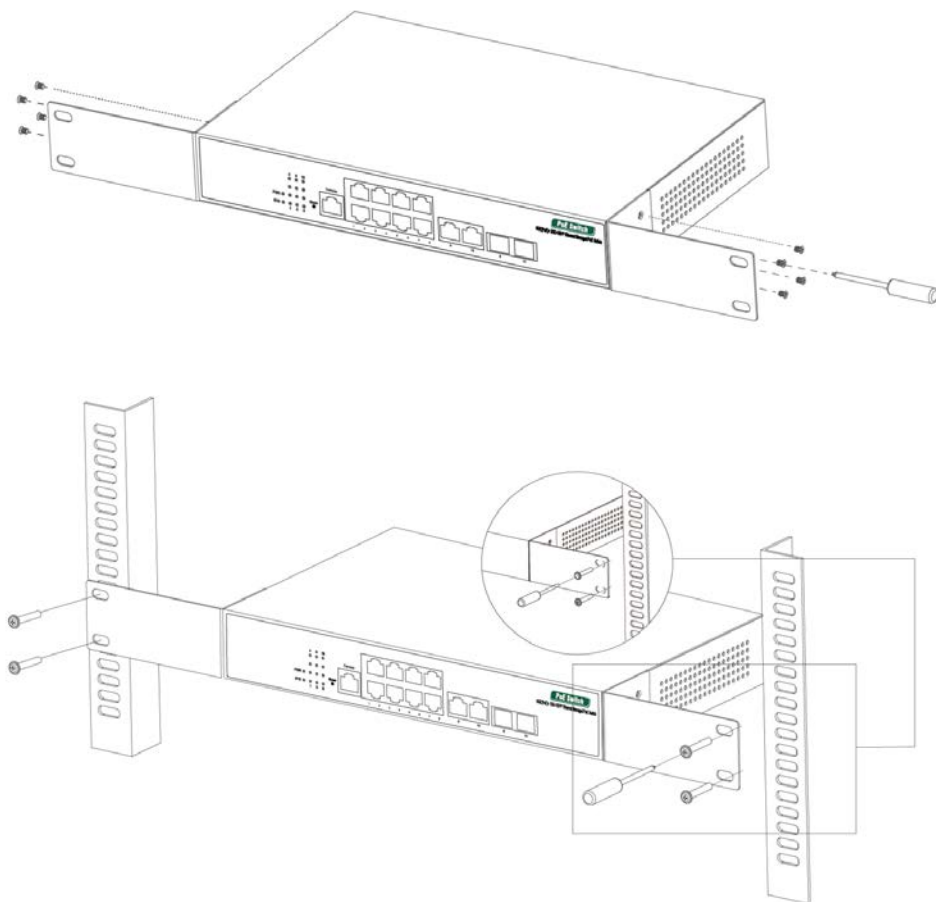
Tear off pad surface of the paste that comes with random paper, paste the pad to switch the Groove at the bottom of the housing to prevent external vibrations;

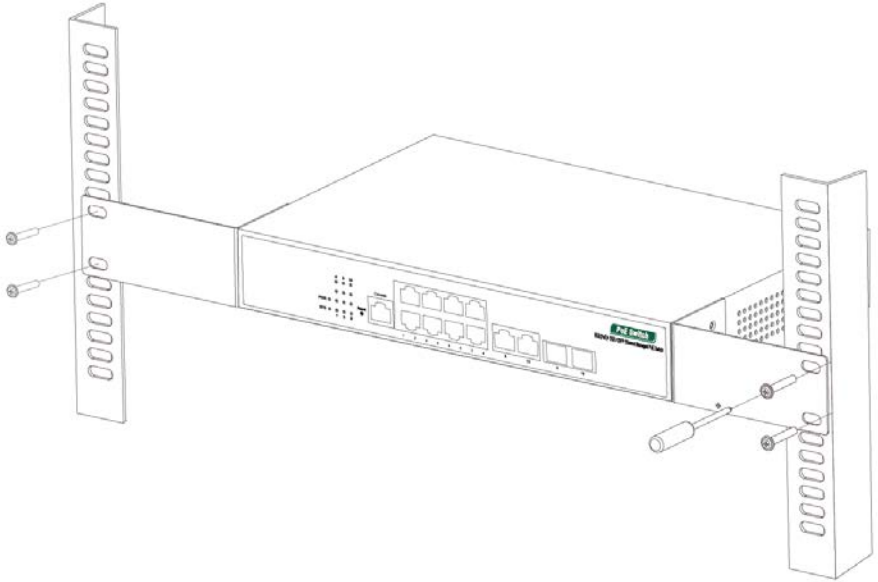
Resetting the switch on the Workbench cautiously.



3.2 Rack Installation

Check EIA-19inch machine Cabinet of grounding and stability, first, with screws will installation hanging ear fixed in switch front Panel sides will switch placed in machine Cabinet of a bracket, along machine Cabinet guide slot Mobile switch to right location, then, with screws will installation hanging ear fixed in machine Cabinet ends of fixed guide slot, ensure switch stable to installation in machine Cabinet slot bit of bracket. Equipment mounting brackets are not used for load-bearing, it only plays the regular role. When installing the equipment cabinet, box bottom bracket (fixed on the Cabinet) to support the device.





3.3 Turn on switch

Please connect the AC power cord into the rear of the switch and to an electrical outlet (preferably one that is grounded). When the switch is power on, the LED indicators flash momentarily for one second, which represents a resetting of the system.The Power LED indicator turns on green.

Note: Please confirm the voltage is correct before power on, otherwise the switch will be damaged.
(The power input is:100V-240Vac, 50/60Hz.)

Specifications

Model	8GE(PoE)+ 2GE+2SFP Ethernet Managed PoE Switch
Standard	IEEE 802.3、IEEE 802.3u、IEEE 802.3ab 、IEEE 802.3z、IEEE 802.3x、IEEE 802.1X、IEEE 802.1q 、IEEE 802.1p、IEEE 802.1d 、IEEE 802.1w、IEEE 802.3ad、IEEE802.3af、IEEE802.3at
Network Media	10BASE-T: UTP category 3,4,5 cable (≤100m) 100BASE-TX: UTP category 5, 5e cable (≤100m) 1000BASE-T: UTP category 5e, 5 cable (≤100m) 1000BASE-X: MMF, SMF
MAC Address Table	8K, Auto-learning, Auto-aging
Transfer mode	Store-and-Forward
Frame Forward Rate	10Base-T: 14881pps/port 100Base-TX: 148810pps/ port 1000Base-T: 1488095pps/ port
Switching Capacity	24Gbps
Dimensions (L*W*H)	280*180*44mm
Fan Quantity	1
Power Input	100-240V AC, 50/60Hz
PoE Port	Port 1~8
PoE Power on RJ45	Mode A 1/2 (+) , 3/6 (-)
PoE Power Output	Voltage: 55V Power: 32W(Max)
PoE Power Budget	130W
Power Supply	150W
OperatingTemperature	0° C ~ +40 ° C
Storage Temperature	-40 ° C ~ +70 ° C
Operating Humidity	10% ~ +90% non-condensing
Storage Humidity	5% ~+ 90% non-condensing