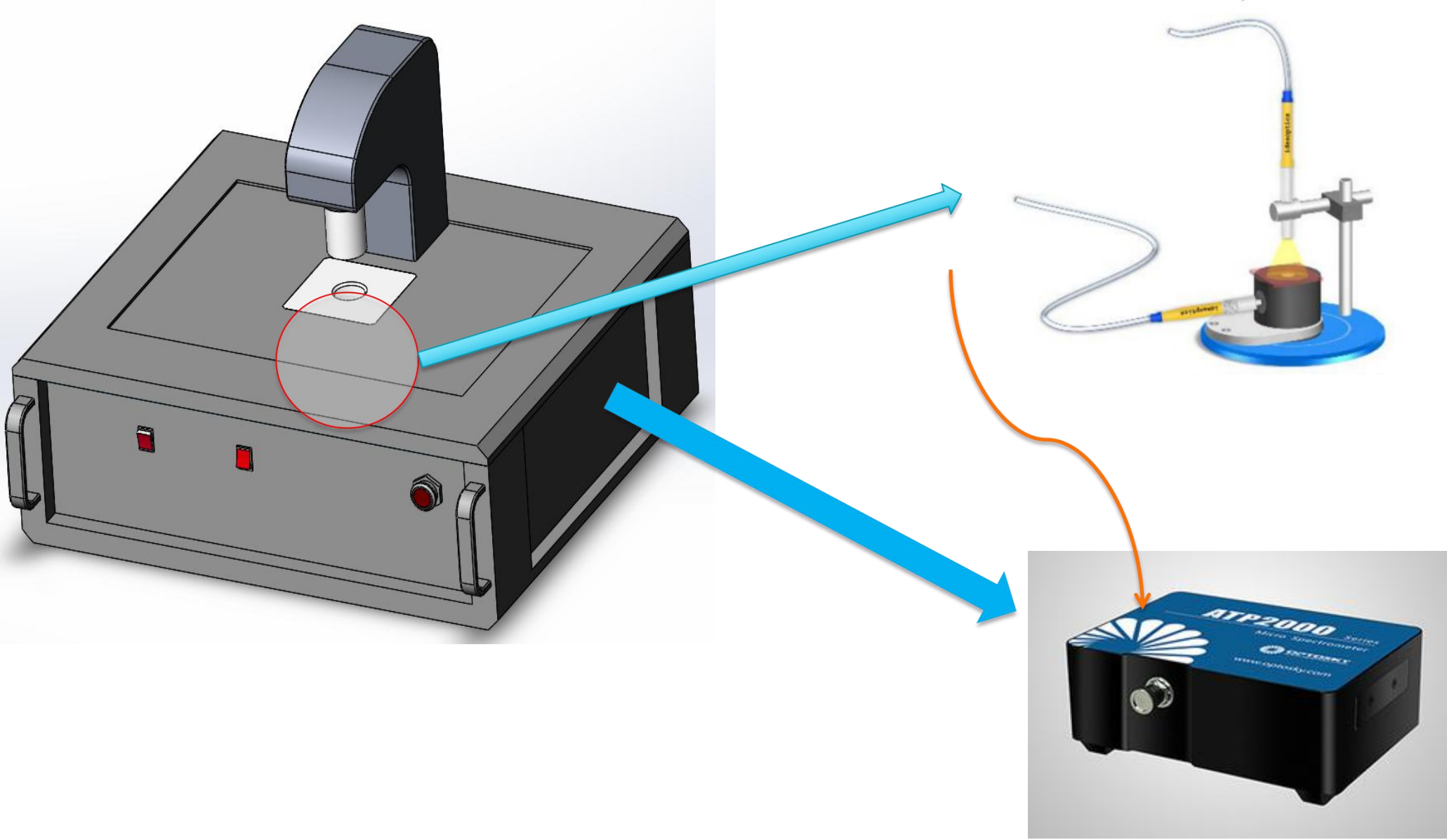


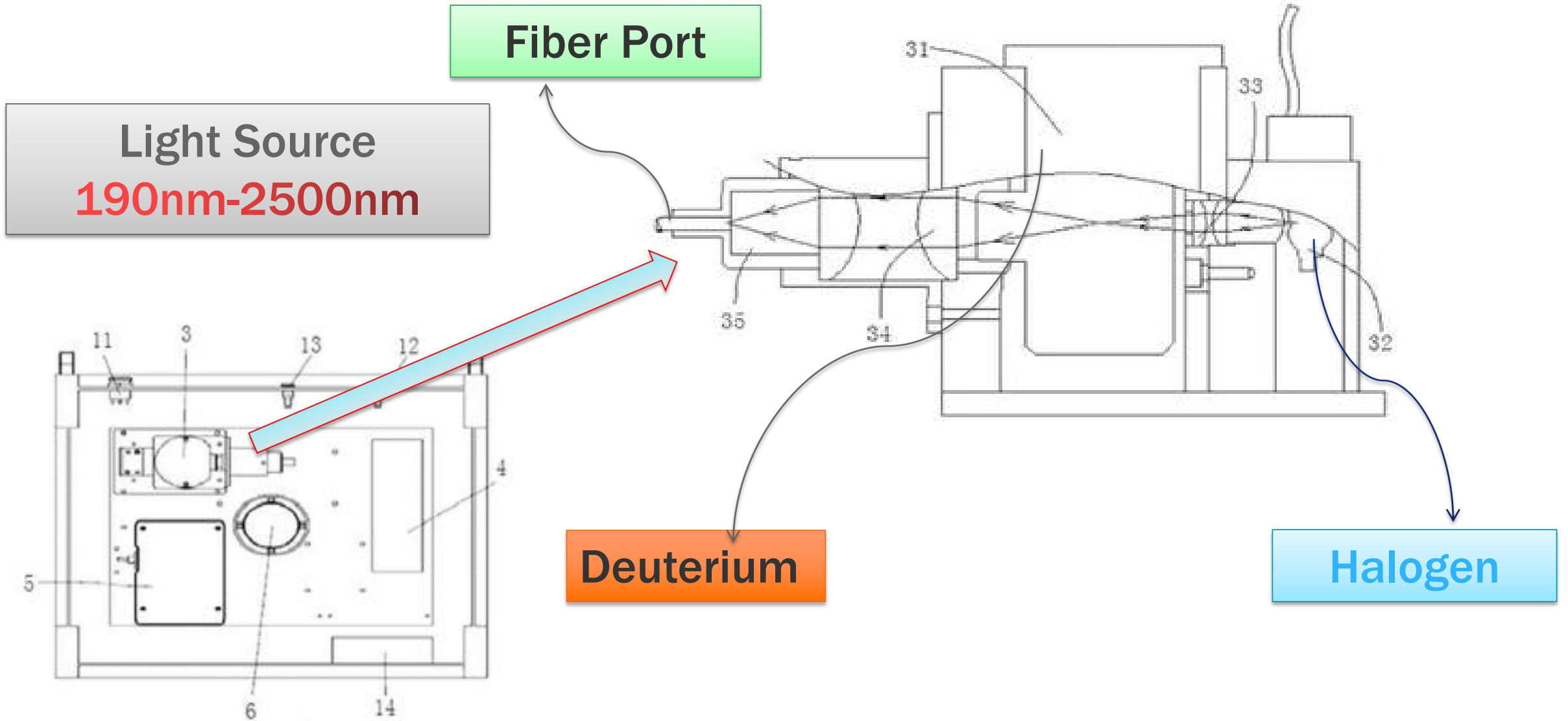
ATGX500

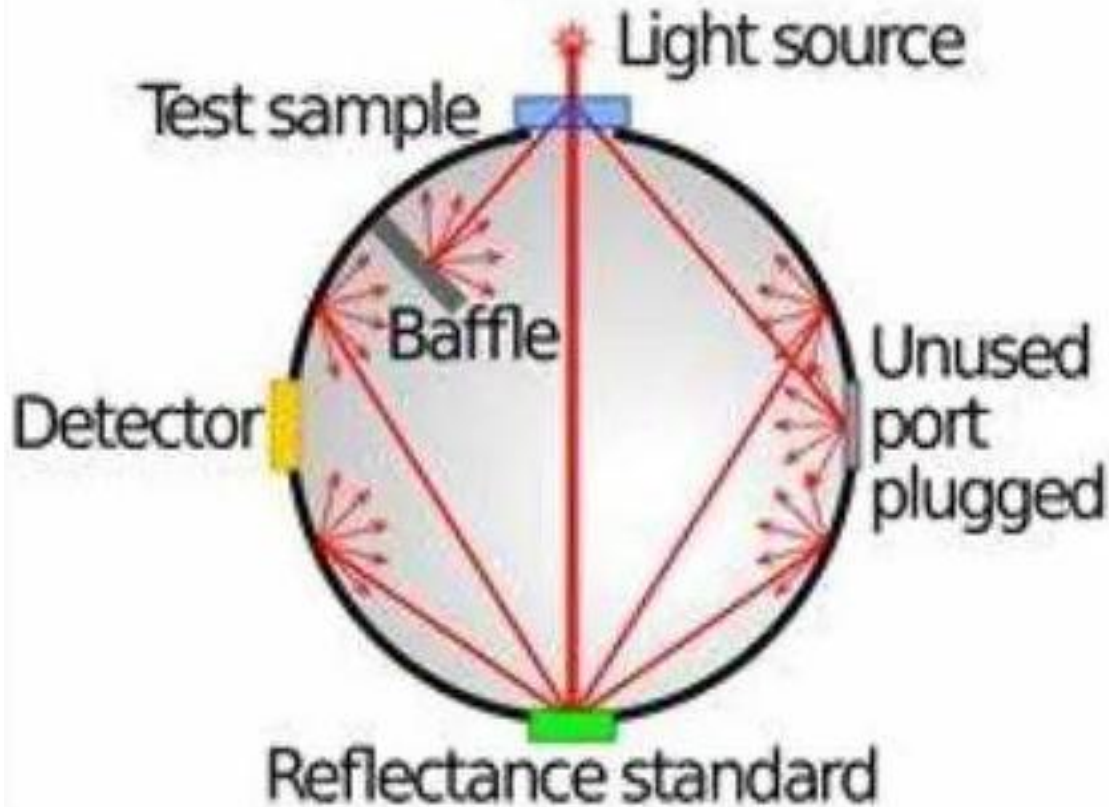
Transmission Measure System

FREYA WANG SALES MANAGER









Definition:

Integrating Sphere is an optical component consisting of a hollow spherical cavity with its interior covered with a diffuse white reflective coating, called diffusion effect.





Purpose:

Transmitted light access to integrating sphere can obtain uniform intensity.

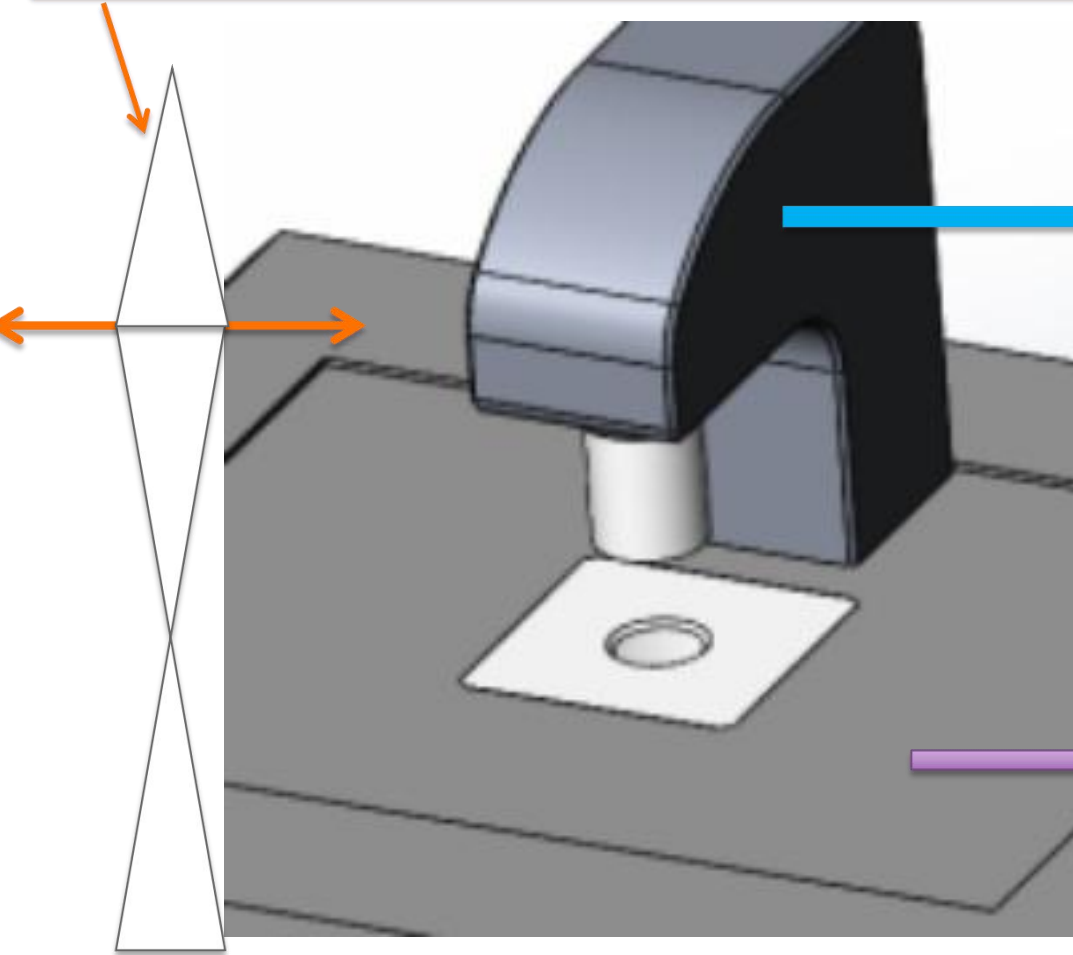
Reliable:

Measure result is reliable

4. Spectrometer Recommendation

| Spectrometer |  |  |  |  |
|--------------|---|--|---|---|
| Range | 350-940 nm | 200-400 nm 350-800 nm 200-1000 nm | 900-1700 nm | 900-2500 nm |
| Advantage | Miniature size | Good UV response High performance-to-price ratio | Good infrared response Cost-effective | Infrared Long integration time High stability |
| Position | miniature, high integration | UV absorbance | High precision | long integration time, improve accuracy |
| Application | University, scientific research, lab, multiple online water analyzer, micro spectrophotometer, fast spectrophotometer, Fluorescence spectrometer, biochemical analyzer... | | | |

Point-to-Point Measure: tiny light spot



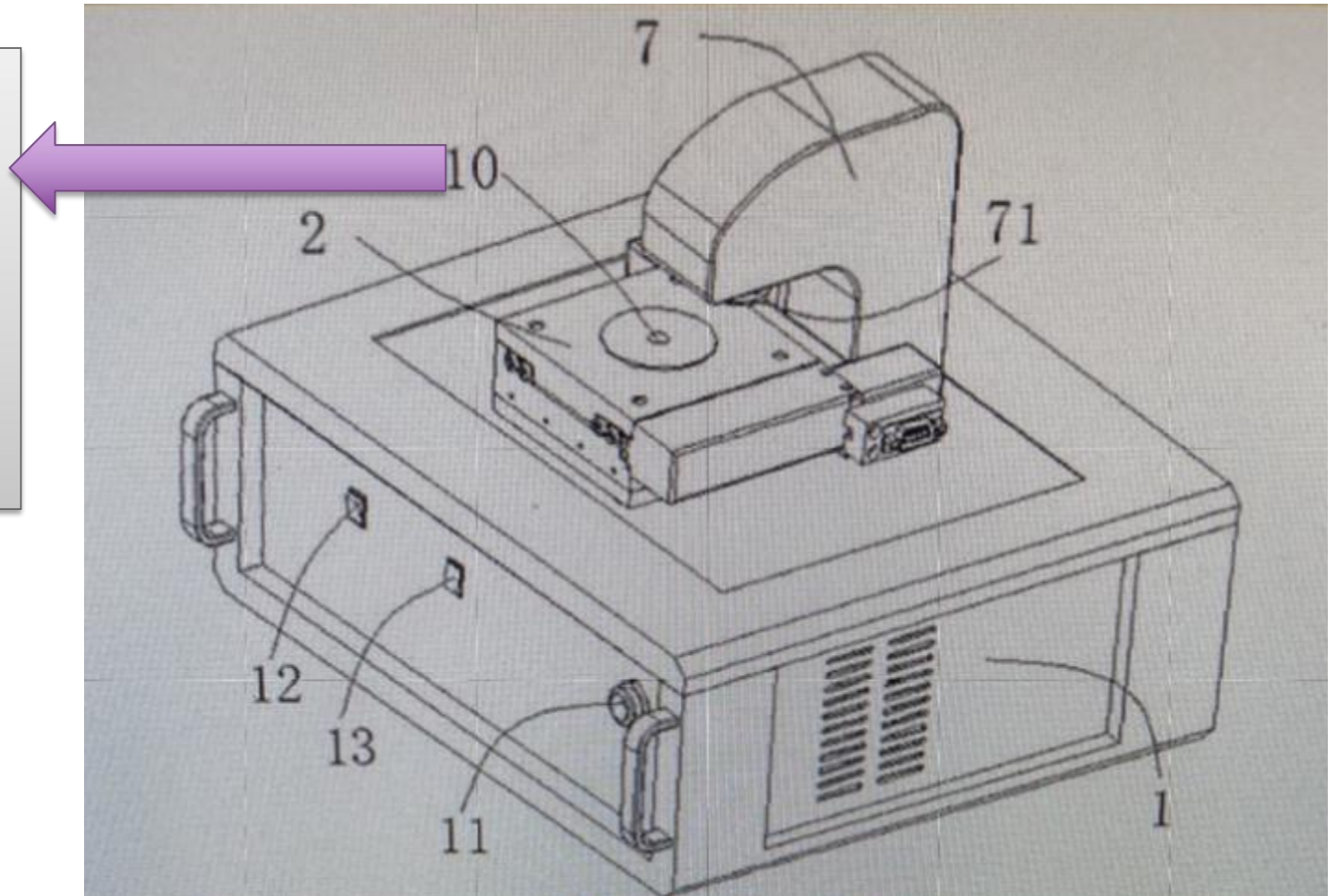
Move Up & Down:
adjustable spot size by lens

Sample diameter:
 $\phi 1-\phi 20\text{mm}$

(Optional) customized area measure:
2D adjustable platform can move
sample position to detect
transmission of different points

Optional customized area
measure design (Extra cost)

2D adjustable platform can
move sample position to detect
transmission of different points

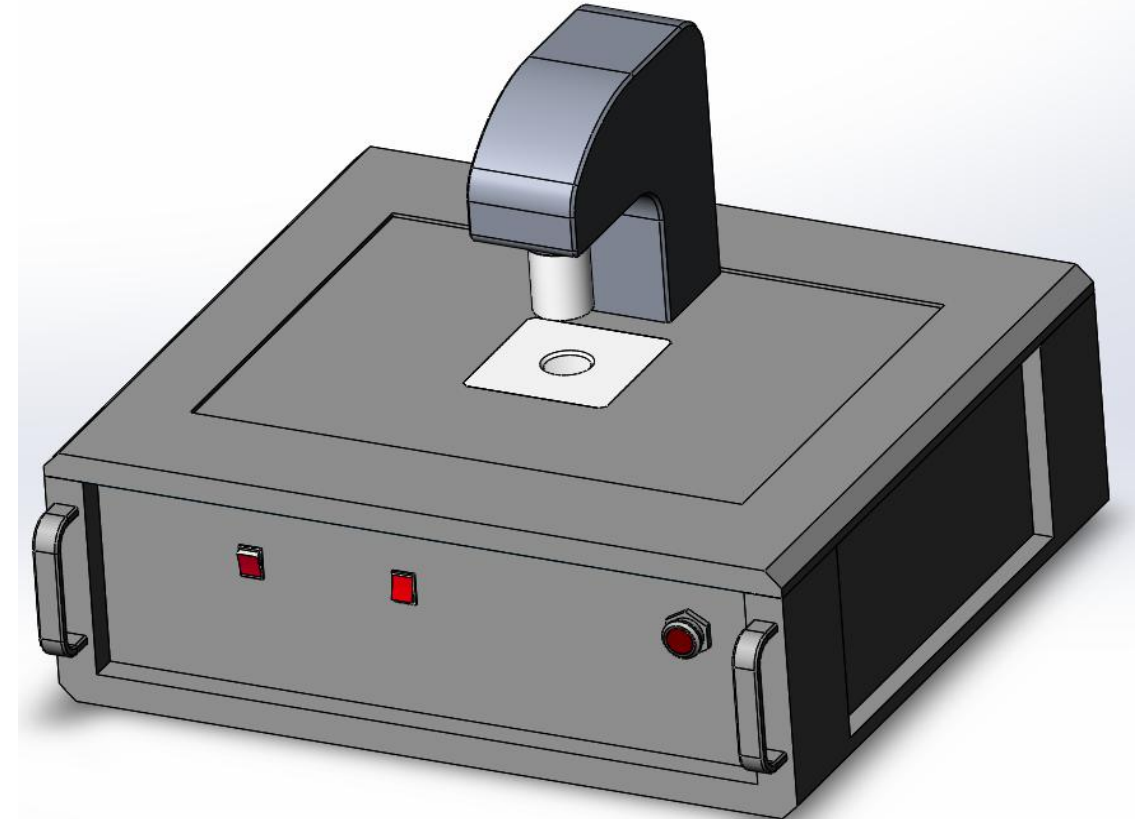


Features

- Non destructive, Fast Detect, One button operation
- Detect time < 1s
- Adjustable spot fit to samples with different diameter
- High accuracy, detect error < 0.3%
- SNR > 800:1
- Full spectrum: 200-1000 nm
- Online in-field detect

Application:

Transmittance of lens, plane mirror, filter, coated mirror





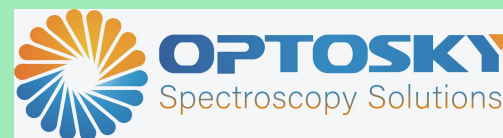
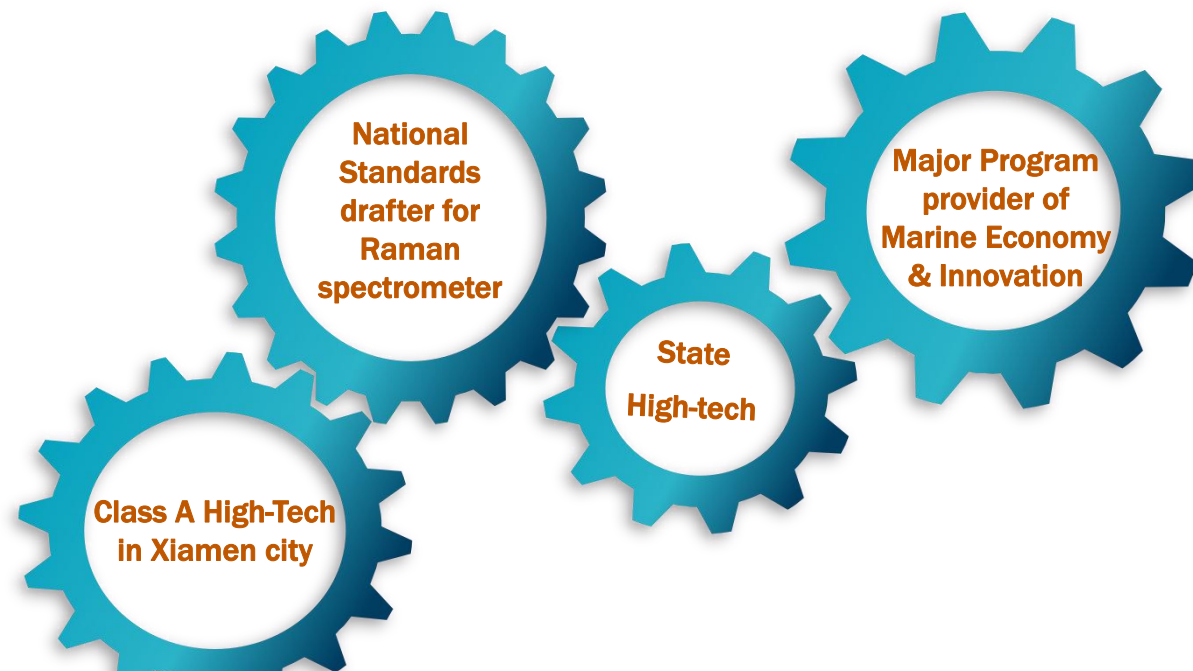
Inside Research Institute

HQ area: 2500 m2

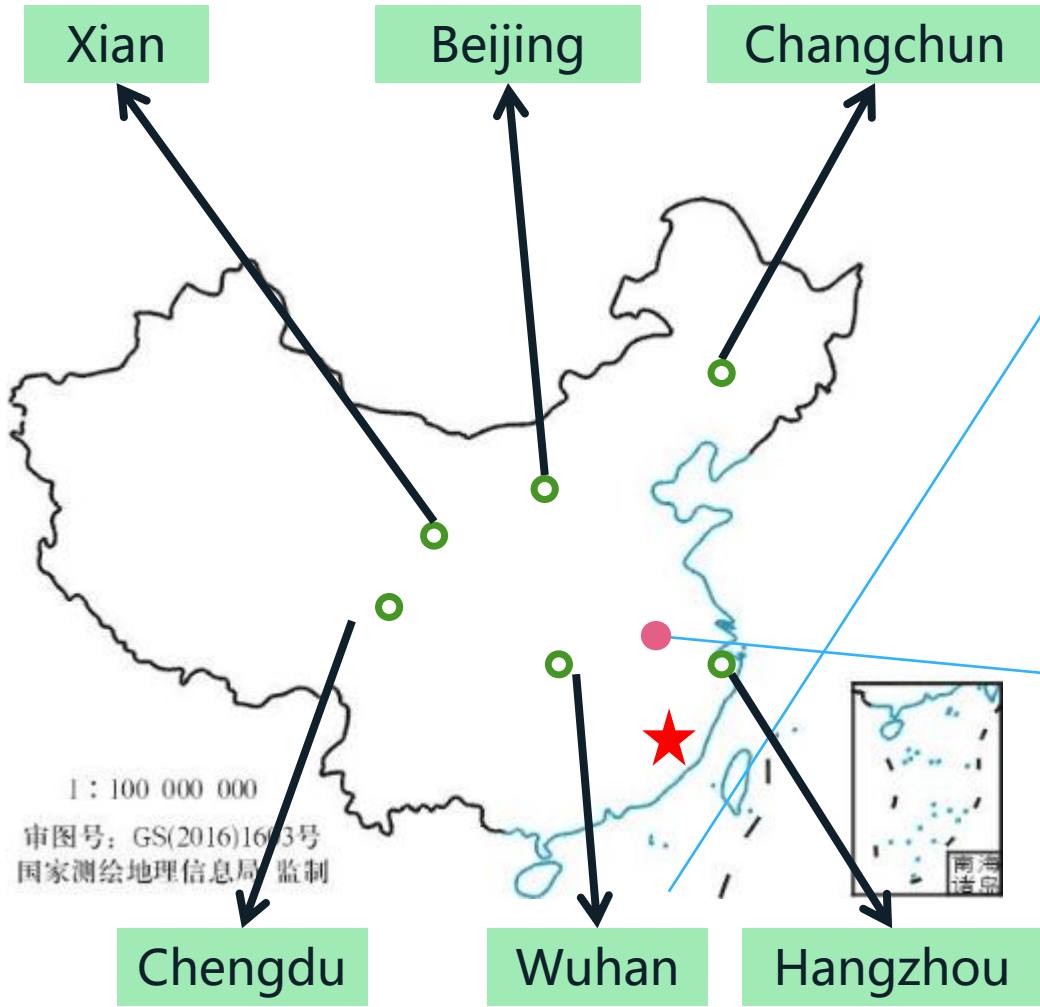
Near airport or high speed train station



- **20-Year experience in developing spectrometers**
- **Top 1 Brand Raman spectrometer in China**
- **Originally funded by National Science and Technology Major scientific instrument**
- **Pioneer technology innovation in miniature Raman spectrometers**



- Company logo origins from initial letter of Optosky.
- Spinning "O" indicates robustness, marching, shining and freedom
- Upper orange color indicates passion and innovation, Lower blue color indicates stability and reliability. Company logo implies cutting-edge technology and innovation ensuring first-class quality



★ Headquarter ● Subsidiary ○ Office

Optosky (Xiamen) Photonics Inc.

- Business: Spectroscopic instruments (Raman, FieldSpec, HyperSpec, Environmental Measure, Industrial Measure etc.)
- Area: 2500 m²
- R&>50 person

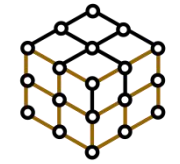
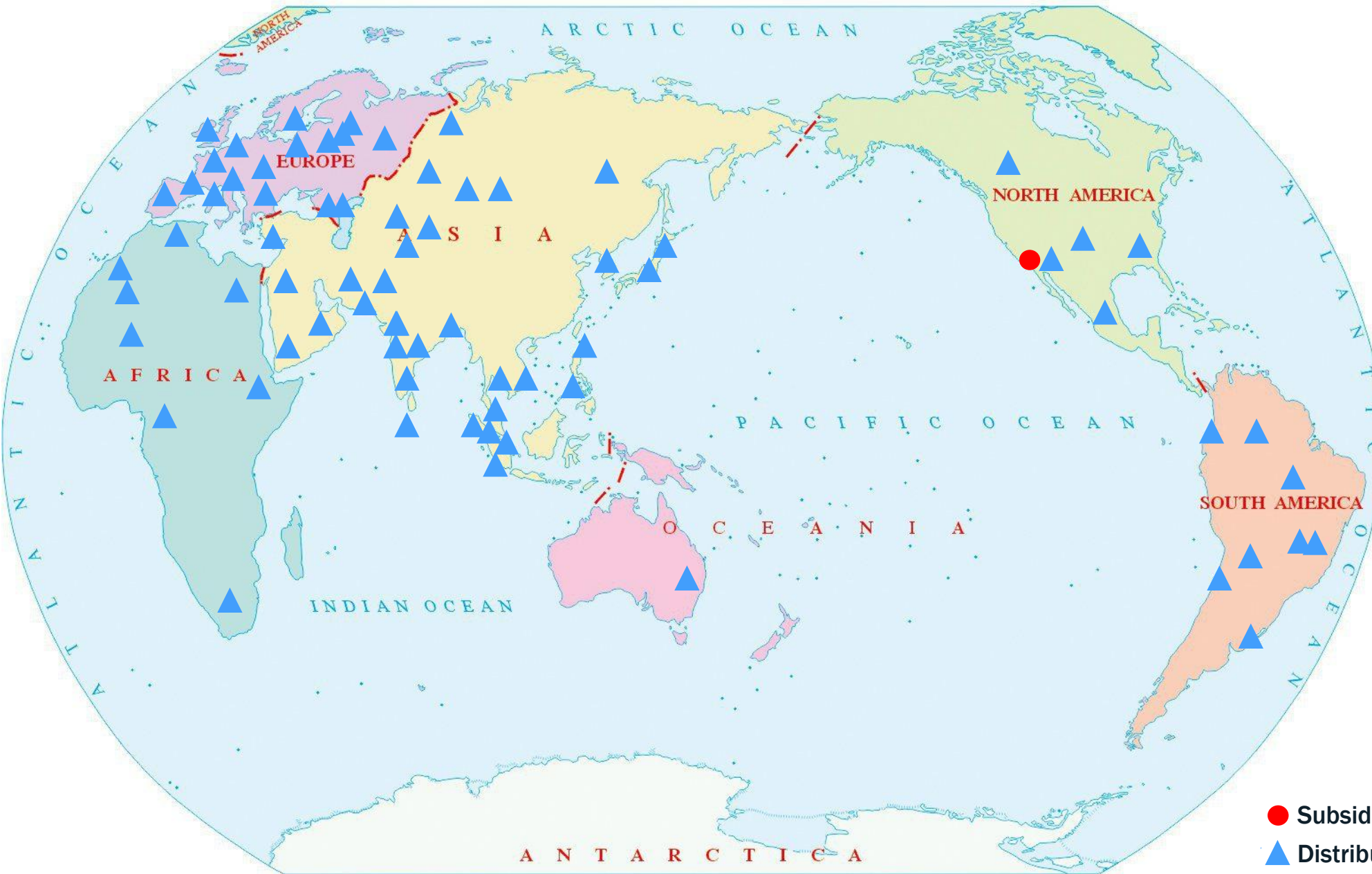


KHJC (Wuhu) Informatonal Tech Inc.

Business:

- Oceanic Instrument
 - Geological Information Instruments
 - Drone Hyperspec Remote Sensing Analysis
- Area: 2035 m²





Export to
53 countries



>230
Distributors



31%
Sales Share