

# Freda



## Cabinet:

Material: multi-layer board 6562+ 8850 quartz stone countertop

Color: 6562 cement gray + 8850 fish-belly white

Environmental protection grade:

Design: high-grade cement gray panel with modern style; 45° undercut lead angle splicing cabinet, exquisite cutting technology with fish-belly white quartz countertop; perfect design style, finest technology in bathroom cabinet industry

Handle: 45° oblique hidden handle to prevent bumps and scratches

Track: glass drawer with LED soft light, equipped with European Uni-hopper ultra-thin metal box

Hanging system: H45

## Basin:

Material: ceramic undercounter basin

Color: glossy white

Features: fired in high temperature, smooth surface and easy to clean

Design: glossy white Duravit ceramic undercounter basin, top quality, durable

## Mirror:

Material: LED silver mirror

Design: rectangle design

Features: rectangle surrounding LED mirror light, 360° stereoscopic lighting effect, more beautiful lens effect, demist function

## Freda-1000 K029-1000

---

### Cabinet :

(C029CW-1000DGH6562)  
994\*582\*450mm (W\*D\*H)  
GW :36kg NW:33kg CBM:0.36m<sup>3</sup>

### Countertop:

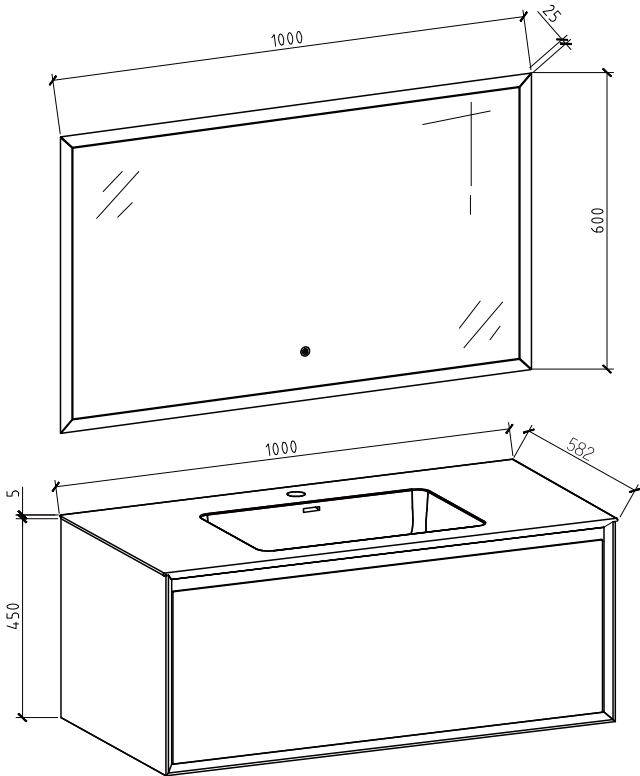
(U029S-10008851L-20)  
1000\*582\*20mm (W\*D\*H)  
GW :17kg NW:15kg CBM:0.07m<sup>3</sup>

### Basin:

(B1804GW-05240)  
525\*400\*180mm (W\*D\*H)  
GW :kg NW:kg CBM:m<sup>3</sup>

### Mirror :

(M004-1000DF)  
1000\*25\*600mm (W\*D\*H)  
GW :10kg NW:8kg CBM:0.08m<sup>3</sup>



## Freda-1500 K029-1500L

---

### Cabinet :

(C029CW-1500DGH6562L)  
1494\*582\*450mm (W\*D\*H)  
GW :54kg NW:50kg CBM:0.52m<sup>3</sup>

### Countertop:

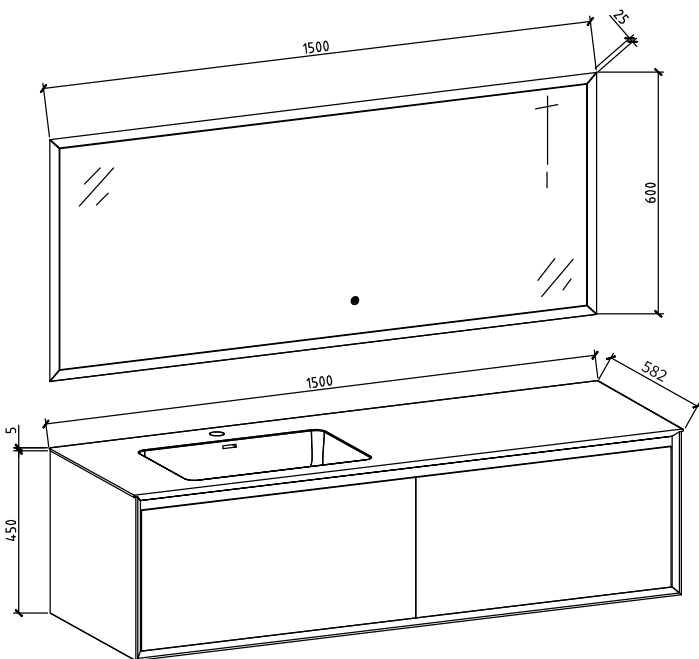
(U029S-15008851L-20)  
1500\*582\*20mm (W\*D\*H)  
GW :25kg NW:22kg CBM:0.1m<sup>3</sup>

### Basin:

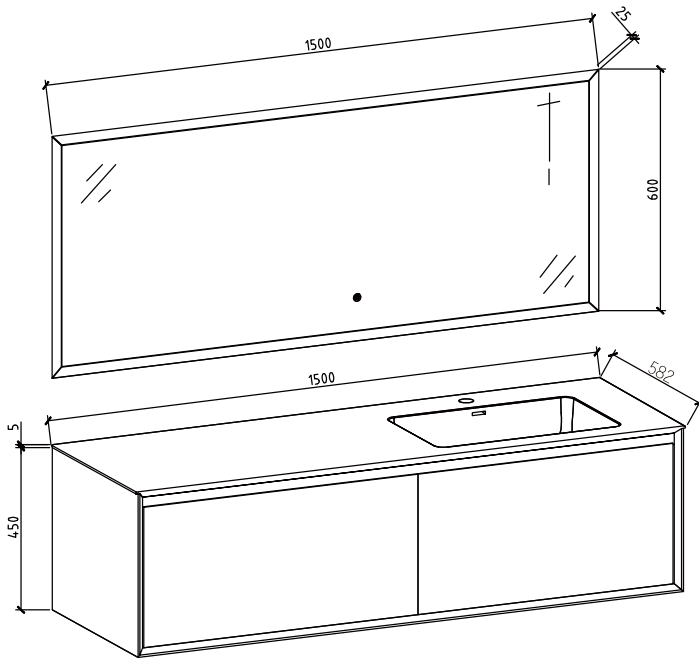
(B1804GW-05240)  
525\*400\*180mm (W\*D\*H)  
GW :kg NW:kg CBM:m<sup>3</sup>

### Mirror :

(M004-1500DF)  
1500\*25\*600mm (W\*D\*H)  
GW :14kg NW:13kg CBM:0.11m<sup>3</sup>



# Freda-1500 K029-1500R



## Cabinet :

(C029CW-1500DGH6562L)  
 1494\*582\*450mm (W\*D\*H)  
 GW :54kg NW:50kg CBM:0.52m<sup>3</sup>

## Countertop:

(U029S-15008851L-20)  
 1500\*582\*20mm (W\*D\*H)  
 GW :25kg NW:22kg CBM:0.1m<sup>3</sup>

## Basin:

(B1804GW-05240)  
 525\*400\*180mm (W\*D\*H)  
 GW :kg NW:kg CBM:m<sup>3</sup>

## Mirror :

(M004-1500DF)  
 1500\*25\*600mm (W\*D\*H)  
 GW :14kg NW:13kg CBM:0.11m<sup>3</sup>

