

Pandola



Top counter:

12mm white matt artificial marble.

Cabinet:

MFC, 6293 T.Oak color+ black ultra-light aluminium.45 ° bevelled invisible handle.DTC silent damping guide rail.Wooden drawer side-board.

Basin:

Artificial marble.White matt.Above counter.Round.Heightening design.

Mirror:

MKRL01.LED mirror.Round.Laser inner sculpture texture,anti-oxidation.Anti-fogging.Touch switch.

Shelf:

Black ultra-light aluminium .

Pandola-1200L E01-1200L

Cabinet :

(CM001-1200L)

1194*520*450 mm (W*D*H)

GW :18.99kg NW:15.64kg CBM:0.363m³

Countertop:

(TS001-1200L)

1200*525*18 mm (W*D*H)

GW :17.4kg NW:17kg CBM:0.03m³

Basin:

(BTM003-420W)

420*420*160 mm (W*D*H)

GW :9.51kg NW:8.22kg CBM:0.064m³

Mirror :

(MKRL01-800)

800*30*800 mm (W*D*H)

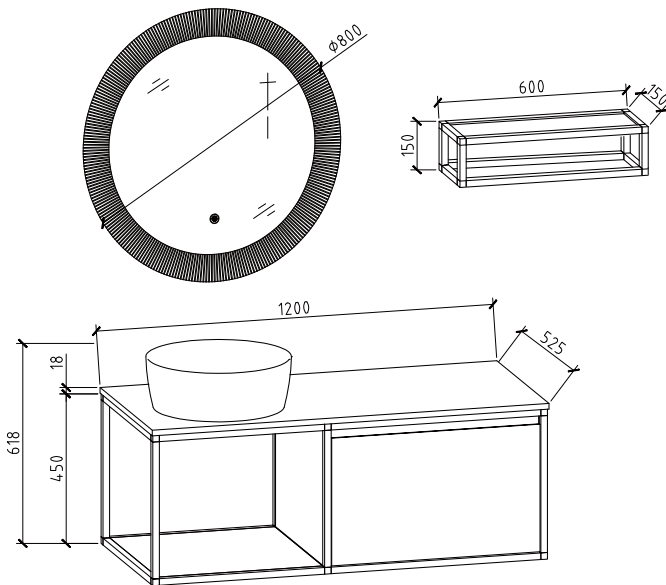
GW :13.19kg NW:11.78kg CBM:0.07m³

Mirror :

(CFM001-600)

600*150*150 mm (W*D*H)

GW :9kg NW:8kg CBM:0.031m³



Pandola-1200R E01-1200R

Cabinet :

(CM001-1200R)

1194*520*450 mm (W*D*H)

GW :18.99kg NW:15.64kg CBM:0.363m³

Countertop:

(TS001-1200L)

1200*525*18 mm (W*D*H)

GW :17.4kg NW:17kg CBM:0.03m³

Basin:

(BTM003-420W)

420*420*160 mm (W*D*H)

GW :9.51kg NW:8.22kg CBM:0.064m³

Mirror :

(MKRL01-800)

800*30*800 mm (W*D*H)

GW :13.19kg NW:11.78kg CBM:0.07m³

Mirror :

(CFM001-600)

600*150*150 mm (W*D*H)

GW :9kg NW:8kg CBM:0.031m³

