

Slim

Natural stone look, hidden drawer, like a natural art.



Cabinet:

Material: MFC 6569

Color: 6569 metallic grey

Environmental Degree: E1

Design: Super light space aluminum, creative mortise and tenon structure, a great example for creative metal application.

A tiny inner drawer, protects your little secrets.

Handle: 45° oblique cut invisible handles which can avoid accidental hitting and scratching. A protection from minimalism.

Running System: DTC soft closing wooden rail

Patent: ABS ultra-thin drainage pipeline access, providing more storage.

Hanging system: H90

Basin:

Material: Grey quartz sand integrated basin

Color: Matte grey

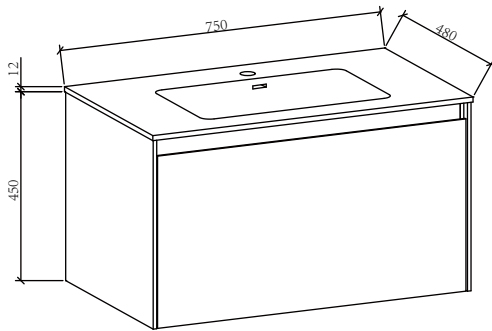
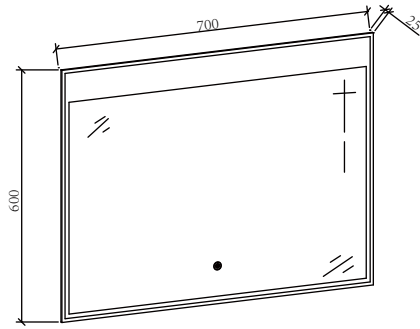
Design: Integrated design with modern style, rectangle deepen basin with splash resistance, easy to clean.

Mirror:

Material: LED silver mirror

Design: Rectangle

Features: Surrounding light belt which provides 360° light effect. Your beauty can be perfectly demonstrated with the light and the anti-foggy function which can be controlled by the touch sensor.



Slim-750 V039-750

Cabinet :

(C039CW-0750KMD6569)

744*475*450mm (W*D*H)

GW :28kg NW:26kg CBM:0.22m³

Basin:

(B0002GG-07548//12)

750*480*150 (12) mm (W*D*H)

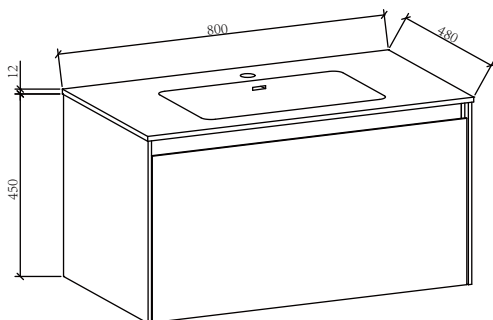
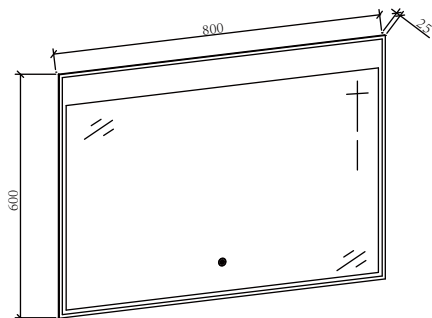
GW :16kg NW:15kg CBM:0.09m³

Mirror :

(M002-700DF)

700*25*600mm (W*D*H)

GW :7kg NW:6kg CBM:0.06 m³



Slim-800 V039-800

Cabinet :

(C039CW-0800KMD6569)

794*475*450mm (W*D*H)

GW :29kg NW:27kg CBM:0.24m³

Basin:

(B0002GG-08048//12)

800*480*150 (12) mm (W*D*H)

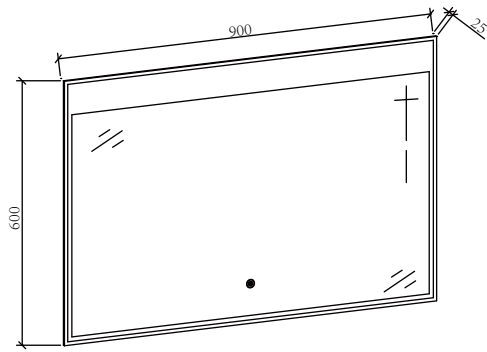
GW :19kg NW:17kg CBM:0.09m³

Mirror :

(M002-800DF)

800*25*600mm (W*D*H)

GW :8kg NW:7kg CBM:0.07 m³



Slim-900 V039-900

Cabinet :

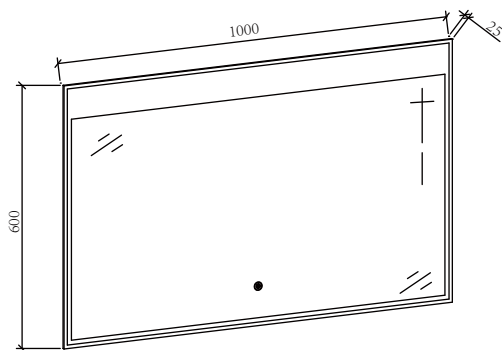
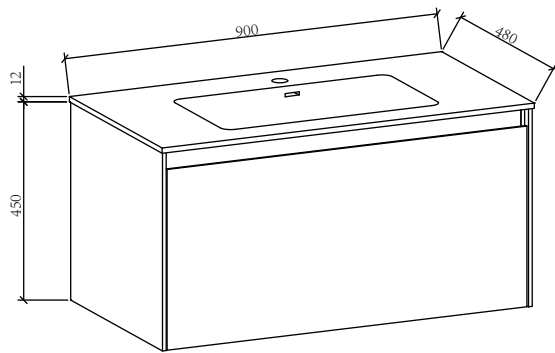
(C039CW-0900KMD6569)
894*475*450mm (W*D*H)
GW :32kg NW:29kg CBM:0.27m³

Basin:

(B0002GG-09048//12)
900*480*150 (12) mm (W*D*H)
GW :18kg NW:17kg CBM:0.1m³

Mirror :

(M002-900DF)
900*25*600mm (W*D*H)
GW :9kg NW:8kg CBM:0.07 m³



Slim-1000 V039-1000

Cabinet :

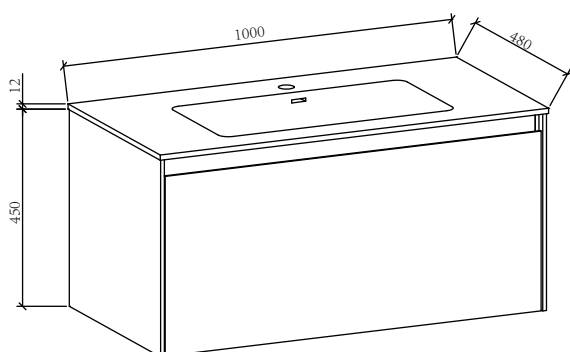
(C039CW-1000KMD6569)
994*475*450mm (W*D*H)
GW :35kg NW:32kg CBM:0.29m³

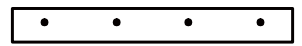
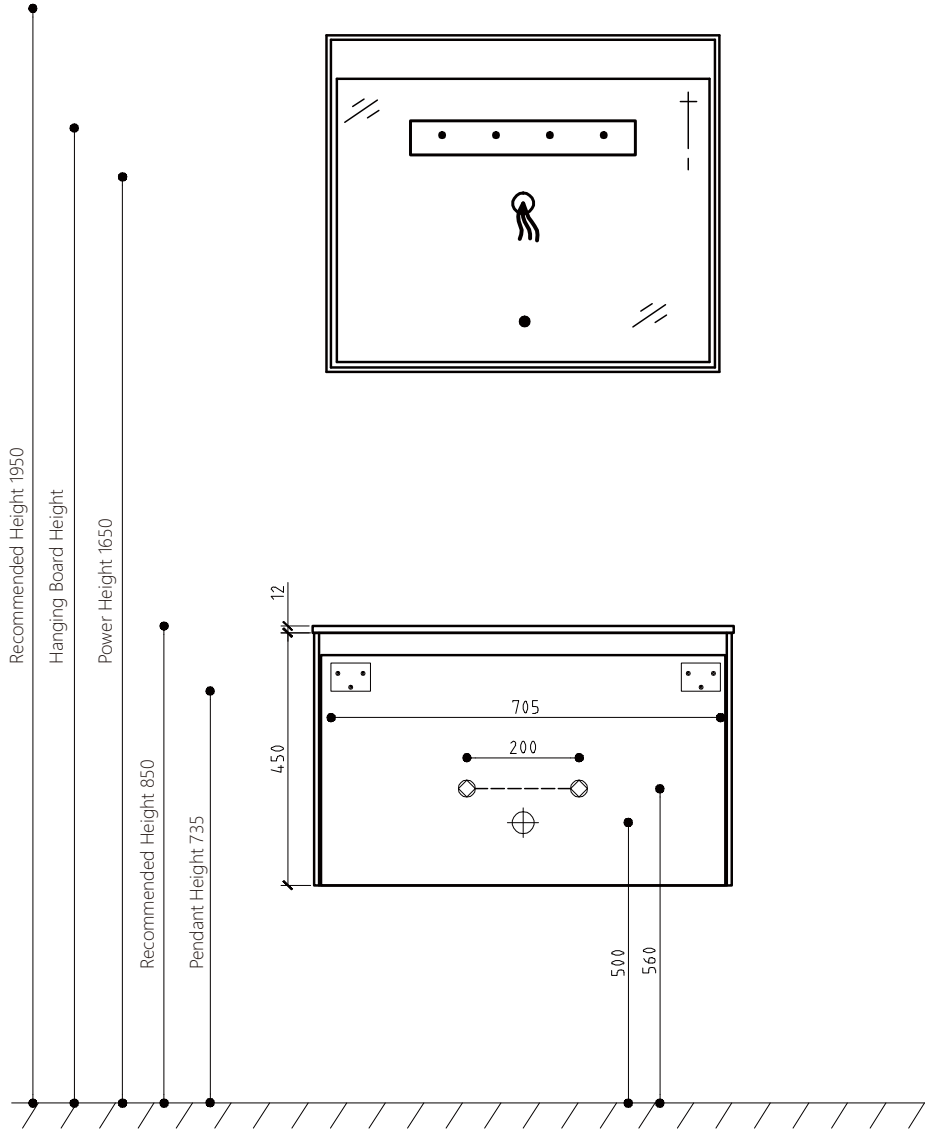
Basin:

(B0002GG-10048//12)
1000*480*150 (12) mm (W*D*H)
GW :24kg NW:23kg CBM:0.11m³

Mirror :

(M002-1000DF)
1000*25*600mm (W*D*H)
GW :10kg NW:8kg CBM:0.08 m³





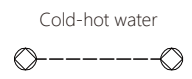
Hanging Board



The 220 v power supply
 Power supply and lighting control



Pendants



Cold-hot water



Wall drainage