

Collins

Well crafted, rare, natural
Exquisite structure, gentle and delicate, diamond-like brightness and pureness



Top counter:

Material: artificial stone pedestal basin

Color: matte

Features: high hardness, scratch resistance, high flatness

Design: integrated molding, new food-grade material; simple design, fashionable household supplies; independent pedestal basin, free placement, more enjoyable view

Hanging system: H00

Basin:

Material: Quartz

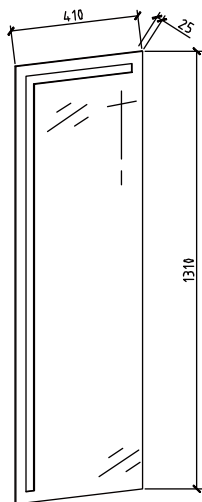
Color: 8851 fish-belly white

Mirror:

Material: LED mirror

Design: L-shaped design

Features: well-designed, black high-definition silver mirror with aluminum frame and L-shaped invisible lighting, fashionable and generous



Collins-1500 V043-1500

Countertop :

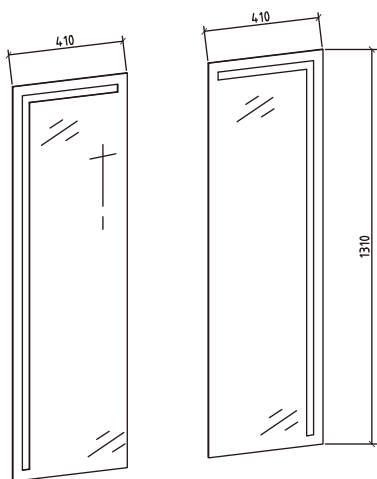
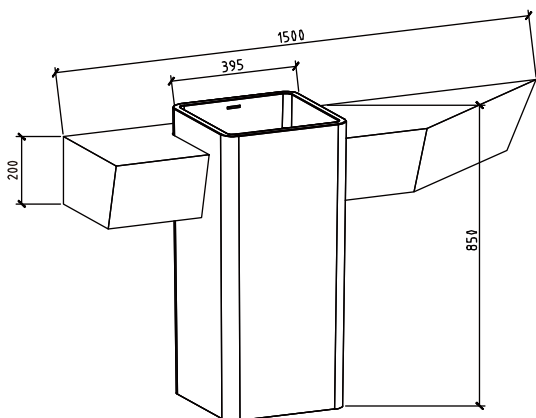
(U043S-15008851L-20)
 1500*360*200 mm (W*D*H)
 GW :28kg NW:25kg CBM:0.31m³

Basin :

(B0901MW-04040)
 395*395*850 mm (W*D*H)
 GW :40kg NW:38kg CBM:0.21m³

Mirror :

(M019-1310D-L)
 410*25*1310 mm (W*D*H)
 GW :7kg NW: 6kg CBM:0.05m³



Collins-2000D V043-2000D

Countertop :

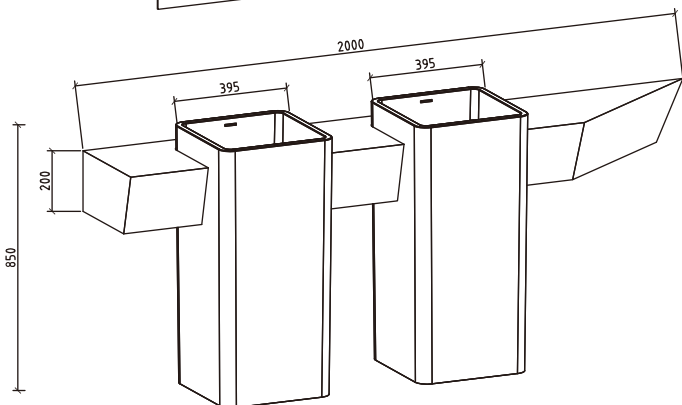
(U043S-20008851L-20)
 2000*360*200 mm (W*D*H)
 GW :35kg NW:32kg CBM:0.4m³

Basin :

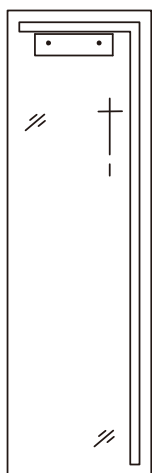
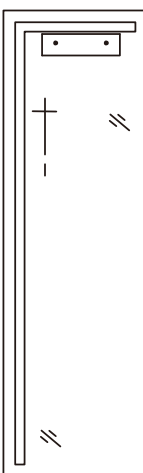
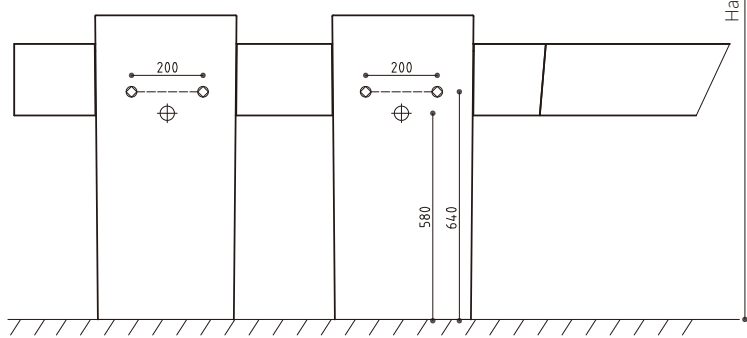
(B0901MW-04040*2)
 395*395*850 mm (W*D*H)
 GW :40kg NW:38kg CBM:0.21m³

Mirror :

(M019-1310D*2)
 410*25*1310 mm (W*D*H)
 GW :7kg NW:6kg CBM:0.05m³



Countertop recommended Height 770



Hanging Board Height 2275

Recommended Height 2400



Wall drainage