

OKD

Design inspiration from cool techs, adhering to the art to achieve the beauty of the design concept,
to create elegant, dynamic, exquisite works of art.



Cabinet:

Material: Solid wood cabinet (Luminous drawer panel +Paint Glass +Stainless steel frame)

Environment Standard: E1

Design: Electric induction open and close lift drawer, built-in towel pole.

Handle: The '—' shape invisible handle, comfortable inner arc angle, gentle fit finger, minimalist design.

Guide Rail: BLUM wooden slide + Electric rebound, three balls drawer slides of Hettich + BLUM Rebound device, Stainless steel tower rack drawer.

Hanging system: H45

Basin:

Material: Black quartz sand integrated basin

Color: Matte black

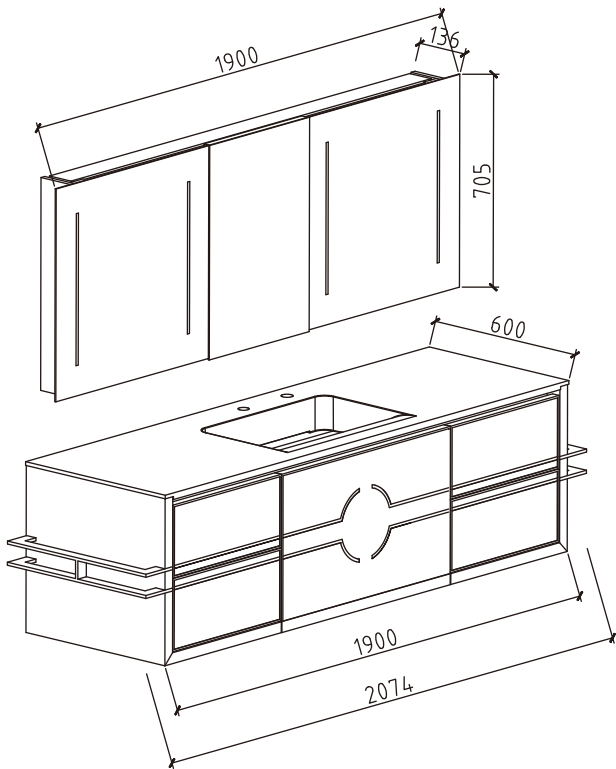
Design: Hidden access

Mirror:

Material: LED wooden mirror cabinet

Design: Rectangle design, upgradeable

Feature: Electric lifting box, LED touch switch, a magnifying glass in the middle, 45°aluminum alloy connector



OKD V011-1900

Cabinet :

(C011AW-1900WMBGSC001/7848)
1894 (2070) *595*550 mm (W*D*H)

Basin:

(B0011MG-19060)
1900*600*125mm (W*D*H)

Mirror :

(M802-1900D)
1900*136*705mm (W*D*H)

