

Judy-pro



Countertop:

Sintered stone slab.

Mirror:

MPZL01.Acrylic frame LED mirror, rectangle, touch switch, anti-fogging, LED light guide your way in the night.

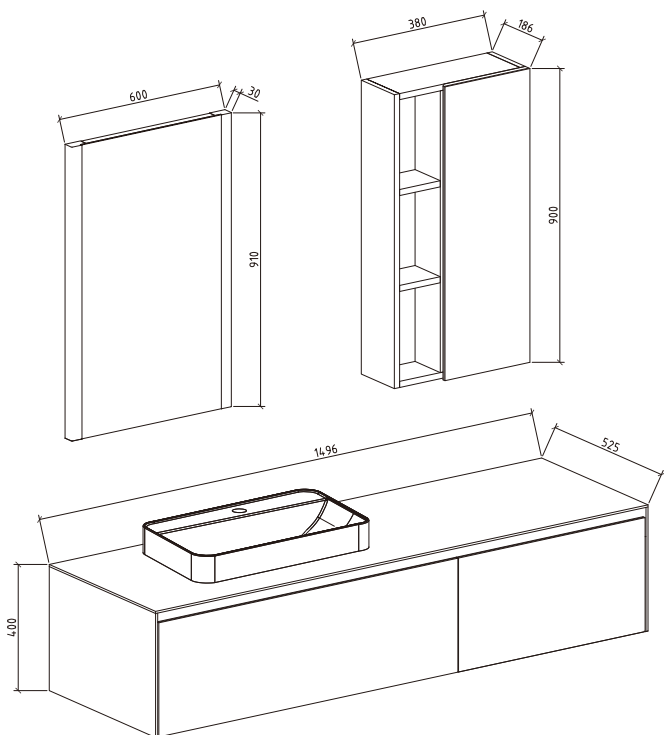
Cabinet:

Italy Lamina sintered stone slab, snow white color, continuous pattern design, semi-open side cabinet, 45 ° oblique cut invisible drawer handle, European E1 standard, own patent for the ultrathin ABS U-shape pipeline access, European Unihopper steel rail.

Basin:

Ceramic, semi-embedded basin, white.

Judy-pro-1500L F01-1500L



Cabinet :

(CCS001-1500L)

1496*525*400mm (W*D*H)

GW :80.24 kg NW:76.09 kg CBM:0.623 m³

Ceramic Basin:

(BMC001-600W)

600*410*170mm (W*D*H)

GW :12.8 kg NW:12 kg CBM:0.047 m³

Side cabinet :

(CSS001-900)

380*186*900mm (W*D*H)

GW :18.99 kg NW:17.49 kg CBM:0.116 m³

Mirror :

(MPZL01-600)

600*30*810 mm (W*D*H)

GW :9.84 kg NW:8.49 kg CBM:0.052 m³

