

Forest

Design inspiration from the forest, meaning to live in harmony with nature, is the perfect combination of modern, nature and future, showing the classic quality of health and environmental protection.



Cabinet:

Material: Solid wood cabinet

Color: C001 Walnut

Environment Standard: E1

Design: Natural walnut grain

Handle: The '—' shape invisible handle, comfortable inner arc angle, gentle fit finger, minimalist design

Running system: DTC soft closing, noiseless while open or close

Drawer: Austrian Blum soft closing wooden slide

Patented Design: ABS material ultra-thin U-shape avoiding water, orderly storage

Hanging system: H45

Countertop:

Material: Porcelain slab (6mm)

Color: 8888 KARACATA/ matte

Basin:

Material: Above countertop ceramic basin

Color: Glossy White

Feature: Fired in high temperature, smooth surface and easy to clean

Design: Above countertop basin from German zeva

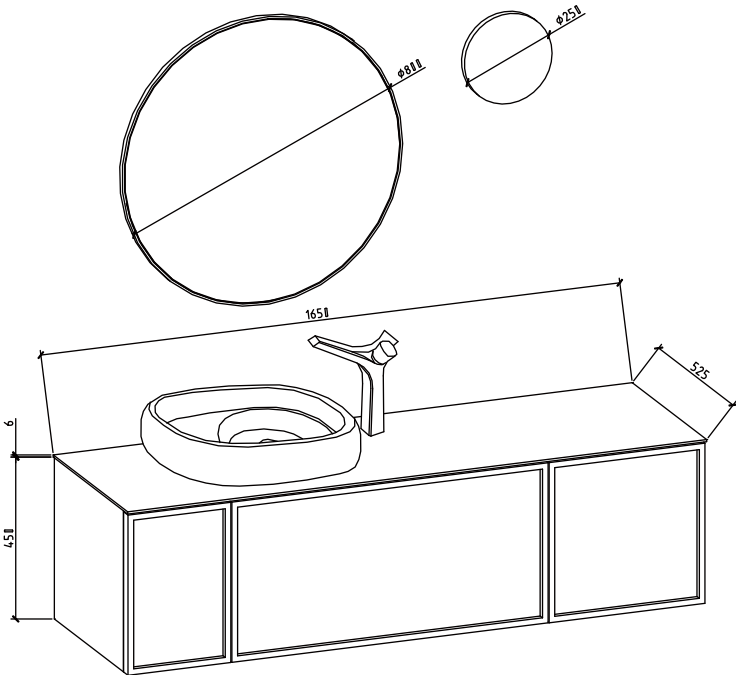
Mirror:

Material: Metal frame silver mirror, led creative wall lamp

Design: Round shape

Feature: Unique metal frame round mirror with wall lamp

Forest K012-1650

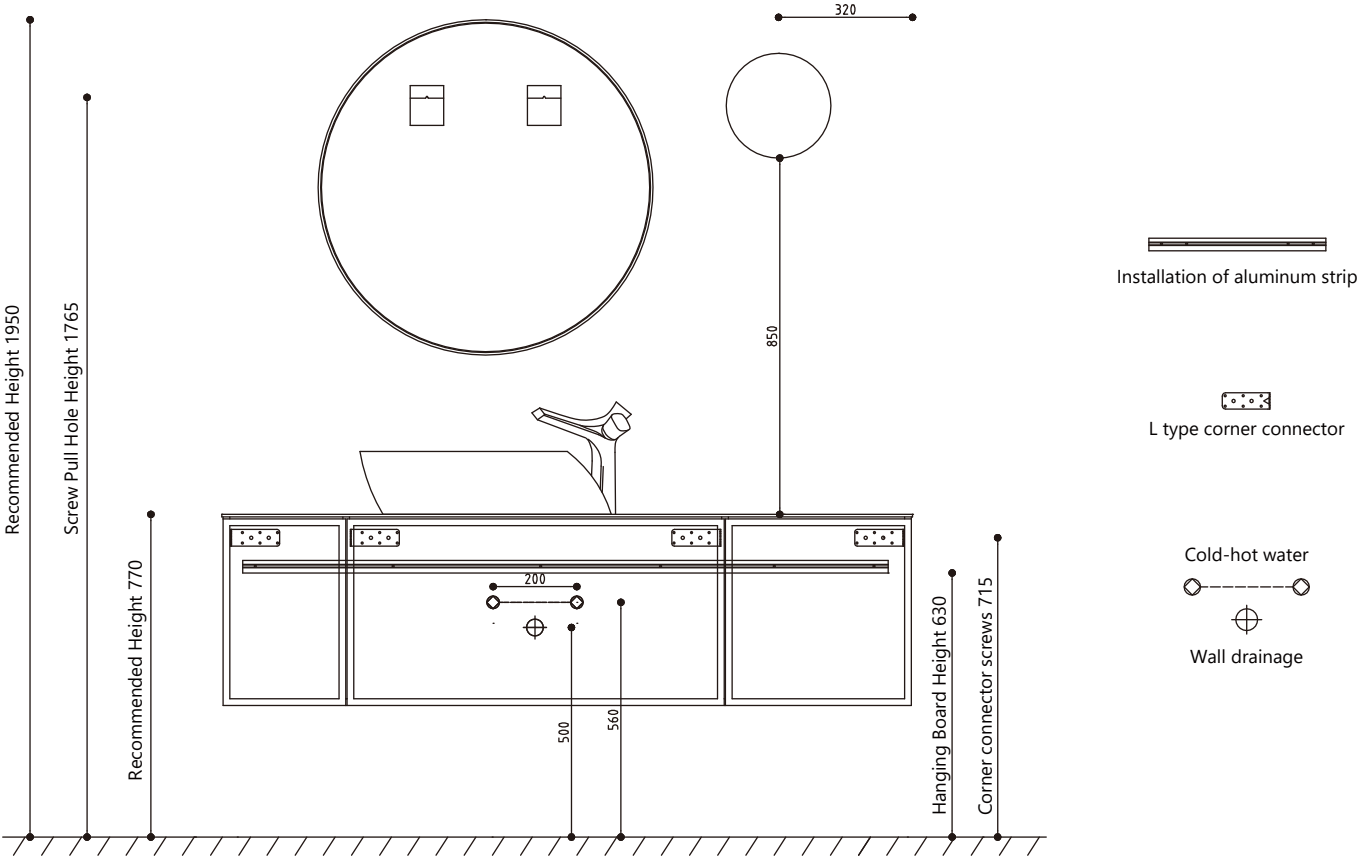


Cabinet :
 (C012CW-1650WJDMBC001)
 1644*520*450mm (W*D*H)
 GW:54.4kg NW:50.2kg CBM:0.521m³

Countertop:
 (U012Y-8888/6)
 1650*525*6mm (W*D*H)
 GW:21.7kg NW:20.03kg CBM:0.08m³

Basin:
 (B1704GW-06138)
 689*438*140mm (W*D*H)

Mirror :
 (M411-800)
 φ800mm (W*D*H)
 (M412-250D)
 φ250*35mm (W*D*H)



Installation of aluminum strip

L type corner connector

Cold-hot water
 Wall drainage