

Felix

Design Inspiration from Lamborghini-Fast & Furious.



Cabinet:

Material: MFC free painting plate 6292+ MDF lacquered finish plate 7002

Color: 6292 F.oak+7002 matte black

Environmental protection grade: E1

Design: a perfect combination of F.oak and matte black; seamless splicing integrated paint cabinet; built-in 45° beveled edging with ringed surface, delicate on each side

Track: metal box with LED light design, bring the best Aurora experience

Hanging system: H45

Basin:

Material: aluminum stone integrated basin

Color: matte black

Features: high hardness, scratch resistance, high flatness

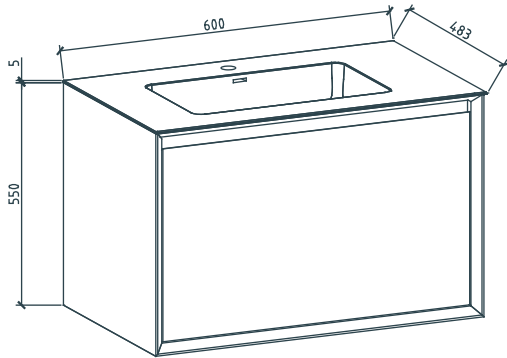
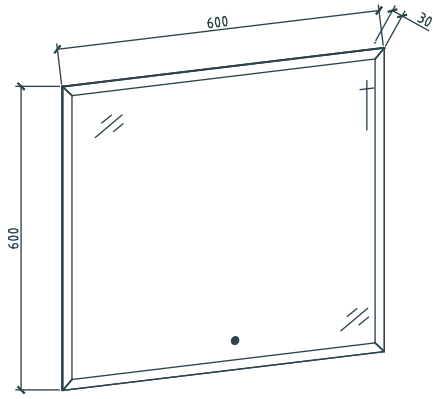
Design: double basins with integrated molding design, no cohesive gaps, easy to clean

Mirror:

Material: LED silver mirror

Design: rectangle design

Features: surrounding LED mirror light, 360°stereoscopic lighting effect, more beautiful lens effect



Felix-600 V036-600

Cabinet :

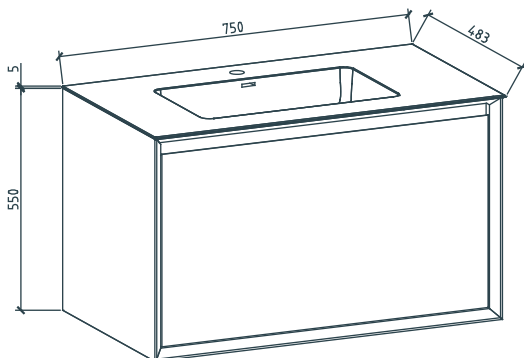
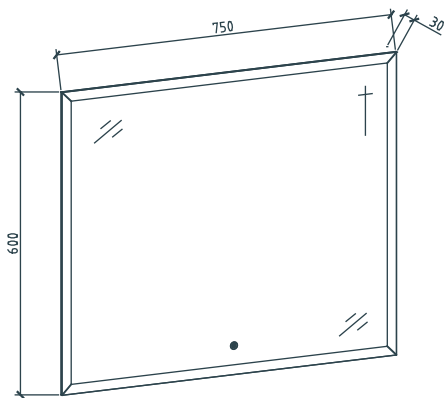
(C036AW-0600MGH7002/6292)
594*480*500 mm (W*D*H)
GW :25kg NW:23kg CBM:0.21m³

Basin:

(B005MB-06048)
600*483*160 mm (W*D*H)
GW :14kg NW:13kg CBM:0.08m³

Mirror :

(M004-600DF)
600*30*600 mm (W*D*H)
GW :6kg NW:5kg CBM:0.05m³



Felix-750 V036-750

Cabinet :

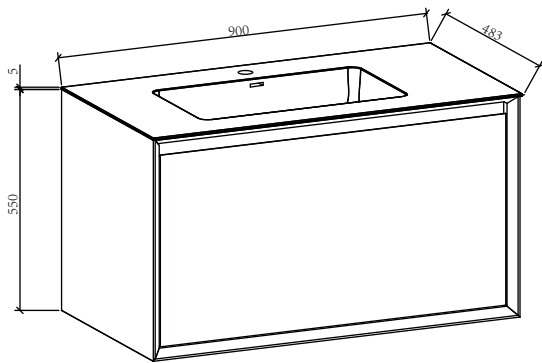
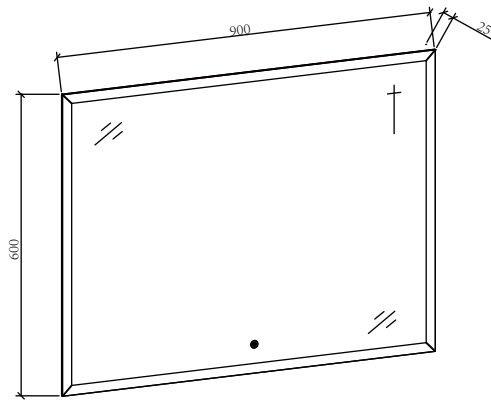
(C036AW-0750MGH7002/6292)
744*480*500 mm (W*D*H)
GW :29kg NW:26kg CBM:0.25m³

Basin:

(B0005MB-07548)
750*483*160 mm (W*D*H)
GW :20kg NW:18kg CBM:0.1m³

Mirror :

(M004-750DF)
750*30*600 mm (W*D*H)
GW :8kg NW:6kg CBM:0.06m³



Felix-900 V036-900

Cabinet :

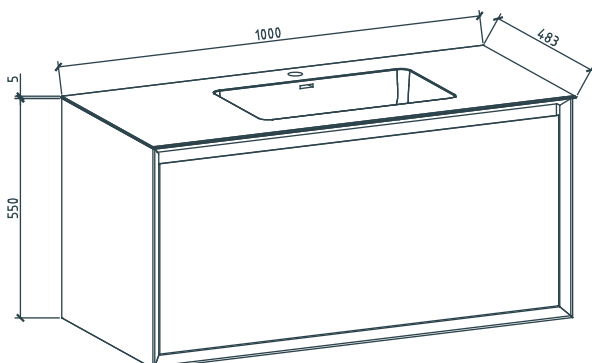
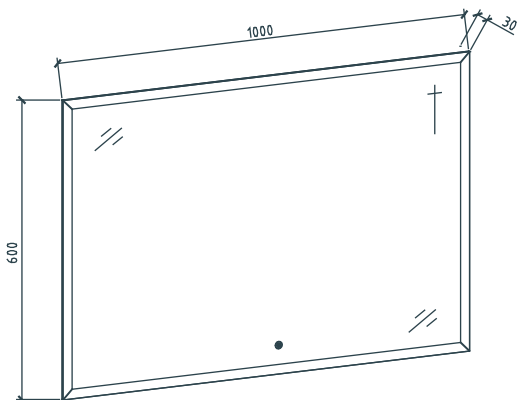
(C036AW-0900MGH7002/6292)
 894*480*500 mm (W*D*H)
 GW :33kg NW:30kg CBM:0.3m³

Basin:

(B0005MB-09048)
 900*483*160 mm (W*D*H)
 GW :22kg NW:20kg CBM:0.12m³

Mirror :

(M004-900DF)
 900*30*600 mm (W*D*H)
 GW :9kg NW:8kg CBM:0.07m³



Felix-1000 V036-1000

Cabinet :

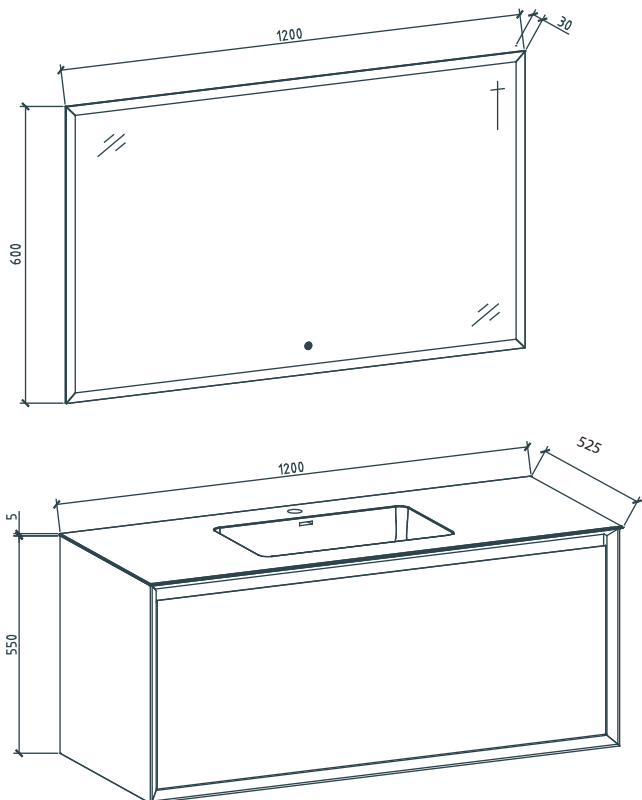
(C036AW-1000MGH7002/6292)
 994*480*500 mm (W*D*H)
 GW :35kg NW:32kg CBM:0.33m³

Basin:

(B0005MB-10048)
 1000*483*160 mm (W*D*H)
 GW :24kg NW:21kg CBM:0.13m³

Mirror :

(M004-1000DF)
 1000*30*600 mm (W*D*H)
 GW :10kg NW:8kg CBM:0.08m³



Felix-1200 V036-1200

Cabinet :

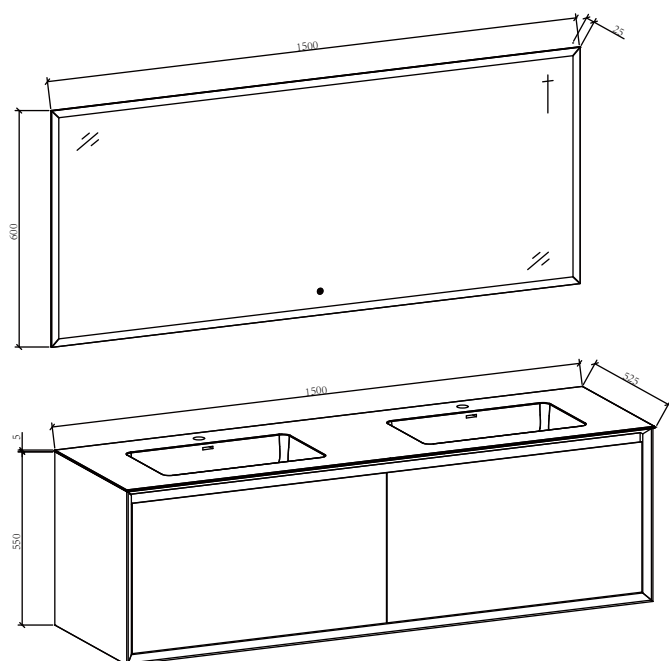
(C036AW-1200MGH7002/6292)
 1192*522*500 mm (W*D*H)
 GW :46kg NW:43kg CBM:0.42m³

Basin:

(B0005MB-12052)
 1200*525*160 mm (W*D*H)
 GW :32kg NW:30kg CBM:0.17m³

Mirror :

(M004-1200DF)
 1200*30*600 mm (W*D*H)
 GW :12kg NW:10kg CBM:0.09m³



Felix-1500 V036-1500D

Cabinet :

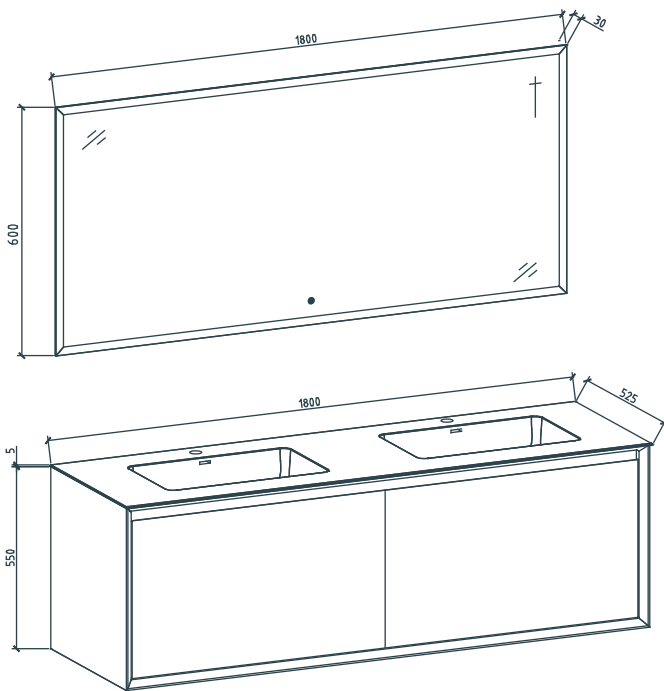
(C036AW-1500MGH7002/6292)
 1492*522*500 mm (W*D*H)
 GW :61kg NW:57kg CBM:0.52m³

Basin:

(B0005MB-15052-2)
 1500*525*160 mm (W*D*H)
 GW :44kg NW:42kg CBM:0.19m³

Mirror :

(M004-1500DF)
 1500*30*600 mm (W*D*H)
 GW :14kg NW:13kg CBM:0.11m³



Felix-1800 V036-1800D

Cabinet :

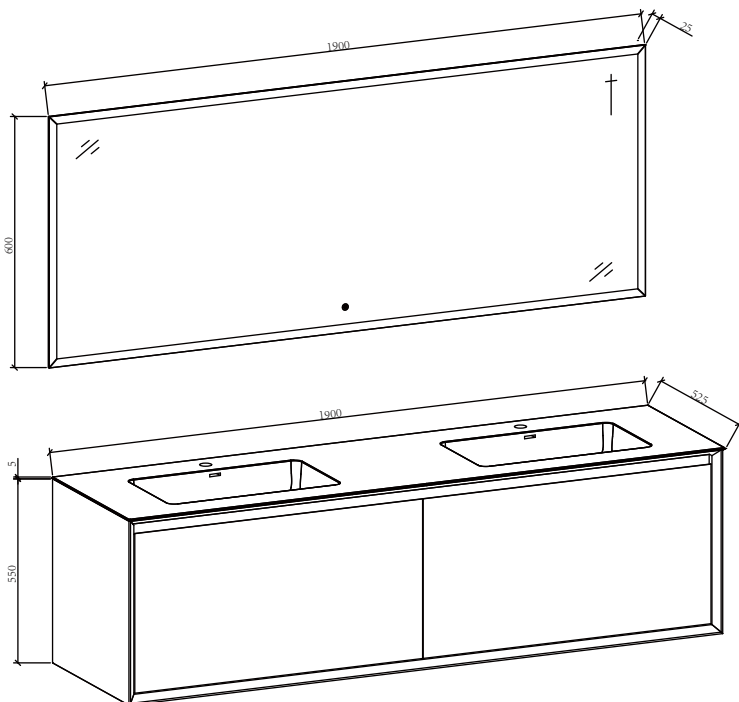
(C036AW-1800MGH7002/6292)
 1792*522*500 mm (W*D*H)
 GW :70kg NW:65kg CBM:0.62m³

Basin:

(B0005MB-18052-2)
 1800*525*160 mm (W*D*H)
 GW :52kg NW:50kg CBM:0.23m³

Mirror :

(M004-1800DF)
 1800*30*600 mm (W*D*H)
 GW :17kg NW:15kg CBM:0.13m³



Felix-1900 V036-1900D

Cabinet :

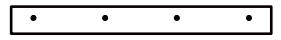
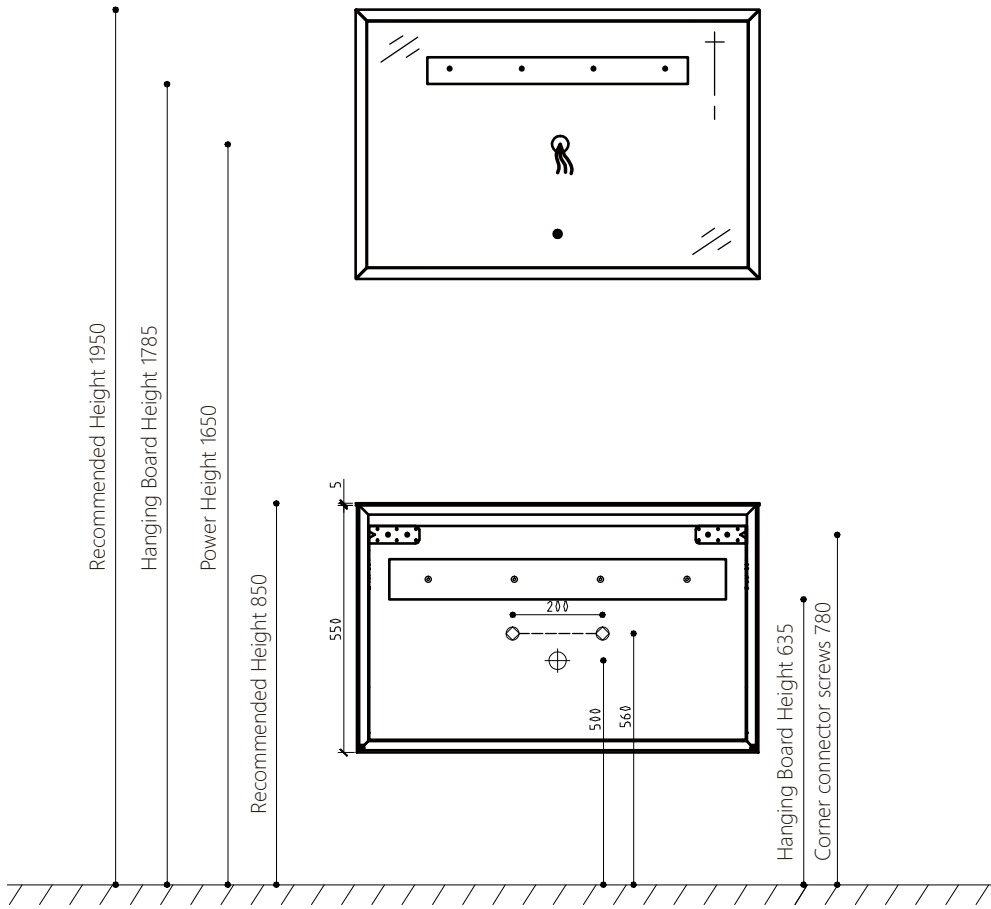
(C036AW-1900MGH7002/6292)
 1892*522*500 mm (W*D*H)
 GW :73kg NW:68kg CBM:0.65m³

Basin:

(B0005MB-19052-2)
 1900*525*160 mm (W*D*H)
 GW :57kg NW:53kg CBM:0.24m³

Mirror :

(M004-1900DF)
 1900*30*600 mm (W*D*H)
 GW :18kg NW:16kg CBM:0.14m³



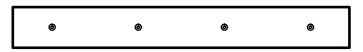
Hanging Board



The 220 v power supply
Power supply and lighting control



L type corner connector



Hanging Board

Cold-hot water



Wall drainage