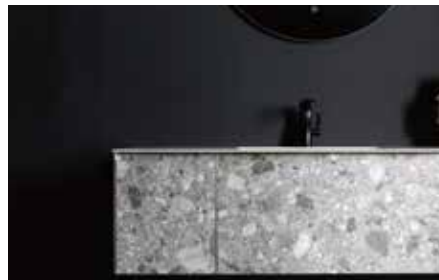


# Leon

Inspired by the Milky Way, extend the series of Star Bath cabinets.

The black frosted texture of the artificial stone table is as solemn and quiet as the night. Slate panel details by the size of a collection of gravel form, as if the stars gathered in the sky from the Milky Way, magnificent and deep.



## Cabinet:

Material: MFC

Color: 5055 Imitation stone grain

Environment Standard: E1

Handle: 45° oblique cut invisible handle, prevent knock against

Drawer: Austrian Blum soft closing wooden slide

Patent: the U shape ABS ultrathin Pipeline Access, orderly storage

Hanging system: H45

## Countertop:

Material: Porcelain slab (6mm)

Color: 8888 KARACATA/ matte

## Basin:

Material: Solid surface under basin

Color: Matte White

Feature: Better in flatness and Hardness, not easy to scratch

Design: Integrated molding, easy to clean

## Mirror:

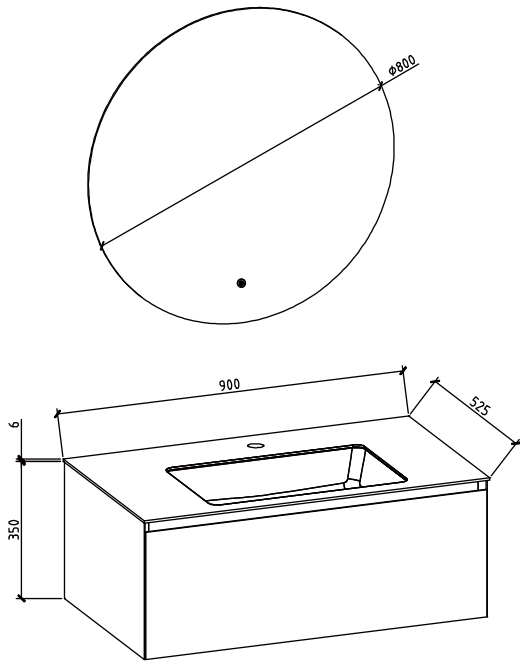
Material: LED silver mirror

Design: Round shape

Feature: High-definition silver mirror, unique small daisy touch switch, one-key lighting and defogging

## Leon K013-900

---



### Cabinet :

(C013CW-900KMB5055)  
894\*520\*350mm (W\*D\*H)  
GW:23.18kg NW:20.74kg CBM:0.24m<sup>2</sup>

### Countertop:

(U013Y-900-8888/6)  
900\*525\*6 mm (W\*D\*H)  
GW:9.12kg NW:8.14kg CBM:0.05m<sup>2</sup>

### Basin:

(B0801MW-T1-05736)  
565\*365\*165mm (W\*D\*H)  
GW:8.45kg NW:7.6kg CBM:0.07m<sup>2</sup>

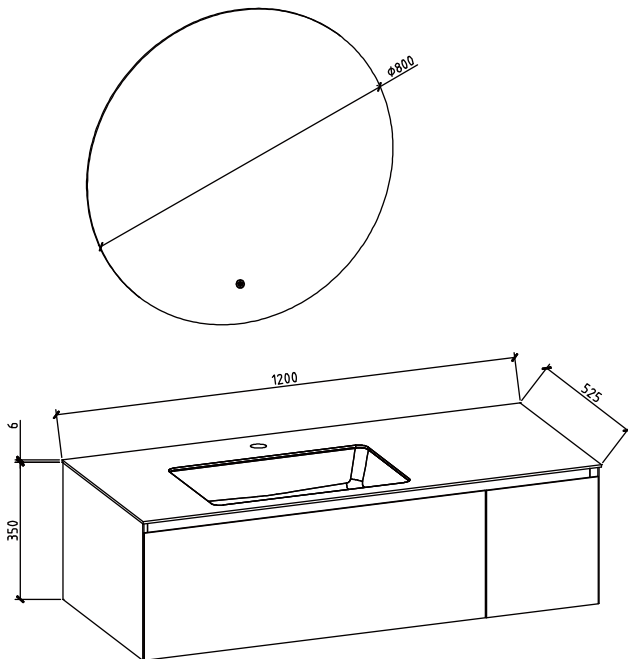
### Mirror :

(M408-800DF)  
φ800\*25mm (W\*D\*H)  
GW:9.02kg NW:7.56kg CBM:0.09m<sup>2</sup>

---

## Leon K013-1200

---



### Cabinet :

(C013CW-1200KMB5055)  
1194\*520\*350mm (W\*D\*H)  
GW:30.14kg NW:27.16kg CBM:0.31m<sup>2</sup>

### Countertop:

(U013Y-1200-8888/6)  
1200\*525\*6mm (W\*D\*H)  
GW:13.07kg NW:11.82kg CBM:0.06m<sup>2</sup>

### Basin:

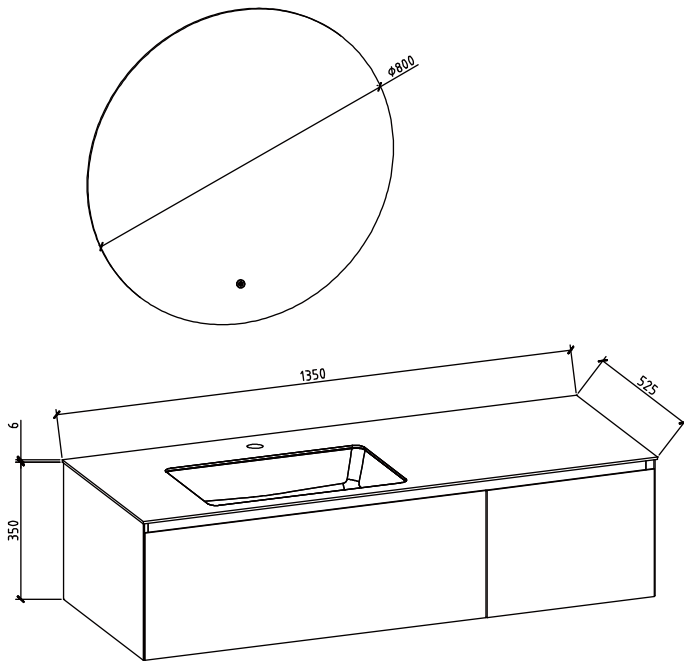
(B0801MW-T1-05736)  
565\*365\*165mm (W\*D\*H)  
GW:8.45kg NW:7.6kg CBM:0.07m<sup>2</sup>

### Mirror :

(M408-800DF)  
φ800\*25mm (W\*D\*H)  
GW:9.02kg NW:7.56kg CBM:0.09m<sup>2</sup>

## Leon K013-1350

---



### Cabinet :

(C013CW-1350KMB5055)  
1344\*520\*350mm (W\*D\*H)  
GW:35.27kg NW:32.08kg CBM:0.35m<sup>3</sup>

### Countertop:

(U013Y-1350-8888/6)  
1350\*525\*6mm (W\*D\*H)  
GW:15.06kg NW:13.67kg CBM:0.07m<sup>3</sup>

### Basin:

(B0801MW-T1-05736)  
565\*365\*165mm (W\*D\*H)  
GW:8.45kg NW:7.6kg CBM:0.07m<sup>3</sup>

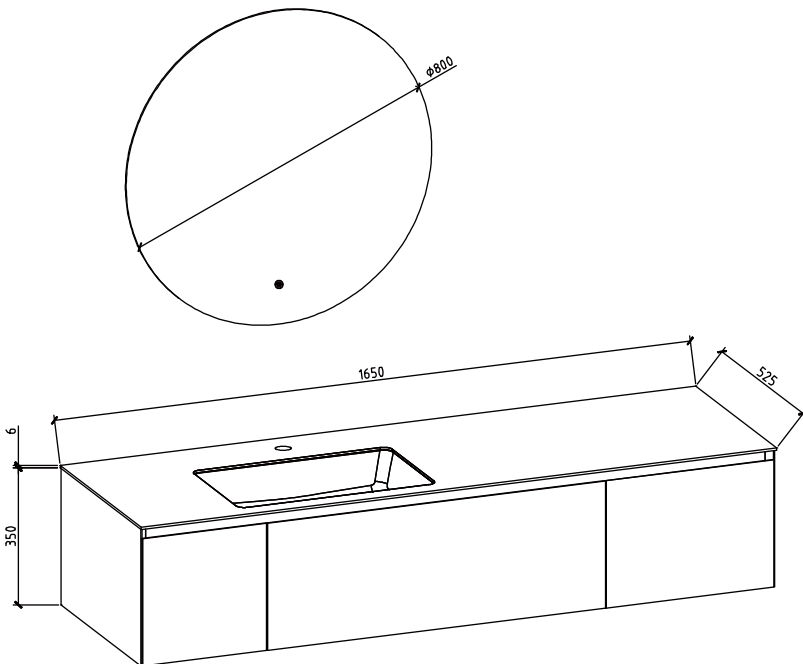
### Mirror :

(M408-800DF)  
800\*25mm (W\*D\*H)  
GW:9.02kg NW:7.56kg CBM:0.09m<sup>3</sup>

---

## Leon K013-1650

---



### Cabinet :

(C013CW-1650KMB5055)  
1644\*520\*350mm (W\*D\*H)  
GW:42.26kg NW:38.54kg CBM:0.42m<sup>3</sup>

### Countertop:

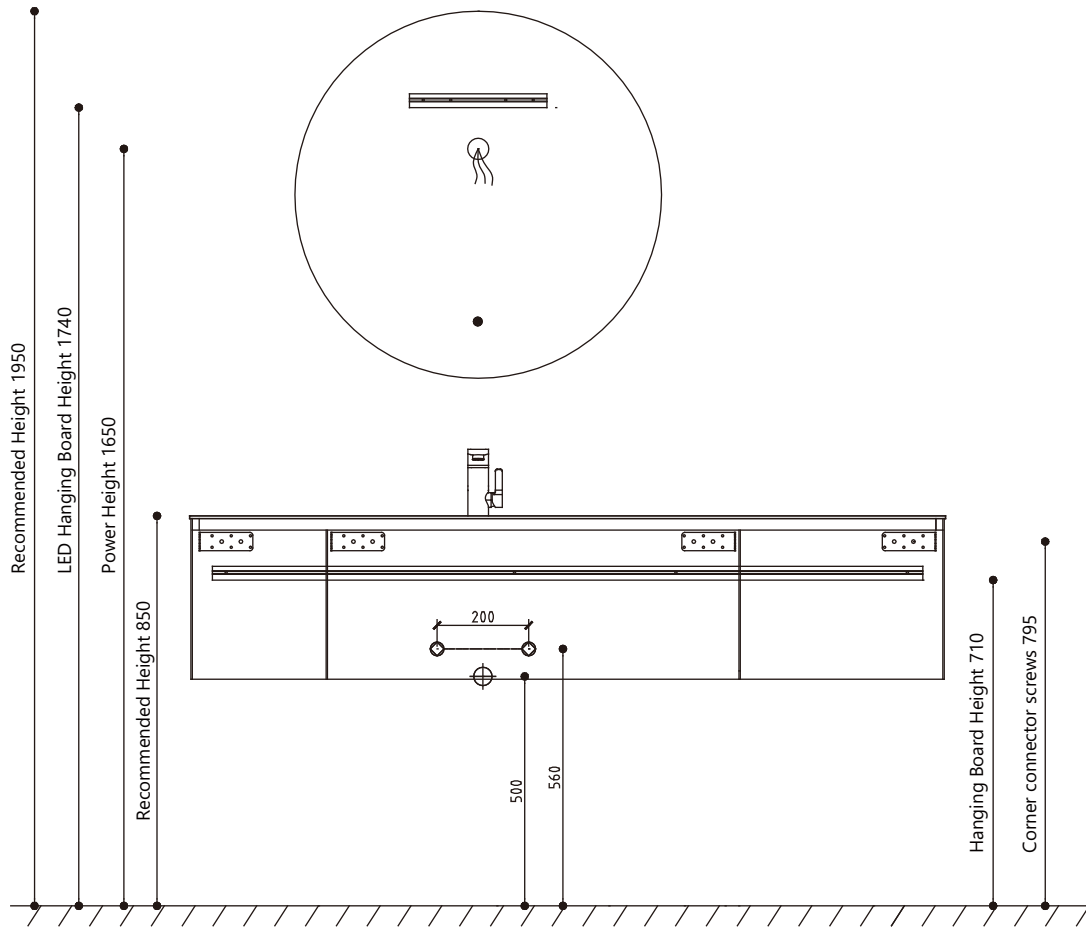
(U013Y-1650-8888/6)  
1650\*525\*6mm (W\*D\*H)  
GW:19kg NW:17.33kg CBM:0.08m<sup>3</sup>

### Basin:


(B0801MW-T1-05736)  
565\*365\*165mm (W\*D\*H)  
GW:8.45kg NW:7.6kg CBM:0.07m<sup>3</sup>


### Mirror :


(M408-800DF)  
800\*25mm (W\*D\*H)  
GW:9.02kg NW:7.56kg CBM:0.09m<sup>3</sup>



  
Installation of aluminum strip

  
The 220 v power supply  
Power supply and lighting control

  
L type corner connector

Cold-hot water  
  
Wall drainage  
