

Paola



Cabinet:

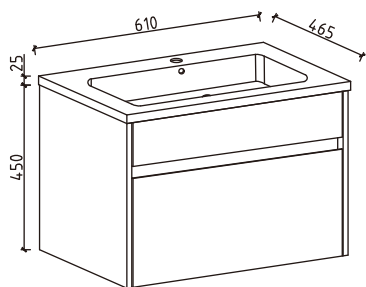
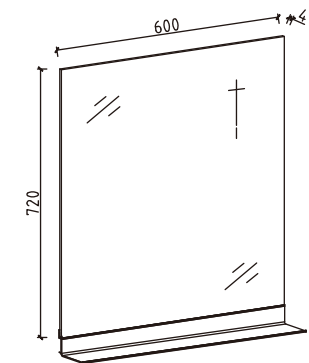
Material: MFC (Melamine faced chipboard)
Color: 6520 Cement Grey
Environment Certification: E1
Design: Bump texture, close to nature
Handle: 45° oblique cut invisible handle, anti-cutting hand anti-collision
Drawer running system: DTC soft closing wooden slide, noiseless while open or close, smoothly feeling.
Patent: ABS material ultra-thin u-shaped drainage pipeline access, offering more storage space while keeping nice look
Hanging system: H90

Basin:

Material: Ceramic integrated basin
Color: White Glossy
Features: Fired in high temperature, smooth surface and easy to clean
Design: Rectangle overflow hole makes the basin more flexible

Mirror:

Material: Silver mirror without copper
Features: Equipped with simply designed L shaped thin-edged shelf which provides more convenience for storage



Paola-600 V002-600

Cabinet :

(C002CW-600KMD6520)

600*455*450mm (W*D*H)

GW :20.3kg NW:18.4kg CBM:0.178m³

Basin:

(B1001GW-600)

610*465*170mm (W*D*H)

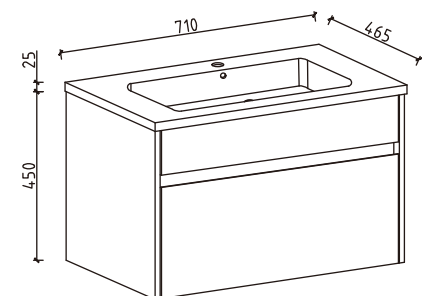
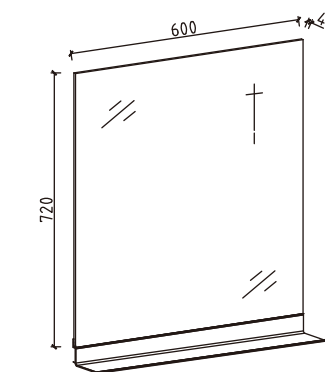
GW :13.0kg NW:11.0kg CBM:0.084m³

Mirror :

(M011-600B)

600*68*770mm (W*D*H)

GW :6.2kg NW:5.1kg CBM:0.04m³



Paola-700 V002-700

Cabinet :

(C002CW-700KMD6520)

700*455*450mm (W*D*H)

GW 22.4kg NW:20.3kg CBM:0.205m³

Basin:

(B1001GW-700)

710*465*170mm (W*D*H)

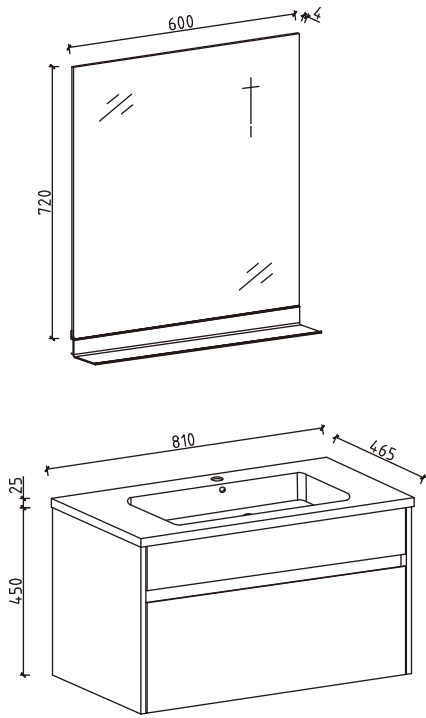
GW :17.0kg NW:15.0kg CBM:0.096m³

Mirror :

(M011-600B)

600*68*770mm (W*D*H)

GW :6.2kg NW:5.1kg CBM:0.04m³



Paola-800 V002-800

Cabinet :

(C002CW-800KMD6520)

800*455*450mm (W*D*H)

GW :24.5kg NW:22.2kg CBM:0.232m³

Basin:

(B1001GW-800)

810*465*170mm (W*D*H)

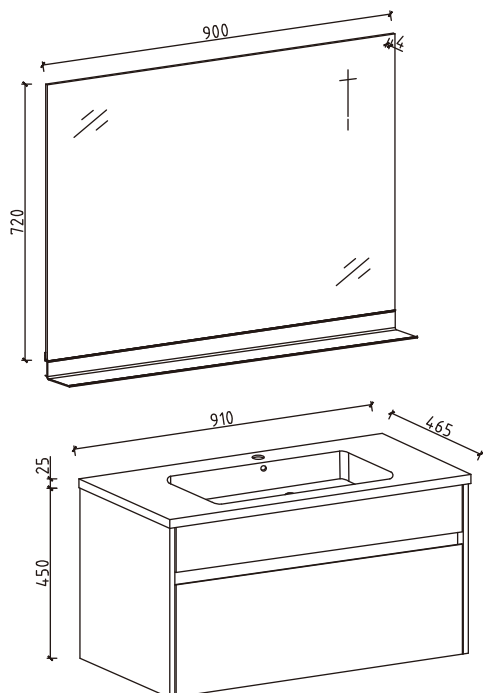
GW :18.5kg NW:16.5kg CBM:0.108m³

Mirror :

(M011-600B)

600*68*770mm (W*D*H)

GW :6.2kg NW:5.1kg CBM:0.04m³



Paola-900 V002-900

Cabinet :

(C002CW-900KMD6520)

900*455*450mm (W*D*H)

GW :26.6kg NW:24.2kg CBM:0.258m³

Basin:

(B1001GW-900)

910*465*170mm (W*D*H)

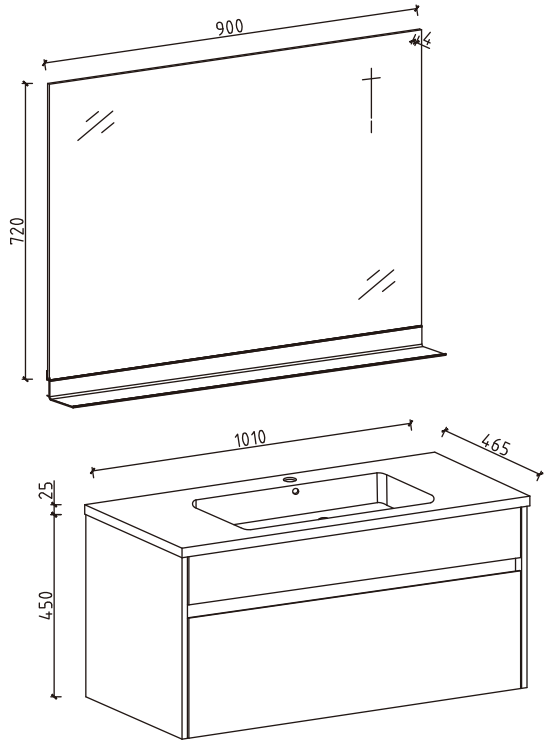
GW :19.8kg NW:17.8kg CBM:0.122m³

Mirror :

(M011-900B)

900*68*770mm (W*D*H)

GW :8.6kg NW:7.2kg CBM:0.058m³



Paola-800 V002-800

Cabinet :

(C002CW-1000KMD6520)
 1000*455*450mm (W*D*H)
 GW :28.9kg NW:26.4kg CBM:0.285m³

Basin:

(B1001GW-1000)
 1010*465*170mm (W*D*H)
 GW :20.3kg NW:18.3kg CBM:0.134m³

Mirror :

(M011-900B)
 900*68*770mm (W*D*H)
 GW :8.6kg NW7.2kg CBM:0.058m³

