

# Allen



## Cabinet:

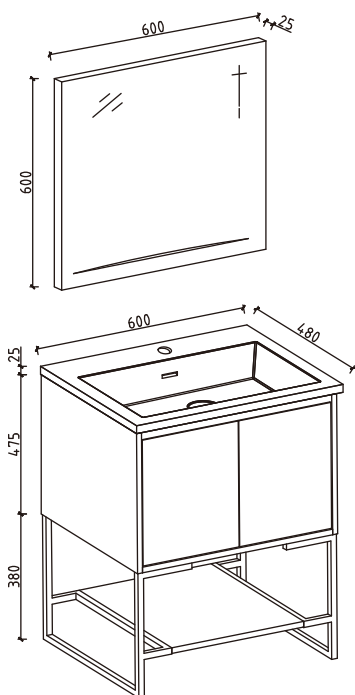
Material: MFC (Melamine faced chipboard)  
Color: 6520 Cement Grey  
Environment Certification: E1  
Design: Collision of cement and ash panel with ferrous metal  
Handle: 45° oblique cut invisible handle, anti-cutting hand anti-collision  
Drawer running system: DTC soft closing damping guide rail, noiseless while open or close, solid and rust proof  
Hanging System: H90

## Basin:

Material: Resin basin  
Color: White glossy  
Features: High quality raw materials, DSM gel coating material from Netherlands, with Reach certificated, food-grade safety  
Design: with Steel mold, high accuracy in R angle, better in flatness and feeling; Integrated molding, easy to clean, anti-bacteria and anti-yellowing

## Mirror:

Material: Silver mirror without copper, Eco-friendly  
Design: Rectangle design  
Features: ICON touch switch, guide your way in night. Aluminum frame with the hanging system, which can be slightly adjusted to left or right, easy to be installed.



## Allen-600 V007-600

---

### Cabinet :

(C007CF-600KJD6520)

594\*475\*500mm (W\*D\*H)

GW :19.3kg NW:17.4kg CBM:0.183m<sup>3</sup>

### Basin:

(B0002GW-600)

600\*480\*150 mm (W\*D\*H)

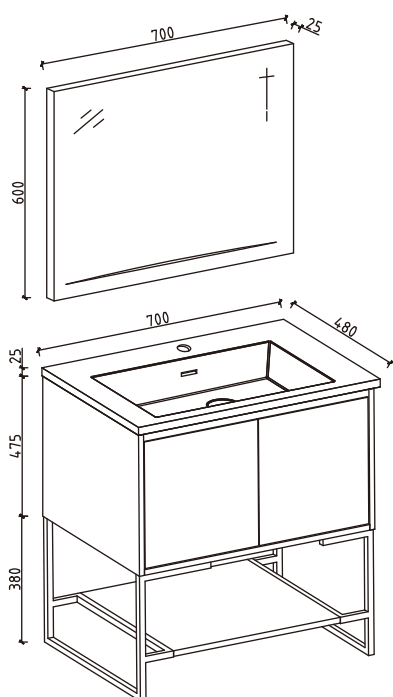
GW :13.6kg NW:12.6kg CBM:0.073m<sup>3</sup>

### Mirror :

(M020-600D)

600\*25\*600mm (W\*D\*H)

GW :6.0kg NW:5.1kg CBM:0.047m<sup>3</sup>



## Allen-700 V007-700

---

### Cabinet :

(C007CF-700KJD6520)

700\*475\*500 mm (W\*D\*H)

GW :21.6kg NW:19.5kg CBM:0.211m<sup>3</sup>

### Basin:

(B0002GW-700)

700\*480\*150 mm (W\*D\*H)

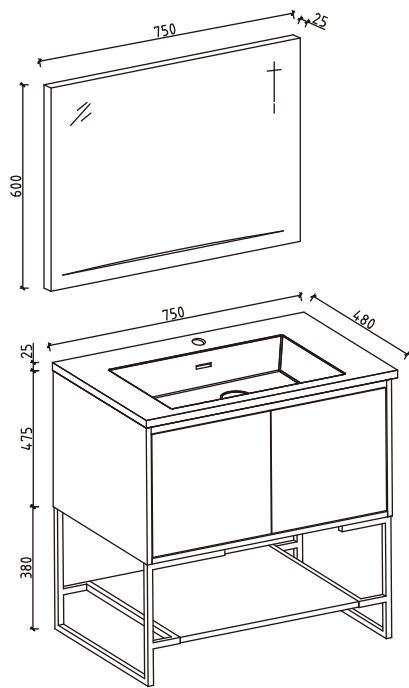
GW :15.1kg NW:14.0kg CBM:0.084m<sup>3</sup>

### Mirror :

(M020-700D)

700\*25\*600mm (W\*D\*H)

GW :7.0kg NW:5.9kg CBM:0.054m<sup>3</sup>



## Allen-750 V007-750

---

### Cabinet :

(C007CF-750KJD6520)

744\*475\*500mm (W\*D\*H)

GW :22.7kg NW:20.5kg CBM:0.225m<sup>3</sup>

### Basin:

(B0002GW-750)

750\*480\*150 mm (W\*D\*H)

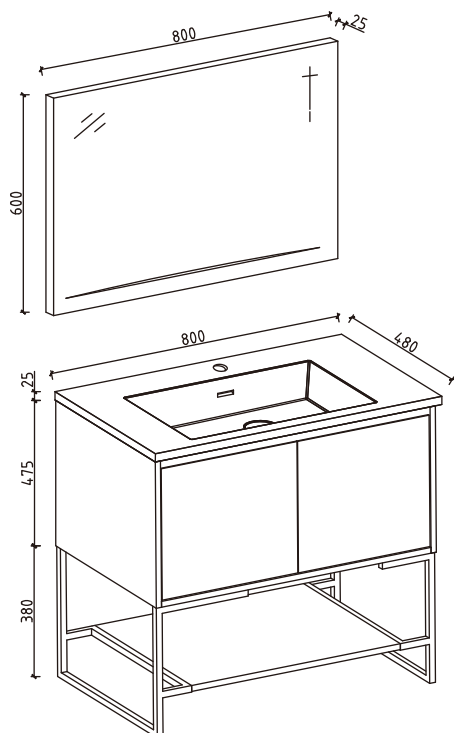
GW :15.4kg NW:14.3kg CBM:0.083m<sup>3</sup>

### Mirror :

(M020-750D)

750\*25\*600mm (W\*D\*H)

GW :7.5kg NW:6.4kg CBM:0.057m<sup>3</sup>



## Allen-800 V007-800

---

### Cabinet :

(C007CF-800KJD6520)

794\*475\*500mm (W\*D\*H)

GW :23.9kg NW:21.6kg CBM:0.239m<sup>3</sup>

### Basin:

(B0002GW-800)

800\*480\*150mm (W\*D\*H)

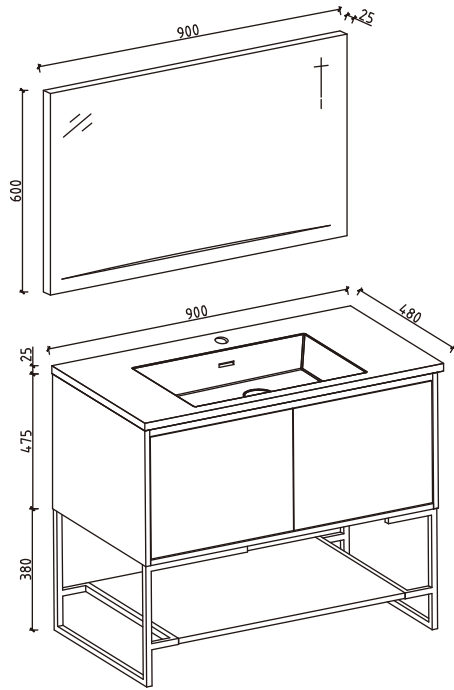
GW :16.5kg NW:15.3kg CBM:0.088m<sup>3</sup>

### Mirror :

(M020-800D)

800\*25\*600mm (W\*D\*H)

GW :8.0kg NW:6.8kg CBM:0.061m<sup>3</sup>



## Allen-900 V007-900

---

### Cabinet :

(C007CF-900KJD6520)

894\*475\*500mm (W\*D\*H)

GW :26.1kg NW:23.7kg CBM:0.267m<sup>3</sup>

### Basin:

(B0002GW-900)

900\*480\*150mm (W\*D\*H)

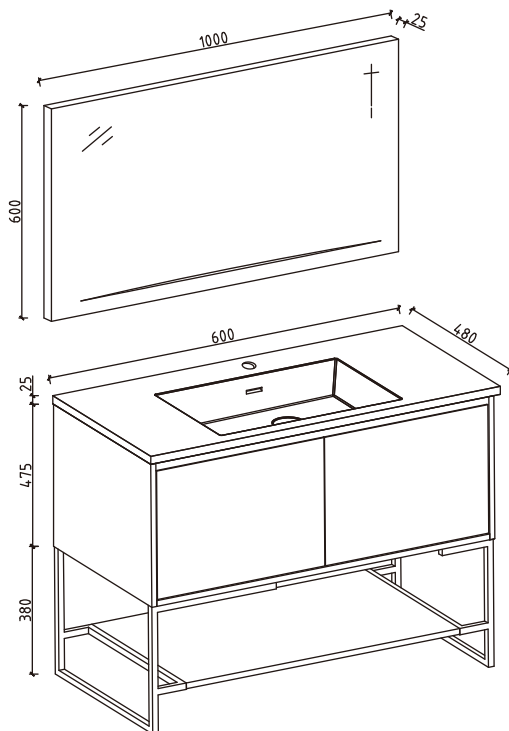
GW :18.1kg NW:16.8kg CBM:0.098m<sup>3</sup>

### Mirror :

(M020-900D)

900\*25\*600mm (W\*D\*H)

GW :9.0kg NW:7.7kg CBM:0.067m<sup>3</sup>



## Allen-1000 V007-1000

---

### Cabinet :

(C007CF-1000KJD6520)

994\*475\*500mm (W\*D\*H)

GW :28.7kg NW:26.0kg CBM:0.295m<sup>3</sup>

### Basin:

(B0002GW-1000)

1000\*480\*150mm (W\*D\*H)

GW :19.3kg NW:20.7kg CBM:0.109m<sup>3</sup>

### Mirror :

(M020-1000D)

1000\*25\*600mm (W\*D\*H)

GW :10.0kg NW:8.6kg CBM:0.074m<sup>3</sup>

