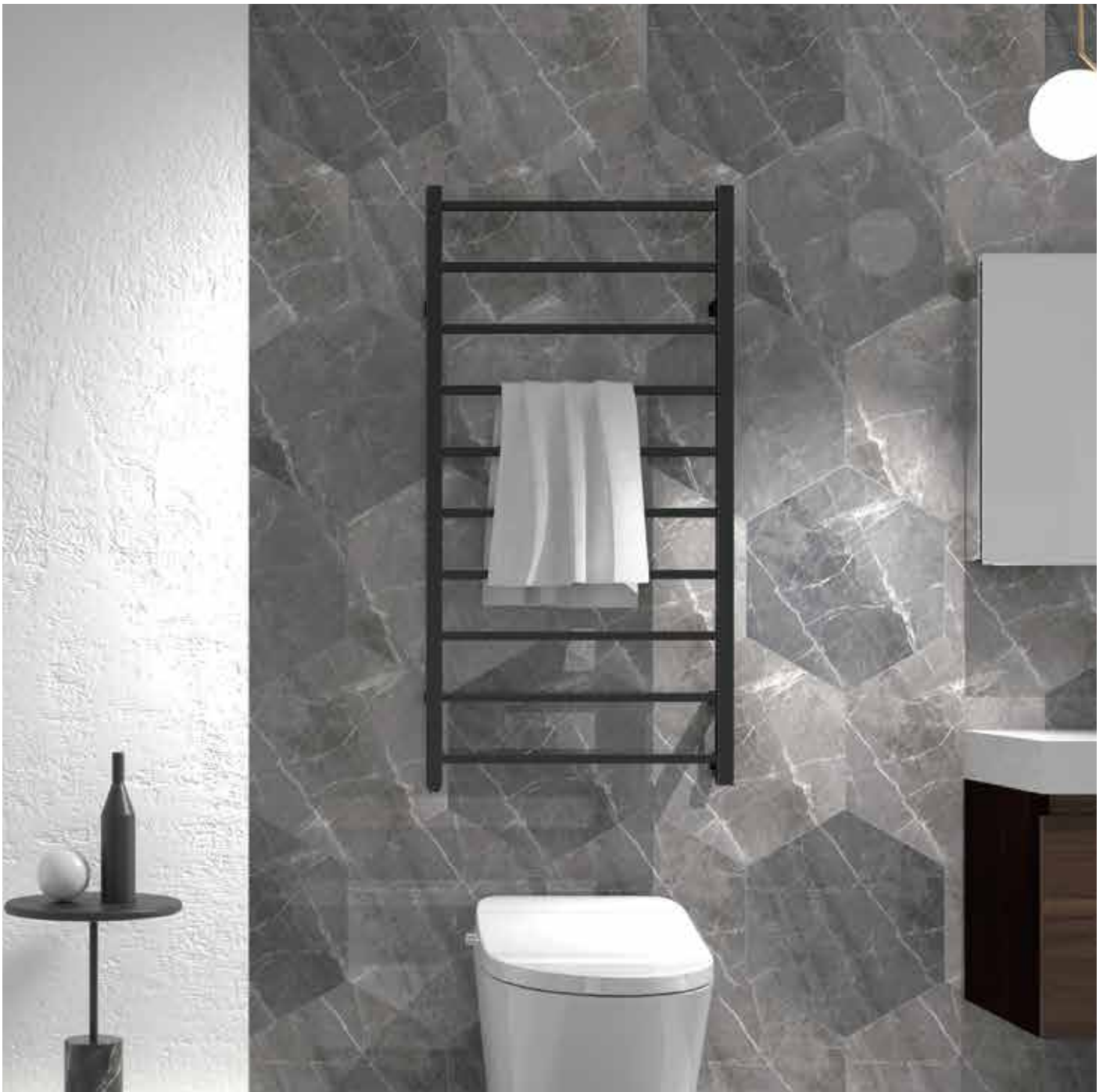


HE009-E



Product Features

- Stainless Steel SS304, corrosion resistance and have long time
- Fast heating
- Energy saving
- The installation method is dual-purpose design, which can be installed in open or dark wires
- Four-legs design, more concise and regular than five-legs
- Square tube design, can match the furniture with square tube elements

HE009-E



Seamless welding



Constant temperature



Uniform heating



Safety and waterproof



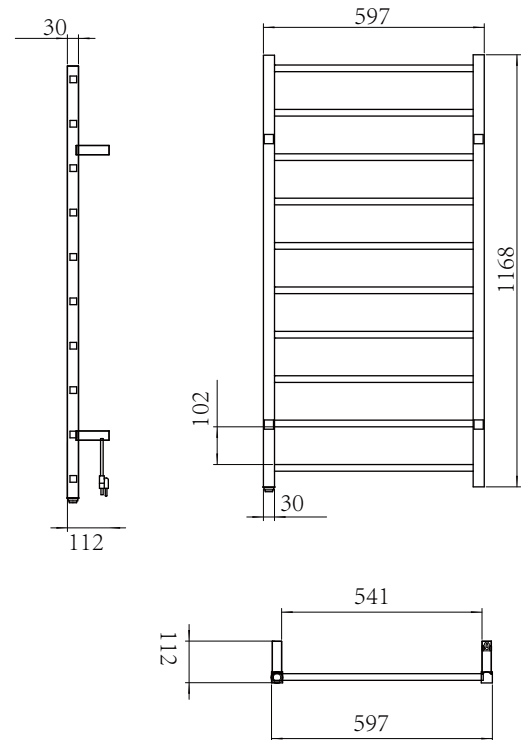
Disinfection sterilization



Safe not hot

Information

Brand Name	TONA
Product Name	Towel Radiator
Materia	Stainless Steel SS304
Color	Polished/Brushed/Matte Black
Size	1168*597*112mm
Rated Power	150W
N.KG	5.6kg



Colour



Matte Black



Polished



Brushed