

# HE008-E



## Product Features

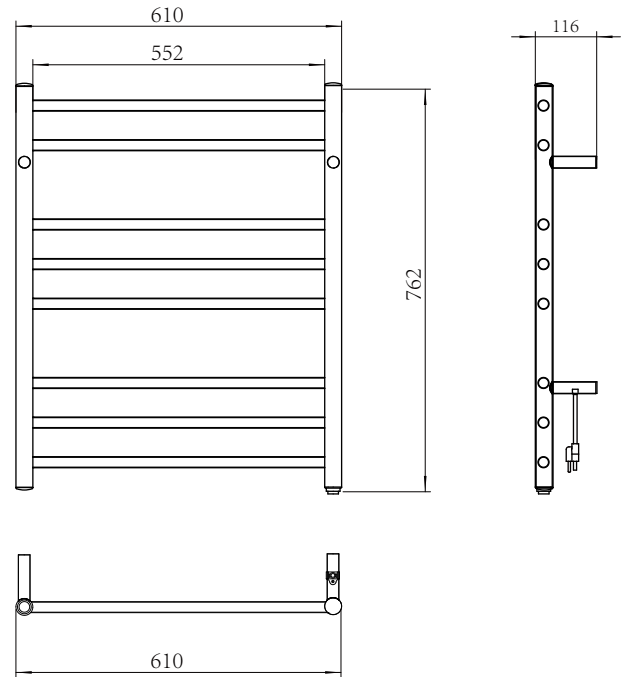
- Stainless Steel SS304, corrosion resistance and have long time
- Fast heating
- Energy saving
- The installation method is dual-purpose design, which can be installed in open or dark wires
- Four-legs design, more concise and regular than five-legs

# HE008-E



## Information

Brand Name	TONA
Product Name	Towel Radiator
Material	Stainless Steel SS304
Color	Polished/Brushed/Matte Black
Size	762*610*116 mm
Rated Power	150W
N.KG	4.6kg



## Colour



Matte Black



Polished



Brushed