

N305-10 NICHE



N305-10B



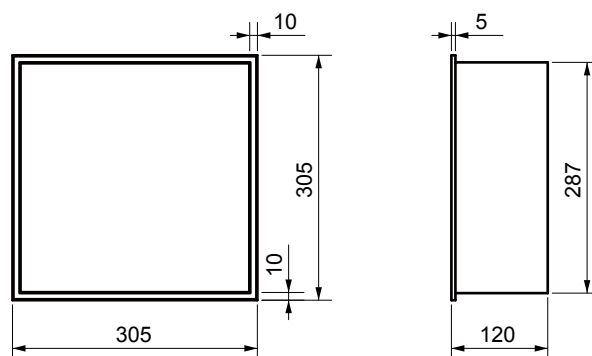
N305-10G



N305-10J

Information

Brand Name	TONA
Product Name	NICHE
Material	304 Stainless Steel
Color	Brushed Black/Grey/Gold
Size	305*305*120mm
N.KG	2.4kg



Features

- High-quality 304 stainless steel, made of 1.2mm thick steel plate, durable
- One-piece frame is welded seamlessly, no water is accumulated in the corners
- The bottom edge in one piece, and the four inner corners are seamless and impermeable
- Unique fingerprint-free process, no water, no stains
- Exquisite wire drawing treatment on the surface, easy to clean, corrosion-resistant and wear-resistant
- More safer and beautiful by entering the wall, and increases the wall storage space