

HE010-E



Product Features

- Low-carbon steel raw materials, reliable quality
- Classic round tube bending design
- Products can be heated by hot water or by heating rods, which can be used in various ways
- Chrome, white, matte black multi-color optional
- Adjustable support, suitable for a variety of wall installations of different specifications
- Brazing process, the welding seam is smooth, no drought scars, no water leakage

HE010-E



Seamless welding



Constant temperature



Uniform heating



Safety and waterproof



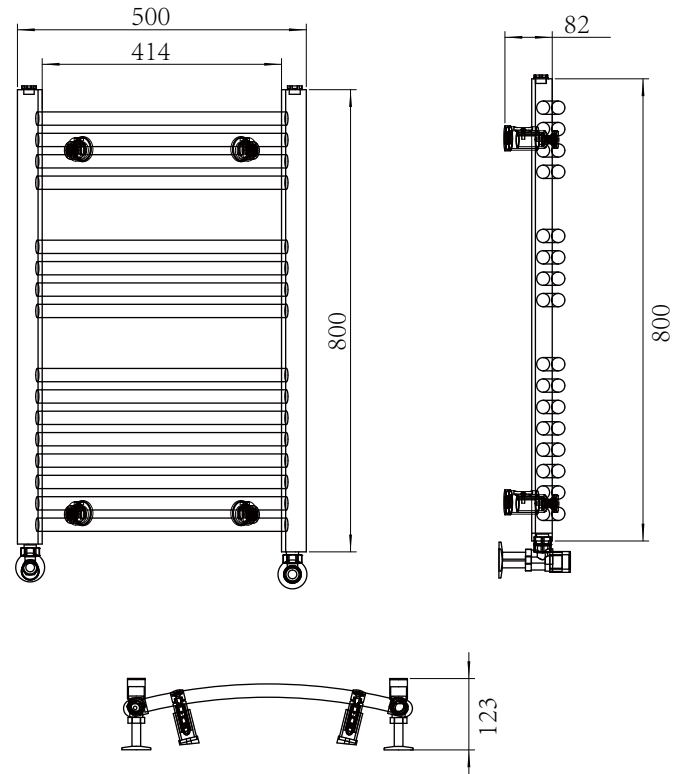
Disinfection sterilization



Safe not hot

Information

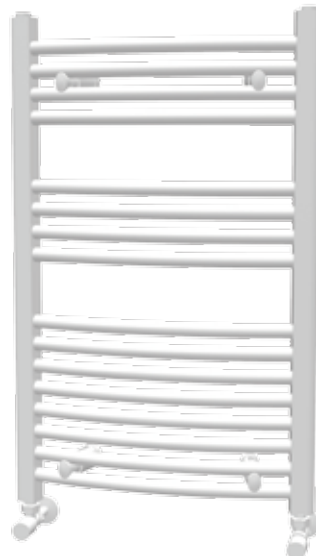
Brand Name	TONA
Product Name	Towel Radiator
Material	Low carbon steel
Color	Chrome/White/Matte Black
Size	800*500*123mm
Rated Power	246W/358W/358W
N.KG	6.5kg



Colour



Matte Black



White



Chrome