

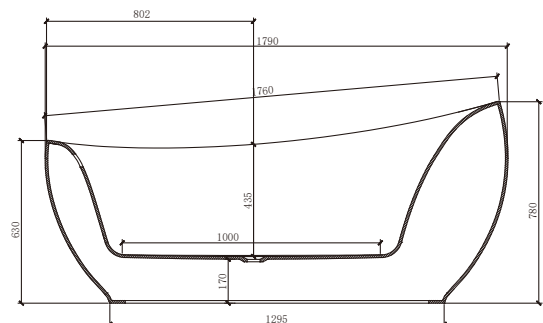
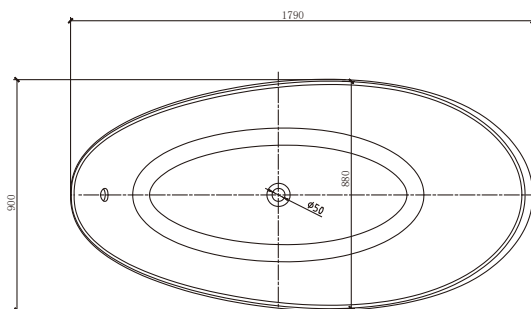


Information

Brand Name	TONA
Product Name	Bathtub
Material	Acrylic
Color	White Glossy
Production Process	Seamless butt joint
Installation Method	Freestanding
Faucet	Without faucet
Component	Bathtub+Pop up+Overflow hole+Drain Pipe

Model	YY018-1800W
Specification	1790*900*780mm
N.kg	63kg
G.kg	71.4kg
Volume	1.34m ³
Drain _(The distance from to the ground)	170mm
Capacity	180L

Technical drawing



Note: The size is measured manually, with the ± 2 cm of error. Please in kind prevail.