



**APPROVAL SHEET
FOR
PIEZO BUZZER**

常州富鸿达电子有限公司

CHANG ZHOU FHD ELECTRONICS CO., LTD.

CLUE No.: L21010806

OUR PART No.:

MODEL No.: BP1470C-40

DOCUMENT No.:

| CUSTOMER | APPROVED | CHECKED |
|----------|----------|---------|
| | | |

Add: Xujia Industrial Park, ZhengLu Town, Changzhou City, Jiangsu China.

江苏省常州市天宁区郑陆镇工业大道2号

Tel:+86-519-8382 2009

Fax:+86-519-8873 9926


Email: sales@czfhd.com; <http://www.czfhd.com>

推荐规格书

| | | | |
|--|------|----------|-------------------|
| Specification for Piezoelectric Ceramic Buzzer Pin Type | | Des. | Page 2 of 6 |
| | | Wang Min | Update/2020-01-04 |
| Model No.: BP1470C-40 | P/N: | Chk. | Apr. |
| | | | |

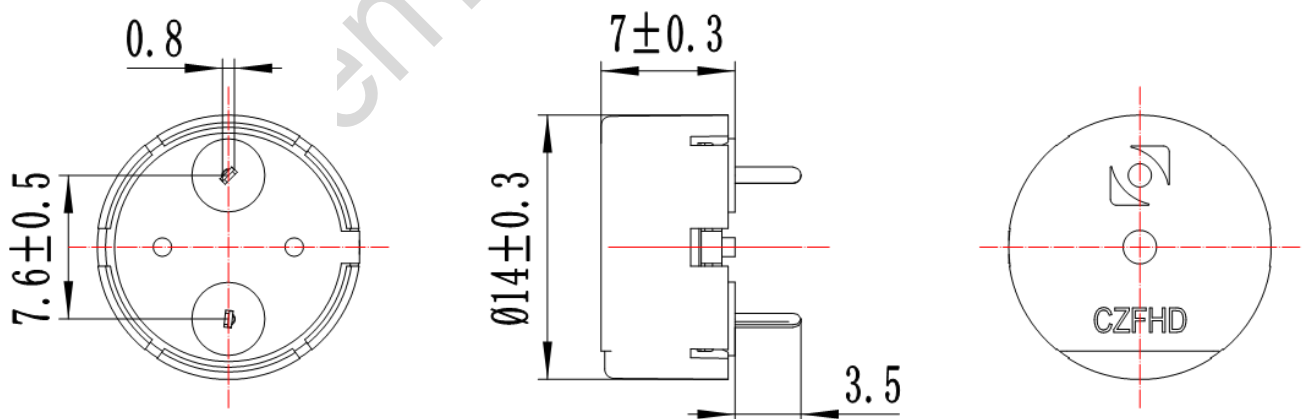
| 1. Document revision history | | | | |
|-------------------------------------|----|------|------|-----|
| 修改时间 | 版本 | 修改页次 | 修改内容 | 确认人 |
| | | | | |
| | | | | |
| | | | | |
| | | | | |
| | | | | |
| | | | | |
| | | | | |
| | | | | |
| | | | | |
| | | | | |
| | | | | |
| | | | | |
| | | | | |
| | | | | |
| | | | | |
| | | | | |
| | | | | |
| | | | | |
| | | | | |

| | | | |
|--|------|----------|-------------------|
| Specification for Piezoelectric Ceramic Buzzer Pin Type | | Des. | Page 3 of 6 |
| | | Wang Min | Update/2020-01-04 |
| Model No.: BP1470C-40 | P/N: | Chk. | Apr. |
| | | | |

| | |
|---|---|
| <p>2. Technical Parameter Measuring condition</p> <p>Part shall be measured under a condition (Temperature: 5~35°C, Humidity: 45% ~ 85%R.H., Atmospheric pressure: 860 ~ 1060hPa) unless the standard condition (Temperature: 25±3°C, Humidity: 60±10%R.H. Atmospheric pressure: 860 ~ 1060hPa) is regulated to measure.</p> |  |
|---|---|

| | | |
|---|-----------------------|--|
| 1 | Resonant Frequency | 4000Hz |
| 2 | Operating Voltage | 3~30 Vp-p |
| 3 | Rated Current | Max.3mA , At 4KHz 50% duty Square Wave 5Vp-p |
| 4 | Sound Output at 10cm | Min.85dB, At 4KHz 50% duty Square Wave 5Vp-p |
| 5 | Capacitance | 12000±30% pF At 1KHz |
| 5 | Operating Temperature | -20°C~+80°C |
| 6 | Store Temperature | -30°C~+85°C |
| 7 | Net Weight | Approx 0.9g |
| 8 | RoHS | Yes |

3. Dimensions Unit: mm



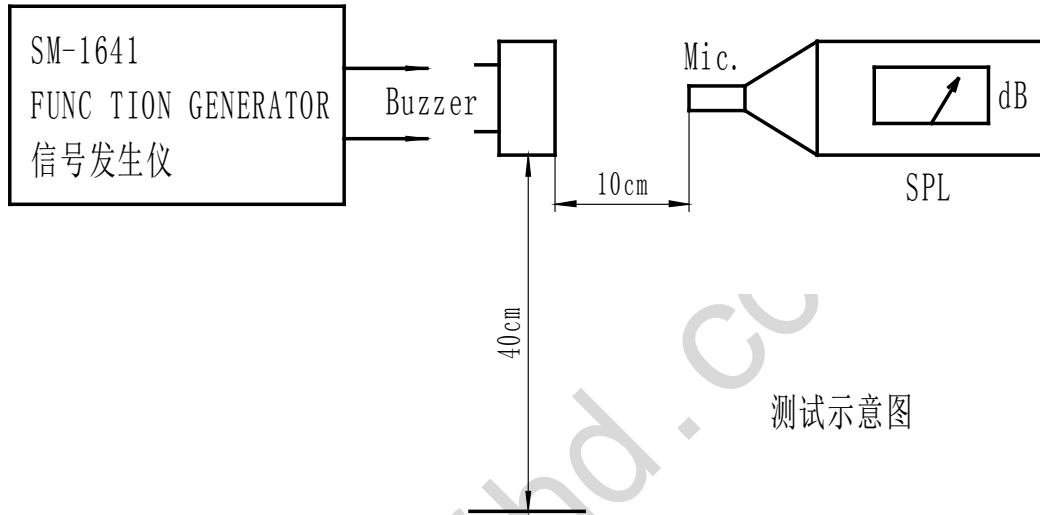
*Unit: mm; Tolerance: ± 0.5 mm Except Specified

*Housing Material: Black PBT

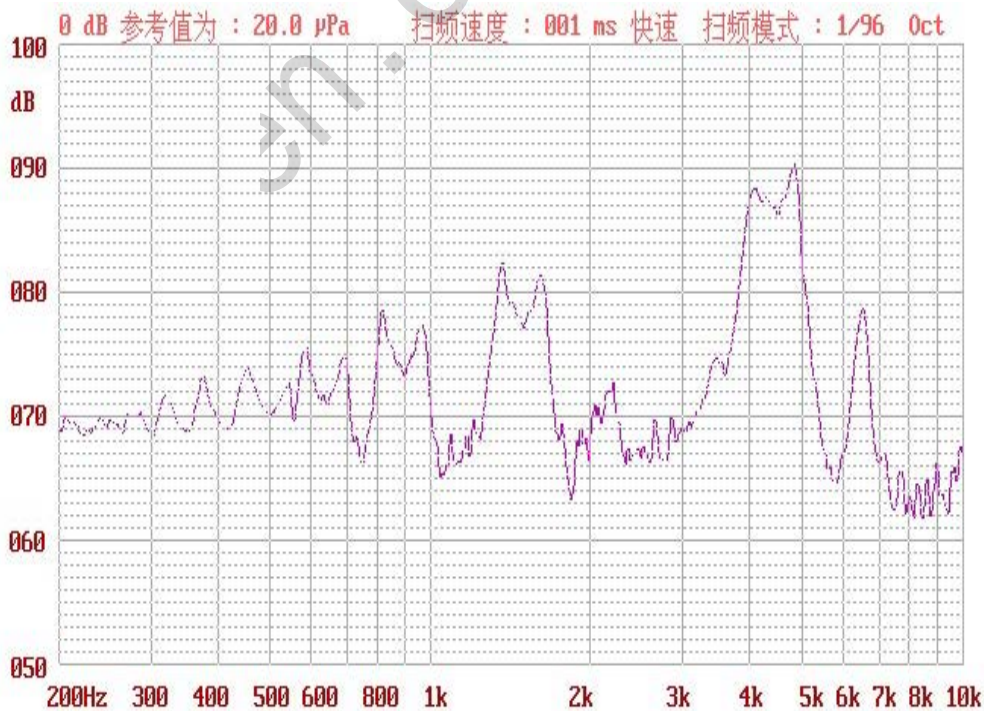
| | | | |
|--|------|----------|-------------------|
| Specification for Piezoelectric Ceramic Buzzer Pin Type | | Des. | Page 4 of 6 |
| | | Wang Min | Update/2020-01-04 |
| Model No.: BP1470C-40 | P/N: | Chk. | Apr. |
| | | | |

4. Electrical And Acoustical Measuring Condition

Recommended Setting



5. Frequency Response



5Vp-p 50% duty Square wave@10cm

| | | | |
|--|------|----------|-------------------|
| Specification for Piezoelectric Ceramic Buzzer Pin Type | | Des. | Page 5 of 6 |
| | | Wang Min | Update/2020-01-04 |
| Model No.: BP1470C-40 | P/N: | Chk. | Apr. |
| | | | |

6. Reliability Test

After any following tests the part shall meet specifications without any degradation in appearance and performance except SPL. SPL shall not deviate more than -5 dB from the initial value

a) Ordinary Temperature Life Test

The part shall be subjected to 96 hours at $25 \pm 10^\circ\text{C}$. Input rated voltage
Resonant frequency, 1/2 duty Square wave.

b) High Temperature Test

The part shall be capable of with standing a storage temperature of $+85^\circ\text{C}$ for 96 hours.

c) Low Temperature Test

The part shall be capable of with standing a storage temperature of -30°C for 96 hours.

d) Humidity Test

Temperature: $+40^\circ\text{C} \pm 3^\circ\text{C}$ Relative Humidity: 90%~95% Duration: 48 hours
and expose to room temperature for 6 hours

e) Temperature Shock Test

Temperature: 60°C /1hour \rightarrow 25°C /3hours \rightarrow -20°C /1hour \rightarrow 25°C /3hours (1cycle)
Total cycle: 10 cycles

f) Drop Test

Standard Packaging From 75cm(Drop on hard wood or board of 5cm thick,
three sides, six plain.)

g) Vibration Test

Vibration: 1000cycles /min. Amplitude: 1.5mm, Duration: 1 hour in each 3 axes

Note:

As this product is not protected from foreign material entering, please make sure that any foreign materials (e.g. magnetic powder, washing solvent, flux, corrosive gas) do not enter this product in your production processes. The functional degradation (e.g. SPL down) may occur if foreign material enter it.

| | | | |
|--|------|----------|-------------------|
| Specification for Piezoelectric Ceramic Buzzer Pin Type | | Des. | Page 6 of 6 |
| | | Wang Min | Update/2020-01-04 |
| Model No.: BP1470C-40 | P/N: | Chk. | Apr. |
| | | | |

7. Packing

| | |
|------|--|
| 包装要求 | 1. 泡沫板 150PCS/板; 泡沫板料号: F6-703 2. 内盒 1500PCS/盒 上盒料号: F6-057 下盒料号: F6--058 3. 外箱 6000PCS/箱 料号: F6-022 外箱尺寸 40.5*40*19.5cm |
| 唛头要求 | 内盒: 按订单要求 |
| | 外箱: 按订单要求 |

