



**APPROVAL SHEET
FOR
MYLAR SPEAKER**

常州富鸿达电子有限公司

CHANG ZHOU FHD ELECTRONICS CO., LTD.

CUSTOMER No.:

CLUE No.:

MODEL No.: FHDQT30A-001

OUR PART No.:

CUSTOMER PART No.:

CUSTOMER	APPROVED	CHECKED
SIGNECTURE (Customer)	SIGNECTURE (Company)	

Add: Xujia Industrial Park, ZhenLu Town, Changzhou City, Jiangsu China.

江苏省常州市武进区东青镇

Tel: +86-519-83822009

Fax: +86-519-83822007

Email: sales@czfhd.com; <http://www.czfhd.com>

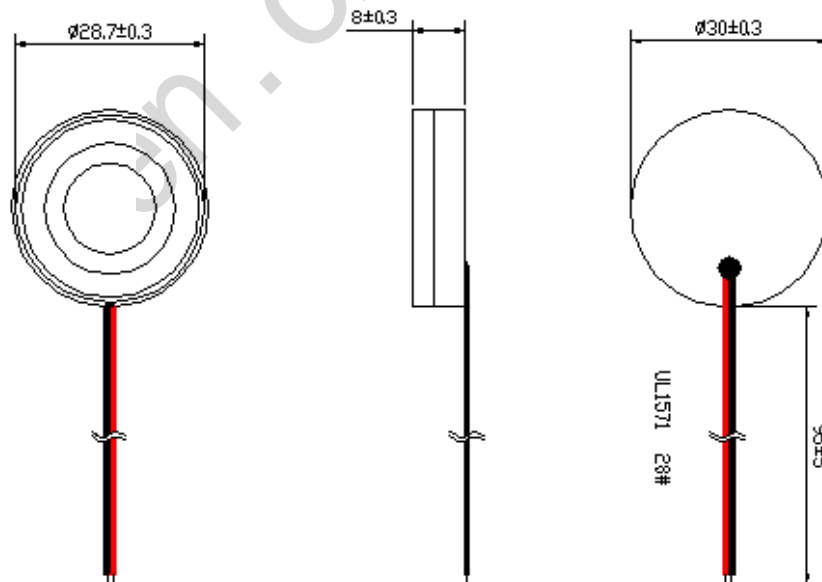
Specification for mylar speaker			Update	Page 3 of 5
			Des.	Chk.
Model No.:	FHDQT30A-001	P/N:	Xu Fei	Jiang Yin
			8/18/2021	8/18/2021

1. SPECIFICATION

Speaker

1	Dimension	30*H8.0mm
2	Impedance	4 Ω ±20% at 2 KHz 1.0Vms Sine Wave
3	Rated Input Power	2.0W
4	Max Input Power	2.2W
5	Lowest Resonance Frequency	1250HZ ± 20% at 1.0V Sine wave
6	Audible Noise	Must be free audible noise (buzzes and rattles)(F0 ~ 15KHz frequency range ,input level up to 2.83V)
7	Sound Pressure Level	96 ± 3dB(AT 0.1m/2.0W, Average at 1KHZ)
8	Distortion	Not exceed 10% at 2KHz 2W
9	Operating Temperature	-20℃ ~ +60℃
10	Store Temperature	-30℃ ~ +70℃

2. Dimensions



*Unit: mm; Tolerance: ± 0.3 mm Except Specified

Specification for mylar speaker			Update	Page 4 of 5
			Des.	Chk.
Model No.:	FHDQT30A-001	P/N:	Xu Fei	Jiang Yin
			8/18/2021	8/18/2021

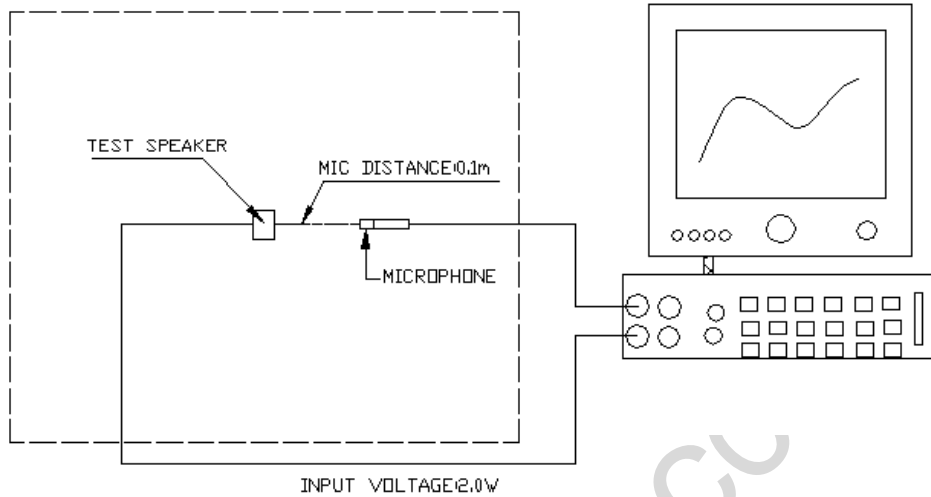
3. Reliability Test 可靠性測試

3.1	High Temperature Test	High Temperature: +70°C±3°C Duration : 96 hours
3.2	Low Temperature Test	Low Temperature: -30°C±3°C Duration : 96 hours
3.3	Humidity Test	Temperature: +40°C±5°C Relative humidity: 90%~96% RH Duration : 96 hours
3.4	Vibration Test	Vibration: 10Hz~500Hz Amplitude: 0.35mm or acceleration : 50m/s ² Duration : 2h per axis=10 cycles ; 3 axis
3.5	Temperature Cycle Test	Temperature: -30°C ↔ +70°C Duration : 2 hours 2 hours Cycle: 6 Cycle
3.6	Drop Test (under the unit)	Height: 1.0m Cycle: 10 Cycles
3.7	Load Test	Noise: White noise Power: 2.0W Duration: 96 hours and satisfy the test listed on item 05,08,14.

Sensitivity difference shall be within (3dB) and should satisfy the test described under item 14 after each following test

Specification for mylar speaker			Update	Page 5 of 5
Model No.:	FHDQT30A-001	P/N:	Des.	Chk.
			Xu Fei	Jiang Yin
			8/18/2021	8/18/2021

4. Electrical And Acoustical Measuring Condition



5. Frequency Response

