



**APPROVAL SHEET  
FOR  
PIEZO BUZZER**

**常州富鸿达电子有限公司**

**CHANG ZHOU FHD ELECTRONICS CO., LTD.**

CLUE No.:

MODEL NUMBER: BPC2495W100-2435

OUR PART No.:

DOCUMENT No.:

CUSTOMER	APPROVED	CHECKED

Add: Xujia Industrial Park, ZhengLu Town, Changzhou City, Jiangsu China.

江苏省常州市天宁区郑陆镇工业大道 2 号

Tel:+86-519-83822009

Fax:+86-519-88739926

Email: sales@czfhd.com;

<http://www.czfhd.com>



<b>Specification for Piezoelectric Ceramic Buzzer With built-in oscillating circuit (Wire Type)</b>		Des.	Page 3 of 5
		Wang Min	Update/2020-06-20
ModelNo.:BPC2495W100-2435	Part No.	Chk.	Apr.

## 2. Technical Parameter

Measuring condition

Part shall be measured under a condition (Temperature: 5~35°C, Humidity: 45% ~ 85%R.H., Atmospheric pressure: 860 ~ 1060hPa) unless the standard condition (Temperature: 25±3°C, Humidity: 60±10%R.H. Atmospheric pressure: 860 ~ 1060hPa) is regulated to measure.

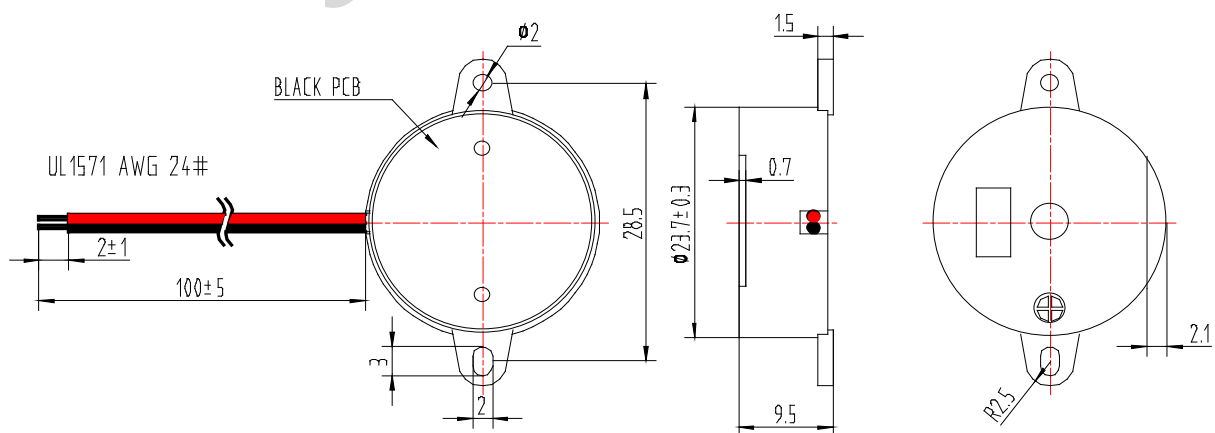


1	Rated Voltage	24VDC
2	Operating Voltage	15- 28 VDC
3	Rated Current	Max.30mA, at 24VDC
4	Sound Output at 10cm	Min95dB at 24VDC
5	Resonant Frequency	3500 ± 500 Hz
6	Tone	Continuous
7	Operating Temperature	-20 - +70°C
8	Storage Temperature	-30 - +80°C
9	RoHS	Yes
10	Weight	Approx 3g

## 3. Dimensions

Unit: mm

Tolerance: ±0.5mm Except Specified



\*Housing Material: Black ABS

<b>Specification for Piezoelectric Ceramic Buzzer With built-in oscillating circuit (Wire Type)</b>		Des.	Page 4 of 5
		Wang Min	Update/2020-06-20
ModelNo.:BPC2495W100-2435	Part No.	Chk.	Apr.

#### 4. Reliability Test

After any following tests the part shall meet specifications without any degradation in appearance and performance except SPL. SPL shall not deviate more than -10 dB from the initial value

##### 4.1 Ordinary Temperature Life Test

The part shall be subjected to 96 hours at  $25 \pm 10^\circ\text{C}$ . Input rated voltage Resonant frequency, 1/2 duty Square wave.

##### 4.2 High Temperature Test

The part shall be capable of with standing a storage temperature of  $+80^\circ\text{C}$  for 96 hours.

##### 4.3 Low Temperature Test

The part shall be capable of with standing a storage temperature of  $-30^\circ\text{C}$  for 96 hours.

##### 4.4 Humidity Test

Temperature:  $+40^\circ\text{C} \pm 3^\circ\text{C}$  Relative Humidity: 90%~95% Duration: 48 hours and expose to room temperature for 6 hours

##### 4.5 Temperature Shock Test

Temperature:  $70^\circ\text{C}$  /1hour  $\rightarrow$   $25^\circ\text{C}$ /3hours  $\rightarrow$   $-30^\circ\text{C}$ /1hour  $\rightarrow$   $25^\circ\text{C}$ /3hours (1cycle)

Total cycle: 10 cycles

##### 4.6 Drop Test

Standard Packaging From 75cm (Drop on hard wood or board of 5cm thick, three sides, six plain.)

##### 4.7 Vibration Test

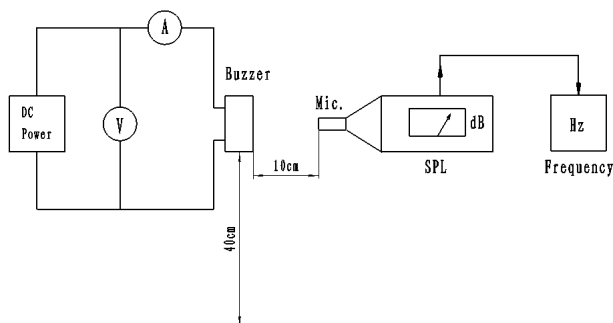
Vibration: 1000cycles /min. Amplitude: 1.5mm, Duration: 1 hour in each 3 axes

#### Note:

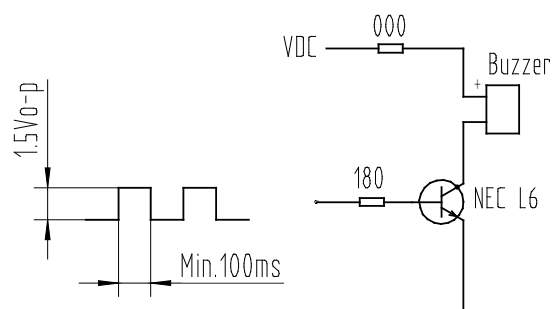
As this product is not protected from foreign material entering, please make sure that any foreign materials (e.g. magnetic powder, washing solvent, flux, corrosive gas) do not enter this product in your production processes. The functional degradation (e.g. SPL down) may occur if foreign material enter it.

#### 5. Electrical And Acoustical Measuring Condition

##### a) Recommended Setting



##### b) Recommended Test Circuit



<b>Specification for Piezoelectric Ceramic Buzzer With built-in oscillating circuit (Wire Type)</b>		Des.	Page 5 of 5
		Wang Min	Update/2020-06-20
ModelNo.:BPC2495W100-2435	Part No.	Chk.	Apr.

## 5.Packing

包装要求	<ol style="list-style-type: none"> <li>1. 塑料袋包装 200PCS/袋 25 个一扎 塑料袋 30*40cm 料号: F6-611</li> <li>2. 内箱 200PCS/盒 63.5*53.5 cm 料号: F6-051</li> <li>3. 外箱 2000PCS/箱 料号: F6-003 50*41*25 cm</li> </ol>
------	---

