



**APPROVAL SHEET
FOR
MAGNETIC BUZZER**

常州富鸿达电子有限公司

CHANG ZHOU FHD ELECTRONICS CO., LTD.

CLUE No.:

MODEL No.: BM1285-0320-16(弹簧针)

OUR PART No.:

DOCUMENT No.:

| CUSTOMER | APPROVED | CHECKED |
|----------|----------|---------|
| | | |

Add: Xujia Industrial Park, ZhenLu Town, Changzhou City, Jiangsu China.

江苏省常州市天宁区郑陆镇工业大道2号

Tel:+86-519-83822009

Fax:+86-519-88739926

Email: sales@czfhd.com

<http://www.czfhd.com>

| | | | | | |
|-------------------|----------------|--|--|-----------|-------------|
| | | Specification for Electro-Magnetic Buzzer(Pin Type) | | | Page 3 of 6 |
| | | | | Des. | Chk. |
| Model No.: | BM1285-0320-16 | Part No. | | Chen Hong | |
| | | | | 8/18/2021 | 8/18/2021 |

2. Technical Parameter

Measuring condition

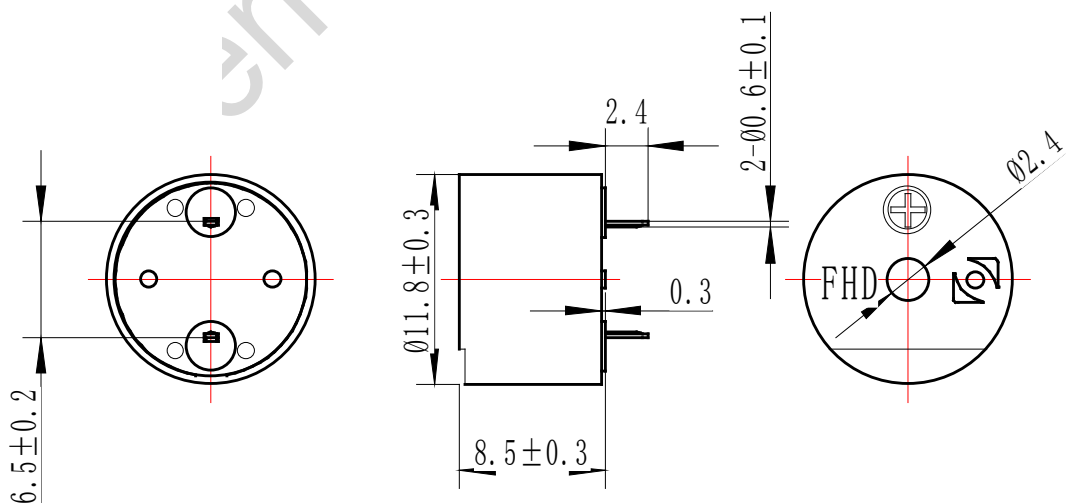
Part shall be measured under a condition (Temperature: 5 ~ 35°C, Humidity: 45% ~ 85%R.H., Atmospheric pressure: 860 ~ 1060hPa) unless the standard condition (Temperature: 25±3°C, Humidity: 60±10%R.H. Atmospheric pressure: 860 ~ 1060hPa) is regulated to measure.



| | | |
|----|-----------------------|--|
| 1 | Rated Voltage | 3Vo-p |
| 2 | Operating Voltage | 2-5Vo-p |
| 3 | Rated Current | Max.80mA ,at 2048Hz 50% duty Square Wave 3Vo-p |
| 4 | Sound Output at 10cm | Min. 85dB,at 2048Hz 50% duty Square Wave 3Vo-p |
| 5 | Coil Resistance | 16±4Ω |
| 6 | Resonant Frequency | 2048Hz |
| 7 | Operating Temperature | -20°C ~ +70°C |
| 8 | Store Temperature | -30°C ~ +80°C |
| 9 | Net Weight | Approx 1.6g |
| 10 | RoHS | Yes |

3. Dimensions

Unit: mm



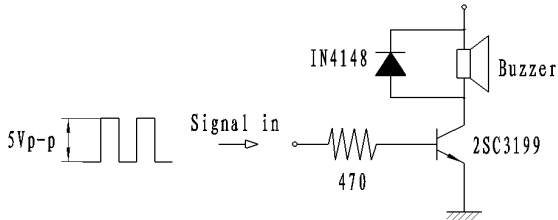
*Unit: mm; Tolerance: ± 0.5 mm Except Specified

*Housing Material: Black PBT

| Specification for Electro-Magnetic Buzzer(Pin Type) | | | Page 4 of 6 |
|---|----------------|----------|---------------------|
| | | | Des. Chk. |
| Model No.: | BM1285-0320-16 | Part No. | Chen Hong |
| | | | 8/18/2021 8/18/2021 |

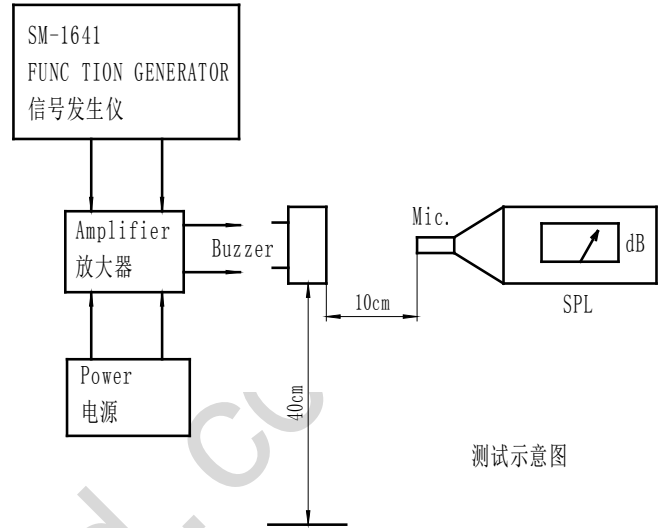
4. Electrical And Acoustical Measuring Condition

Recommended Driving Circuit

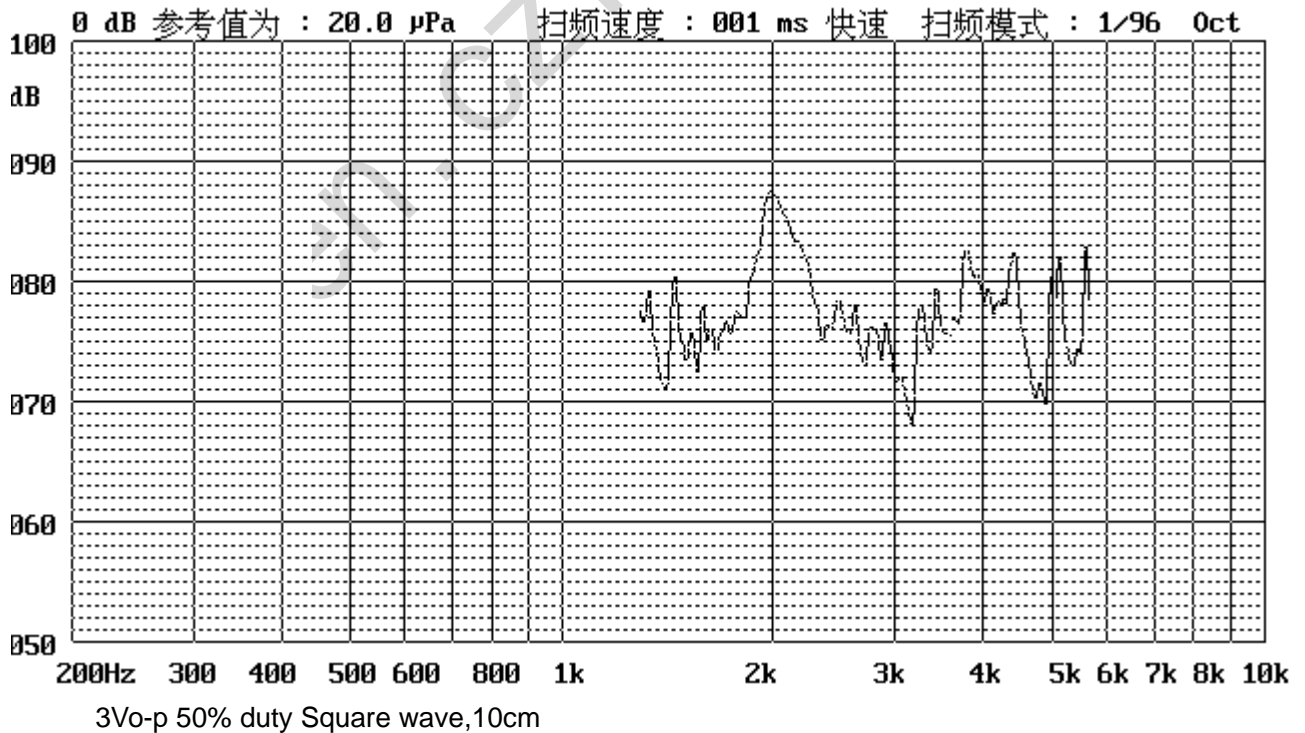


Resonant frequency, 1/2 duty cycle. Square wave.
Signal amplitude should be large enough to saturate the transistor.

Recommended Setting



5. Frequency Response



| | | | | | |
|-------------------|----------------|--|--|-----------|-------------|
| | | Specification for Electro-Magnetic Buzzer(Pin Type) | | | Page 5 of 6 |
| | | | | Des. | Chk. |
| Model No.: | BM1285-0320-16 | Part No. | | Chen Hong | |
| | | | | 8/18/2021 | 8/18/2021 |

6. Reliability Test

After any following tests the part shall meet specifications without any degradation in appearance and performance except SPL. SPL shall not deviate more than -10 dB from the initial value

6.1 Ordinary Temperature Life Test

The part shall be subjected to 96 hours at $25 \pm 10^\circ\text{C}$. Input rated voltage Resonant frequency, 1/2 duty Square wave.

6.2 High Temperature Test

The part shall be capable of with standing a storage temperature of $+80^\circ\text{C}$ for 96 hours.

6.3 Low Temperature Test

The part shall be capable of with standing a storage temperature of -30°C for 96 hours.

6.4 Humidity Test

Temperature: $+40^\circ\text{C} \pm 3^\circ\text{C}$ Relative Humidity: 90%~95% Duration: 48 hours and expose to room temperature for 6 hours

6.5 Temperature Shock Test

Temperature: 70°C /1hour \rightarrow 25°C /3hours \rightarrow -30°C /1hour \rightarrow 25°C /3hours (1cycle)
Total cycle: 10 cycles

6.6 Drop Test

Standard Packaging From 75cm (Drop on hard wood or board of 5cm thick, three sides, six plain.)

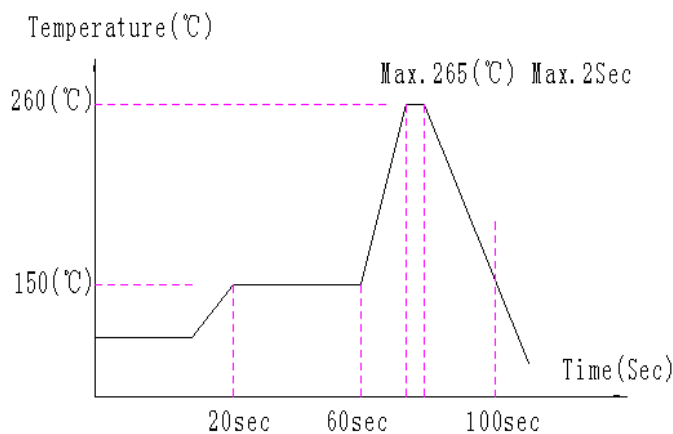
6.7 Vibration Test

Vibration: 1000cycles /min. Amplitude: 1.5mm, Duration: 1 hour in each 3 axes

Note:

As this product is not protected from foreign material entering, please make sure that any foreign materials (e.g. magnetic powder, washing solvent, flux, corrosive gas) do not enter this product in your production processes. The functional degradation (e.g. SPL down) may occur if foreign material enter it.

7. Recommended the wave soldering temperature

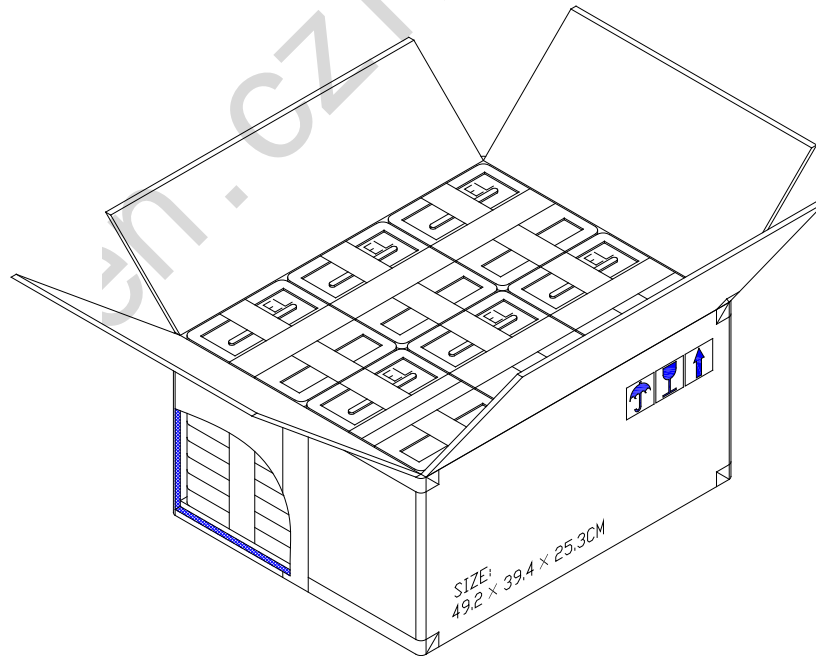
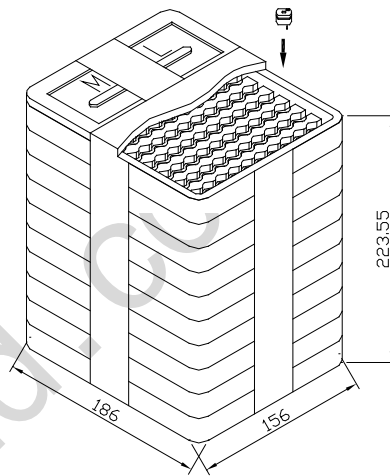
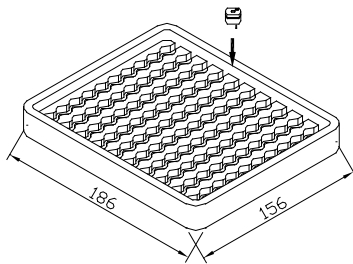


| | | | | | |
|-------------------|----------------|--|--|-----------|-------------|
| | | Specification for Electro-Magnetic Buzzer(Pin Type) | | | Page 6 of 6 |
| | | | | Des. | Chk. |
| Model No.: | BM1285-0320-16 | Part No. | | Chen Hong | |
| | | | | 8/18/2021 | 8/18/2021 |

8. Packing

| | | |
|------|--|-----|
| 包装要求 | 1.12 型泡沫盒方蜂, 1000pcs 一堆; 6 堆/箱; 6000pcs/箱 泡沫盒料号: F6-713 2.外箱料号: F6-003; 外箱尺寸 50*41*25cm | |
| 唛头要求 | 内盒: 按客户订单要求 | 外箱: |

| | 包装名称 | 包装数量(pcs) | 包装尺寸(mm) | 图解 |
|---|------|-----------|-------------|--------|
| 1 | 泡沫盒 | 100 | 186×156×28 | Fig. 1 |
| 2 | 一叠 | 1000 | 186×156×233 | Fig. 1 |
| 3 | 大箱子 | 6000 | 492×394×253 | Fig. 2 |



ELECTROMAGNETIC BUZZER
QTY: 6000PCS
VOLUME: 50x41x25CM