



**APPROVAL SHEET
FOR
MAGNETIC BUZZER**

常州富鸿达电子有限公司

CHANG ZHOU FHD ELECTRONICS CO., LTD.

CLUE No.:

MODEL No.: BM2512-1210-115

OUR PART No.:

DOCUMENT No.:

CUSTOMER	APPROVED	CHECKED

Add: Xujia Industrial Park, ZhenLu Town, Changzhou City, Jiangsu China.

江苏省常州市天宁区郑陆镇工业大道 2 号

Tel:+86-519-83822009

Fax:+86-519-88739926

Email: sales@czfhd.com

<http://www.czfhd.com>

Specification for Electro-Magnetic Buzzer(Pin Type)			Page 3 of 6
			Des. Chk.
Model No.:	BM2512-1210-115	Part No.	Chen Hong
			8/18/2021

2. Technical Parameter

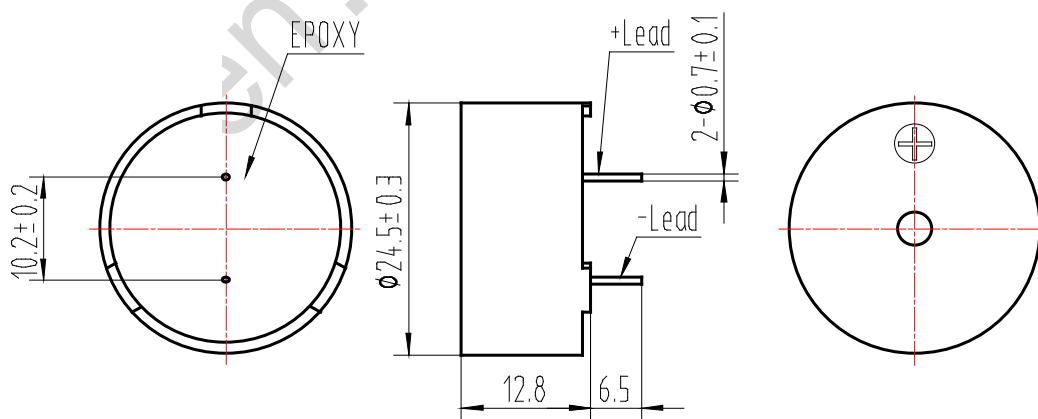
Measuring condition

Part shall be measured under a condition (Temperature: 5 ~ 35°C, Humidity: 45% ~ 85%R.H., Atmospheric pressure: 860 ~ 1060hPa) unless the standard condition (Temperature: 25±3°C, Humidity: 60±10%R.H. Atmospheric pressure: 860 ~ 1060hPa) is regulated to measure.

1	Rated Voltage	12Vo-p
2	Operating Voltage	10-14Vo-p
3	Rated Current	Max.60mA ,at 1000Hz 50% duty Square Wave 12Vo-p
4	Sound Output at 10cm	Min. 90dB,at 1000Hz 50% duty Square Wave 12Vo-p
5	Coil Resistance	115±15Ω
6	Resonant Frequency	1000Hz
7	Operating Temperature	-20°C ~ +70°C
8	Store Temperature	-30°C ~ +80°C
9	Net Weight	Approx 10g
10	RoHS	Yes

3. Dimensions

Unit: mm



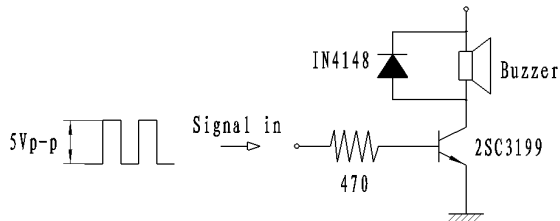
*Unit: mm; Tolerance: ± 0.5mm Except Specified

*Housing Material: Black PBT

Specification for Electro-Magnetic Buzzer(Pin Type)			Page 4 of 6	
			Des.	Chk.
Model No.:	BM2512-1210-115	Part No.	Chen Hong	
			8/18/2021	
			8/18/2021	

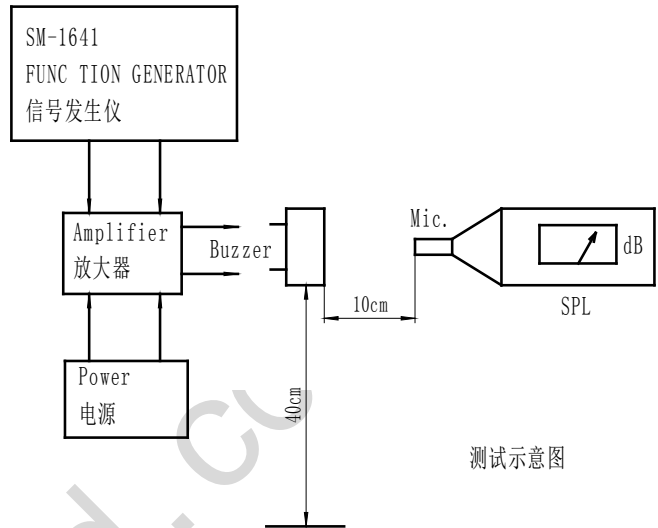
4. Electrical And Acoustical Measuring Condition

Recommended Driving Circuit

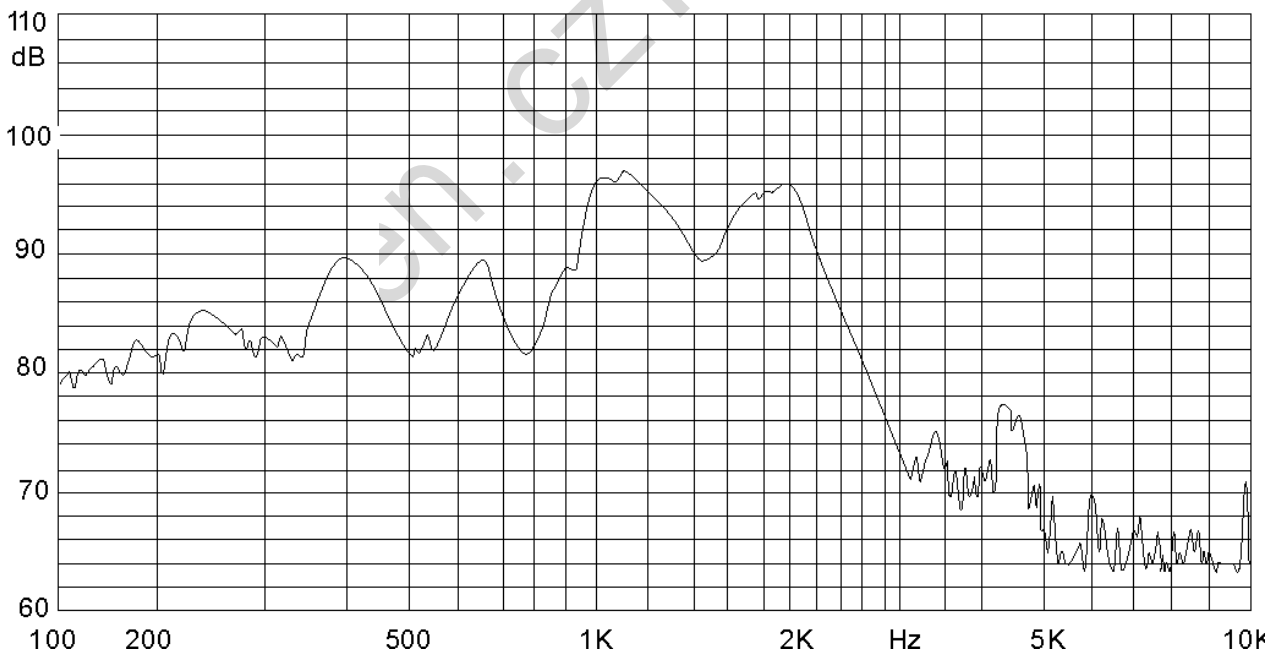


Resonant frequency, 1/2 duty cycle. Square wave.
Signal amplitude should be large enough to saturate the transistor.

Recommended Setting



5. Frequency Response



12Vo-p 50% duty Square wave, 10cm

Specification for Electro-Magnetic Buzzer(Pin Type)			Page 5 of 6
			Des. Chk.
Model No.:	BM2512-1210-115	Part No.	Chen Hong
			8/18/2021 8/18/2021

6. Reliability Test

After any following tests the part shall meet specifications without any degradation in appearance and performance except SPL. SPL shall not deviate more than -10 dB from the initial value

6.1 Ordinary Temperature Life Test

The part shall be subjected to 96 hours at $25 \pm 10^\circ\text{C}$. Input rated voltage Resonant frequency, 1/2 duty Square wave.

6.2 High Temperature Test

The part shall be capable of with standing a storage temperature of $+80^\circ\text{C}$ for 96 hours.

6.3 Low Temperature Test

The part shall be capable of with standing a storage temperature of -30°C for 96 hours.

6.4 Humidity Test

Temperature: $+40^\circ\text{C} \pm 3^\circ\text{C}$ Relative Humidity: 90%~95% Duration: 48 hours and expose to room temperature for 6 hours

6.5 Temperature Shock Test

Temperature: 70°C /1hour \rightarrow 25°C /3hours \rightarrow -30°C /1hour \rightarrow 25°C /3hours (1cycle)
Total cycle: 10 cycles

6.6 Drop Test

Standard Packaging From 75cm(Drop on hard wood or board of 5cm thick, three sides, six plain.)

6.7 Vibration Test

Vibration: 1000cycles /min. Amplitude: 1.5mm, Duration: 1 hour in each 3 axes

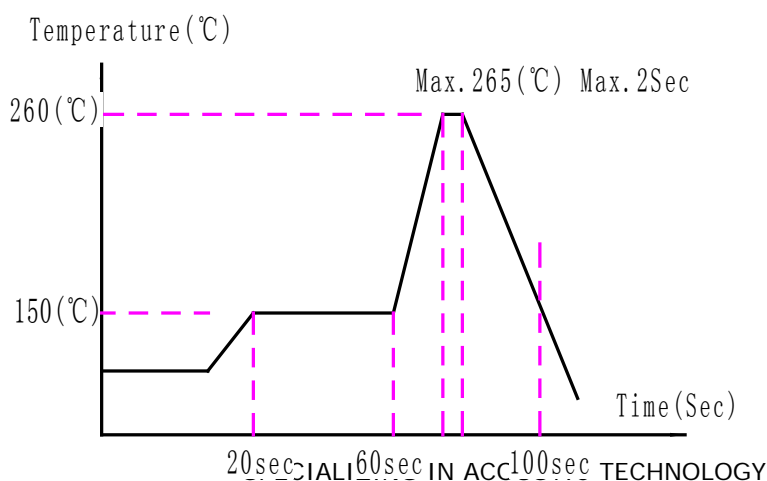
6.8 High temperature life test

The parts work continuously for 96 hours at $+70^\circ\text{C}$. Input rated voltage Resonance frequency, 1/2 duty square wave.

Note:

As this product is not protected from foreign material entering, please make sure that any foreign materials (e.g. magnetic powder, washing solvent, flux, corrosive gas) do not enter this product in your production processes. The functional degradation (e.g. SPL down) may occur if foreign material enter it.

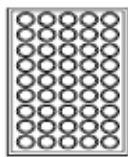
7. Recommended the wave soldering temperature



Specification for Electro-Magnetic Buzzer(Pin Type)			Page 6 of 6
			Des. Chk.
Model No.:	BM2512-1210-115	Part No.	Chen Hong
			8/18/2021

8.Packing

包装要求	1. 泡沫盒 50PCS/盒 料号: F6-725 2. 外箱料号: F6-019 ; 外箱尺寸: 64*35*27	
唛头要求	内盒:	外箱:

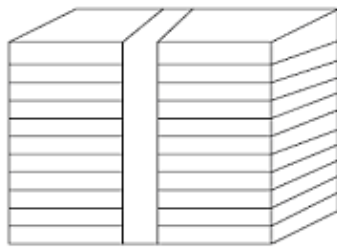


50PCS/泡沫盒

长: 320mm

宽: 170mm

高: 27mm



500PCS/托

长: 320mm

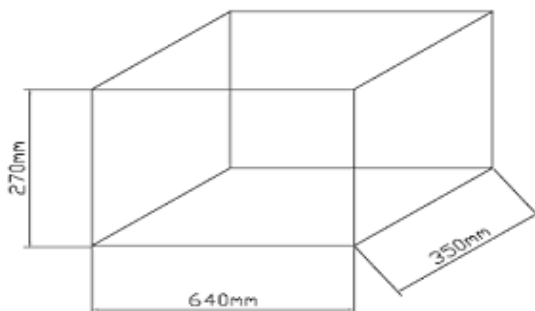
宽: 170mm

高: 240mm



2000PCS/箱

(四盒)



Approx. 8kg/箱