



**APPROVAL SHEET**  
**FOR**  
**PIEZO BUZZER**

**常州富鸿达电子有限公司**

**CHANG ZHOU FHD ELECTRONICS CO., LTD.**

CUSTOMER No.:

OUR PART No.: 011-1470B-SP(7.6 针距)

MODEL No.: BP1470-40

DOCUMENT No.:

CUSTOMER	APPROVED	CHECKED

Add: Zhenxi Road, ZhenLu Town, Changzhou City, Jiangsu China.

江苏省常州市天宁区郑陆镇工业大道 2 号

Tel:+86-519-83822009

Fax:+86-519-88739926

Email: sales@czfhd.com; <http://www.czfhd.com>

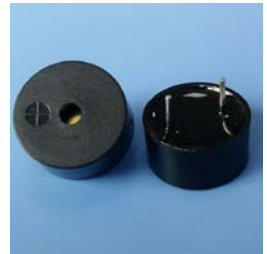


<b>Specification for Piezoelectric Ceramic Buzzer Pin Type</b>		Des.	Page 3 of 6
		Wang Min	Update/2018-05-22
Model No.: <b>BP1470-40</b>	P/N: 011-1470B-SP	Chk.	Apr.

## 2. Technical Parameter

### Measuring condition

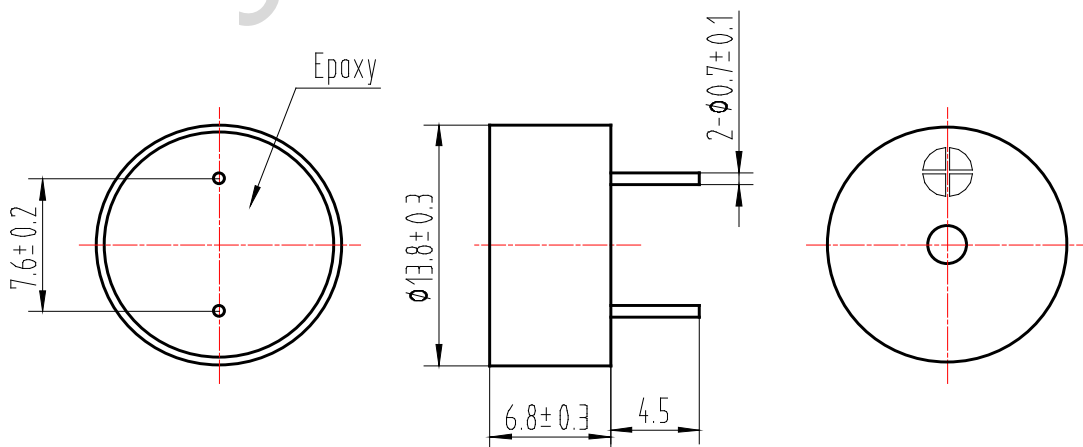
Part shall be measured under a condition (Temperature: 5~35°C, Humidity: 45% ~ 85%R.H., Atmospheric pressure: 860 ~ 1060hPa) unless the standard condition (Temperature: 25±3°C, Humidity: 60±10%R.H. Atmospheric pressure: 860 ~ 1060hPa) is regulated to measure.



1	Resonant Frequency	4000 ± 500Hz
2	Operating Voltage	1~25 Vp-p
3	Rated Current	Max.5mA , At 4KHz 50% duty Square Wave 5Vp-p
4	Sound Output at 10cm	Min. 85dB, At 4KHz 50% duty Square Wave 5Vp-p
5	Capacitance	10000 ± 30% pF At 1KHz
6	Operating Temperature	-20°C ~ +70°C
7	Store Temperature	-30°C ~ +80°C
8	Net Weight	Approx 0.5g
9	RoHS	Yes

## 3. Dimensions

Unit: mm



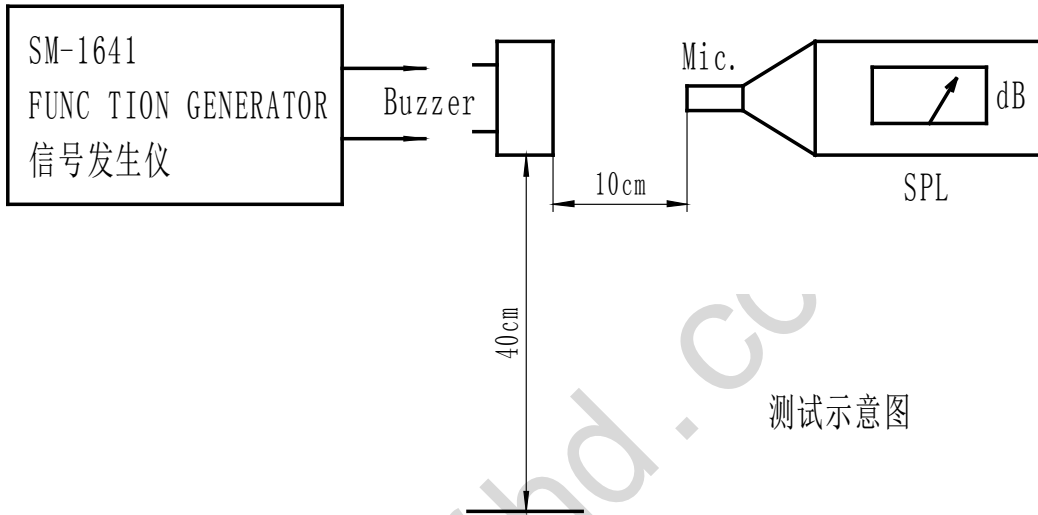
\*Unit: mm; Tolerance: ± 0.5mm Except Specified

\*Housing Material: Black PBT

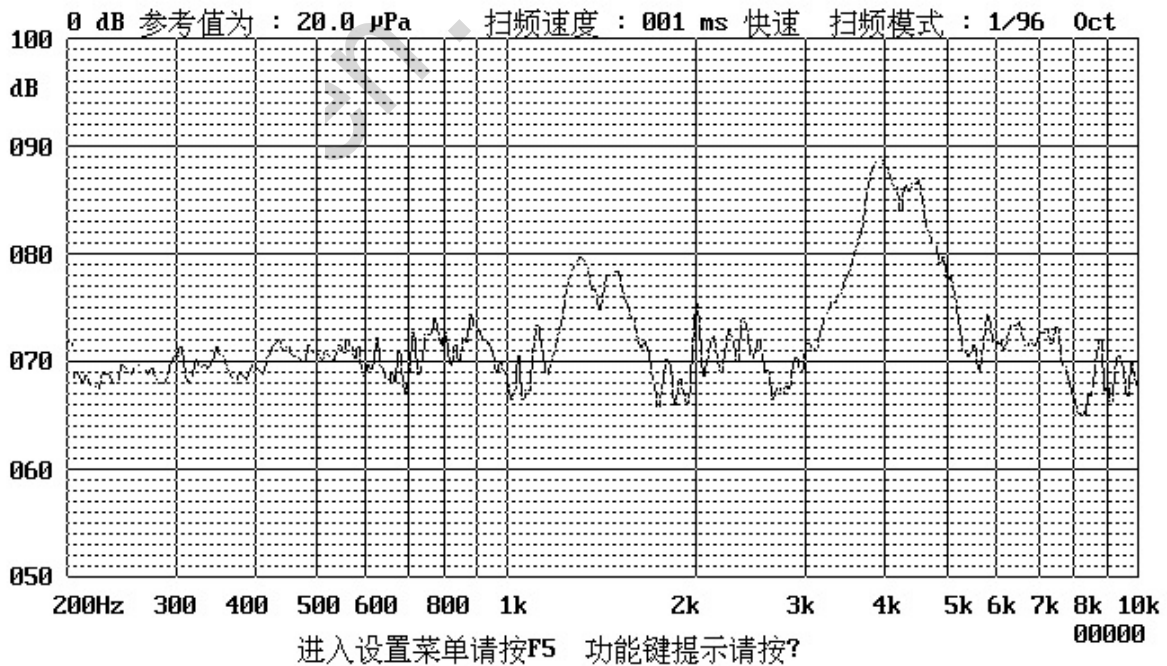
<b>Specification for Piezoelectric Ceramic Buzzer Pin Type</b>		Des.	Page 4 of 6
		Wang Min	Update/2018-05-22
Model No.: BP1470-40	P/N: 011-1470B-SP	Chk.	Apr.

#### 4. Electrical And Acoustical Measuring Condition

##### Recommended Setting



#### 5. Frequency Response



5Vp-p 50% duty Square wave, 10cm

<b>Specification for Piezoelectric Ceramic Buzzer Pin Type</b>		Des.	Page 5 of 6
		Wang Min	Update/2018-05-22
<b>Model No.: BP1470-40</b>	P/N: 011-1470B-SP	Chk.	Apr.

## 6. Reliability Test

After any following tests the part shall meet specifications without any degradation in appearance and performance except SPL. SPL shall not deviate more than -5 dB from the initial value

### a) Ordinary Temperature Life Test

The part shall be subjected to 96 hours at  $25 \pm 10^\circ\text{C}$ . Input rated voltage  
Resonant frequency, 1/2 duty Square wave.

### b) High Temperature Test

The part shall be capable of with standing a storage temperature of  $+80^\circ\text{C}$  for 96 hours.

### c) Low Temperature Test

The part shall be capable of with standing a storage temperature of  $-30^\circ\text{C}$  for 96 hours.

### d) Humidity Test

Temperature:  $+40^\circ\text{C} \pm 3^\circ\text{C}$  Relative Humidity: 90%~95% Duration: 48 hours  
and expose to room temperature for 6 hours

### e) Temperature Shock Test

Temperature:  $60^\circ\text{C}$  /1hour  $\rightarrow$   $25^\circ\text{C}$ /3hours  $\rightarrow$   $-20^\circ\text{C}$ /1hour  $\rightarrow$   $25^\circ\text{C}$ /3hours (1cycle)  
Total cycle: 10 cycles

### f) Drop Test

Standard Packaging From 75cm(Drop on hard wood or board of 5cm thick,  
three sides, six plain.)

### g) Vibration Test

Vibration: 1000cycles /min. Amplitude: 1.5mm, Duration: 1 hour in each 3 axes

## Note:

As this product is not protected from foreign material entering, please make sure that any foreign materials (e.g. magnetic powder, washing solvent, flux, corrosive gas) do not enter this product in your production processes. The functional degradation (e.g. SPL down) may occur if foreign material enter it.

<b>Specification for Piezoelectric Ceramic Buzzer Pin Type</b>		Des.	Page 6 of 6
		Wang Min	Update/2018-05-22
Model No.: <b>BP1470-40</b>	P/N: 011-1470B-SP	Chk.	Apr.

7. Packing		
包装要求	1. 14 型泡沫盒, 1000pcs 一堆; 5 堆/箱; 5000pcs/箱 泡沫盒料号: F6-714 2. 外箱料号: F6-003; 外箱尺寸 50*41*25cm	
唛头要求	内盒:	外箱:
特别说明		

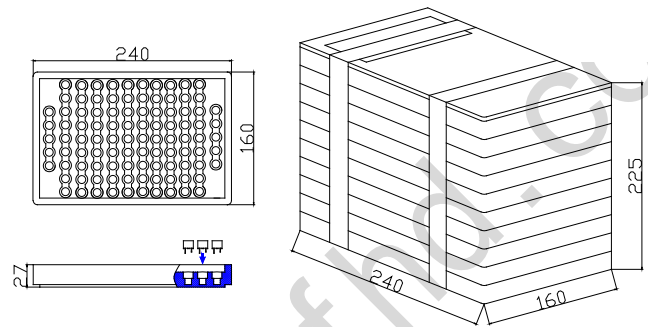


Fig.1

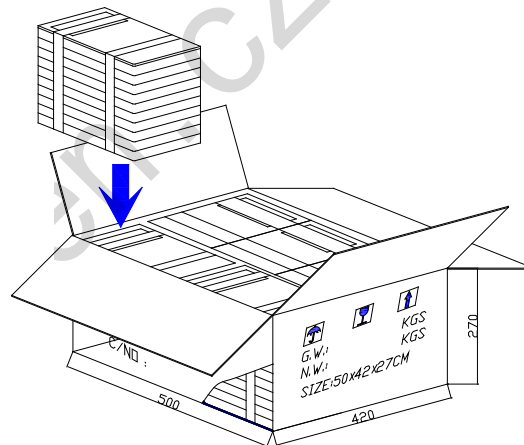


Fig.2

	包装名称	包装数量 (pcs)	包装尺寸 (mm)	图解
1	泡沫盒	100	240×160×24	Fig. 1
2	一叠	1000	240×160×225	Fig. 1
3	箱子	5000	500×420×270	Fig. 2