



**APPROVAL SHEET  
FOR  
MAGNETIC BUZZER**

**常州富鸿达电子有限公司**

**CHANG ZHOU FHD ELECTRONICS CO., LTD.**

CLUE No.:

MODEL No.: BMC9055-0527

OUR PART No.: 121-9055A-SP

DOCUMENT No.: FESG-00059-A0

CUSTOMER	APPROVED	CHECKED

Add: Xujia Industrial Park, ZhenLu Town, Changzhou City, Jiangsu China.

江苏省常州市天宁区郑陆镇工业大道2号

Tel:+86-519-83822009

Fax:+86-519-88739926

Email: sales@czfhd.com

<http://www.czfhd.com>



<b>Specification for Electro-Magnetic Buzzer With built-in oscillating circuit (Pin Type)</b>			Page 3 of 6		
			Des.	Chk.	
Model No.:	BMC9055-0527	Part No.	121-9055A-SP	Chen Hong	
				8/18/2021	8/18/2021

## 2. Technical Parameter Measuring condition

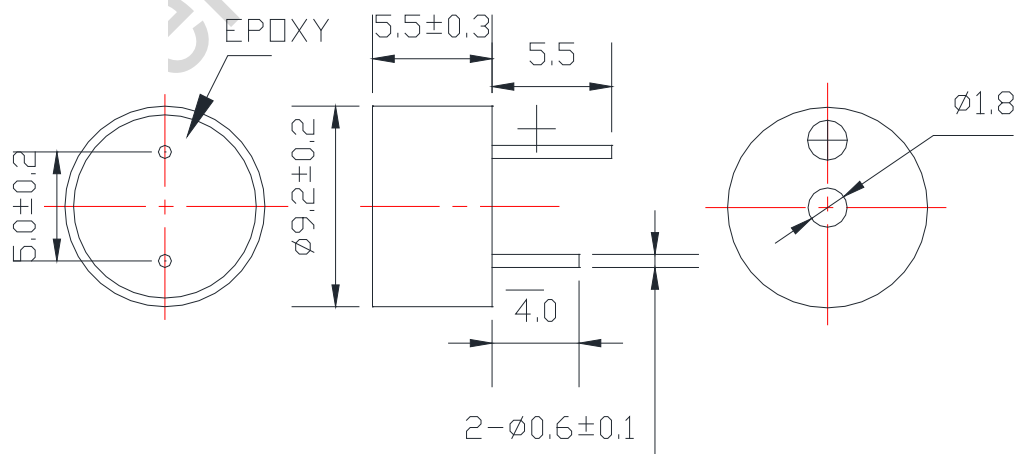
Part shall be measured under a condition (Temperature: 5~35°C, Humidity: 45%~85%R.H., Atmospheric pressure: 860 ~1060hPa) unless the standard condition (Temperature: 25±3°C, Humidity: 60±10%R.H. Atmospheric pressure: 860 ~1060hPa) is regulated to measure.



1	Rated Voltage	5 VDC
2	Operating Voltage	3-6VDC
3	Rated Current	Max.30mA, at 5VDC
4	Sound Output at 10cm	Min.85dB, at 5VDC
5	Resonant Frequency	2700 ± 300 Hz
6	Tone	Continuous
7	Operating Temperature	-20 - +70°C
8	Storage Temperature	-30 - +80°C
9	RoHS	Yes
10	Weight	Approx 0.7g

## 3. Dimensions

Unit: mm



\*Housing Material: Black PBT

Tolerance: ± 0.5mm Except Specified

Specification for Electro-Magnetic Buzzer With built-in oscillating circuit (Pin Type)			Page 4 of 6	
			Des.	Chk.
Model No.:	BMC9055-0527	Part No.	Chen Hong	
			8/18/2021	
121-9055A-SP			8/18/2021	

#### 4. Reliability Test

After any following tests the part shall meet specifications without any degradation in appearance and performance except SPL. SPL shall not deviate more than -10 dB from the initial value

##### 4.1 Ordinary Temperature Life Test

The part shall be subjected to 96 hours at  $25 \pm 10^\circ\text{C}$ . Input rated voltage Resonant frequency, 1/2 duty Square wave.

##### 4.2 High Temperature Test

The part shall be capable of with standing a storage temperature of  $+80^\circ\text{C}$  for 96 hours.

##### 4.3 Low Temperature Test

The part shall be capable of with standing a storage temperature of  $-30^\circ\text{C}$  for 96 hours.

##### 4.4 Humidity Test

Temperature:  $+40^\circ\text{C} \pm 3^\circ\text{C}$  Relative Humidity: 90%~95% Duration: 48 hours and expose to room temperature for 6 hours

##### 4.5 Temperature Shock Test

Temperature:  $70^\circ\text{C}$  /1hour  $\rightarrow$   $25^\circ\text{C}$ /3hours  $\rightarrow$   $-30^\circ\text{C}$ /1hour  $\rightarrow$   $25^\circ\text{C}$ /3hours (1cycle)  
Total cycle: 10 cycles

##### 4.6 Drop Test

Standard Packaging From 75cm (Drop on hard wood or board of 5cm thick, three sides, six plain.)

##### 4.7 Vibration Test

Vibration: 1000cycles /min. Amplitude: 1.5mm, Duration: 1 hour in each 3 axes

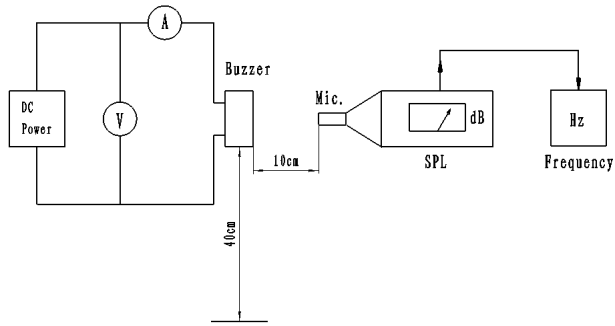
#### Note:

As this product is not protected from foreign material entering, please make sure that any foreign materials (e.g. magnetic powder, washing solvent, flux, corrosive gas) do not enter this product in your production processes. The functional degradation (e.g. SPL down) may occur if foreign material enter it.

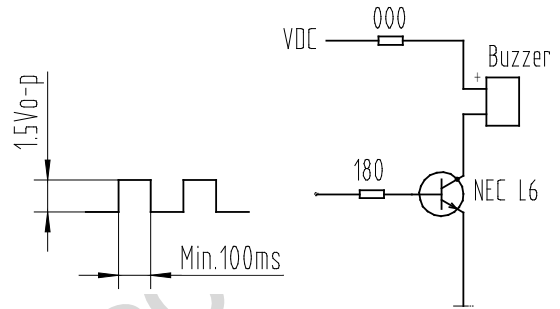
Specification for Electro-Magnetic Buzzer With built-in oscillating circuit (Pin Type)			Page 5 of 6
			Des. Chk.
Model No.:	BMC9055-0527	Part No.	Chen Hong
		121-9055A-SP	8/18/2021
			8/18/2021

### 5. Electrical And Acoustical Measuring Condition

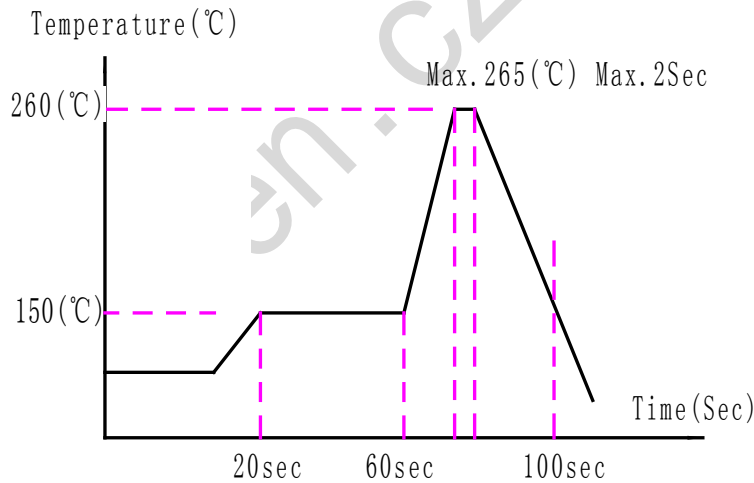
#### a) Recommended Setting



#### b) Recommended Test Circuit



### 6. Recommended the wave soldering temperature



<b>Specification for Electro-Magnetic Buzzer With built-in oscillating circuit (Pin Type)</b>			Page 6 of 6
			Des. Chk.
<b>Model No.:</b>	<b>BMC9055-0527</b>	<b>Part No.</b>	121-9055A-SP
			Chen Hong 8/18/2021

## 7. Packing

包装要求	1.吸塑包装, 100PCS/盒 吸塑盒料号: F6-409 2.内盒: 2000PCS/盒 料号: F6-088-1 3.外箱 8000PCS/箱 料号: F6-088	
唛头要求	内盒: 按客户订单要求	外箱: 按客户订单要求

### 1. PVC 盒包装, 100PCS/盒



### 2. 20 盒/摞 2000PCS/摞 下面垫一个纸板, 上面放一个空 PVC 盒后放一个纸板, 胶带如图打井字形, 套塑料袋, 放干燥剂后封袋



### 3. 封好袋子的产品放入内盒, 四盒/箱 外箱 8000PCS/箱 四盒/箱



	包装名称	包装数量(pcs)	包装尺寸(mm)
1	PVC盒	100	180×180×20
2	一盒	2000	200×200×240
3	箱子	8000	420×420×250