



APPROVAL SHEET
FOR
PIEZO BUZZER

常州富鸿达电子有限公司

CHANG ZHOU FHD ELECTRONICS CO., LTD.

CLUE No.:

OUR PART No.: BP4020-30

OUR MODEL No.:

DOCUMENT No.:

CUSTOMER	APPROVED	CHECKED

Add: Xujia Industrial Park, ZhenLu Town, Changzhou City, Jiangsu China.

江苏省常州市天宁区郑陆镇工业大道 2 号

Tel:+86-519-8382 2009

Fax:+86-519-8873 9926

Email: sales@czfhd.com; <http://www.czfhd.com>

F017-1511401	Specification for Piezoelectric Ceramic Buzzer(Pin Type)	Des.	Page 2 of 6
		Wang Min	Update/2018-03-15
Model No.: BP4020-30	Part No.	Chk.	Apr.

1. Document revision history

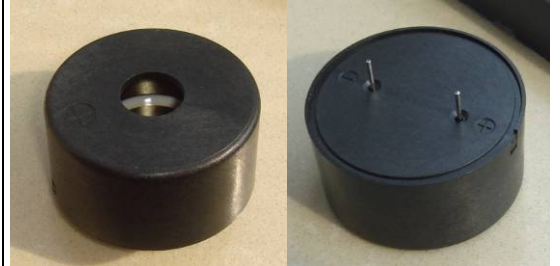
修改时间	版本	修改页次	修改内容	确认人

F017-15I1401	Specification for Piezoelectric Ceramic Buzzer(Pin Type)	Des.	Page 3 of 6
		Wang Min	Update/2018-03-15
Model No.: BP4020-30	Part No.	Chk.	Apr.

2. Technical Parameter

Measuring condition

Part shall be measured under a condition (Temperature: 5~35℃, Humidity: 45%~85%R.H., Atmospheric pressure: 860 ~1060hPa) unless the standard condition (Temperature: 25±3℃, Humidity: 60±10%R.H. Atmospheric pressure: 860 ~1060hPa) is regulated to measure.

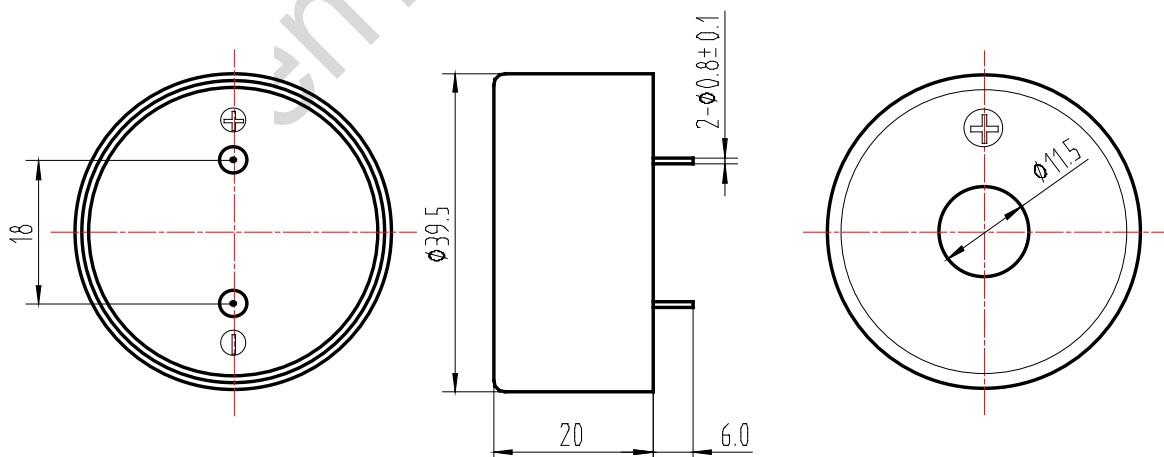


1	Resonant Frequency	3000±500Hz
2	Operating Voltage	1~25 Vp-p
3	Rated Current	Max.5mA , At 3KHz 50% duty Square Wave 3Vp-p
4	Sound Output at 10cm	Min. 89dB, At 3KHz 50% duty Square Wave 3Vp-p
5	Capacitance	30000±30% pF At 1KHz
6	Operating Temperature	-20 - +70℃
7	Storage Temperature	-30 - +80℃
8	RoHS	Yes
9	Weight	Approx 15g

3. Dimensions

Unit: mm

Tolerance: ±0.5mm Except Specified

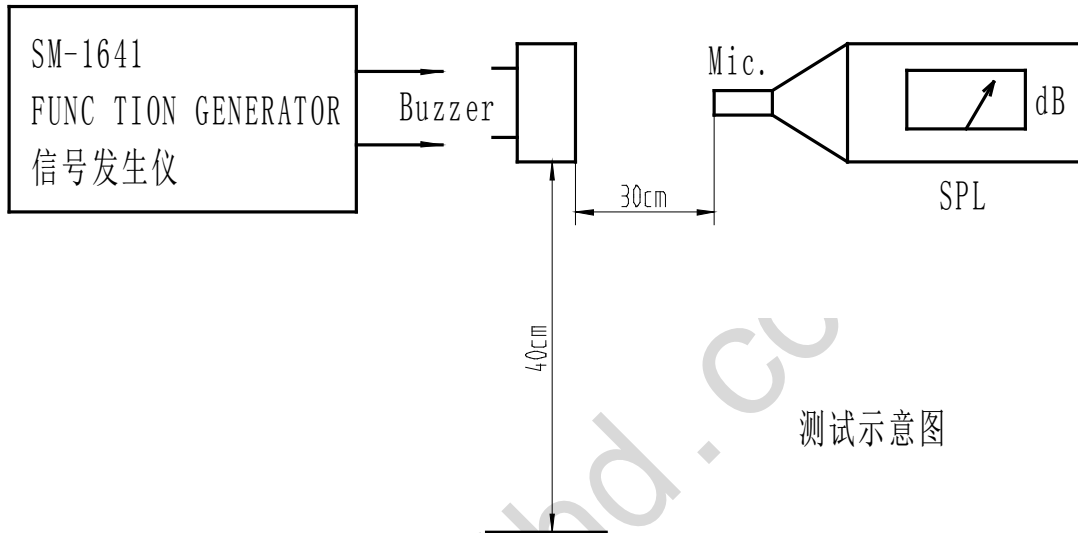


*Housing Material: Black PPO

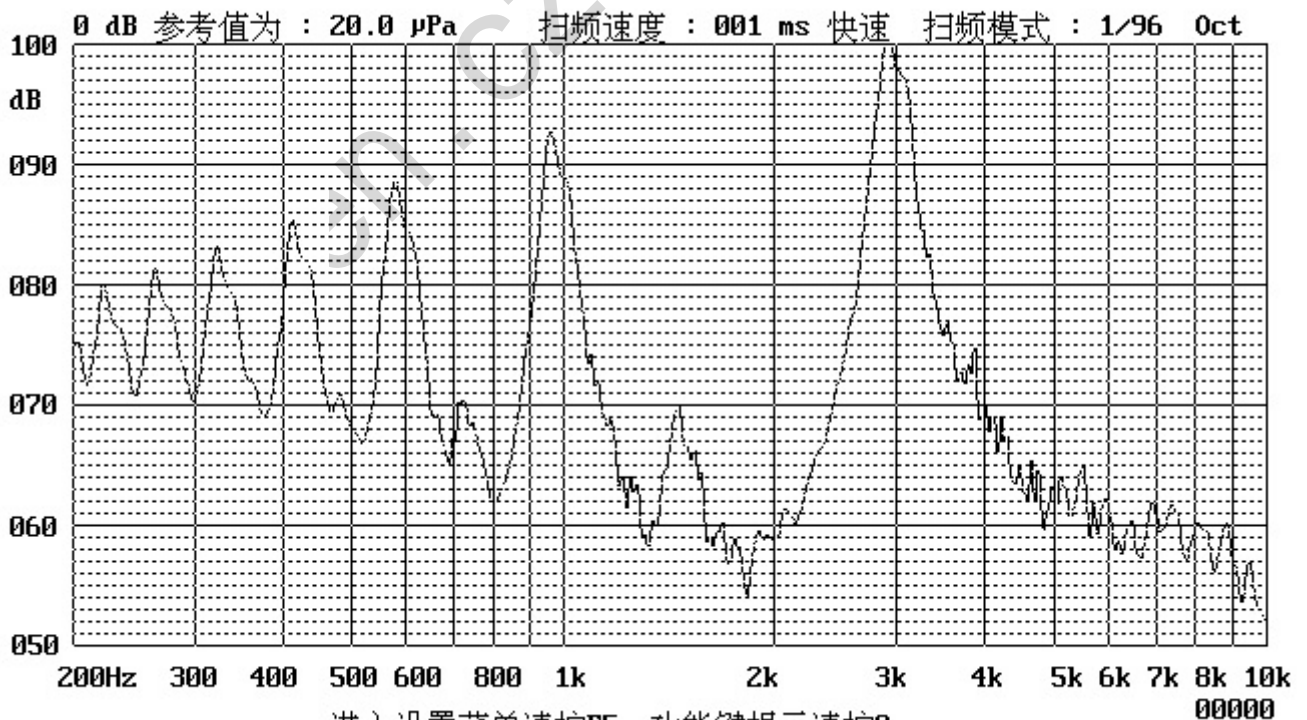
F017-1511401	Specification for Piezoelectric Ceramic Buzzer(Pin Type)	Des.	Page 4 of 6
		Wang Min	Update/2018-03-15
Model No.: BP4020-30	Part No.	Chk.	Apr.

4. Electrical And Acoustical Measuring Condition

Recommended Setting



5. Frequency Response



3Vp-p 50% duty Square wave,30cm

F017-15I1401	Specification for Piezoelectric Ceramic Buzzer(Pin Type)	Des.	Page 5 of 6
		Wang Min	Update/2018-03-15
Model No.: BP4020-30	Part No.	Chk.	Apr.

6. Reliability Test

After any following tests the part shall meet specifications without any degradation in appearance and performance except SPL. SPL shall not deviate more than -5 dB from the initial value

6.1 Ordinary Temperature Life Test

The part shall be subjected to 96 hours at $25 \pm 10^\circ\text{C}$. Input rated voltage Resonant frequency, 1/2 duty Square wave.

6.2 High Temperature Test

The part shall be capable of with standing a storage temperature of $+80^\circ\text{C}$ for 96 hours.

6.3 Low Temperature Test

The part shall be capable of with standing a storage temperature of -30°C for 96 hours.

6.4 Humidity Test

Temperature: $+40^\circ\text{C} \pm 3^\circ\text{C}$ Relative Humidity: 90%~95% Duration: 48 hours and expose to room temperature for 6 hours

6.5 Temperature Shock Test

Temperature: 70°C /1hour \rightarrow 25°C /3hours \rightarrow -20°C /1hour \rightarrow 25°C /3hours (1cycle)
Total cycle: 10 cycles

6.6 Drop Test

Standard Packaging From 75cm(Drop on hard wood or board of 5cm thick, three sides, six plain.)

6.7 Vibration Test

Vibration: 1000cycles /min. Amplitude: 1.5mm, Duration: 1 hour in each 3 axes

Note:

As this product is not protected from foreign material entering, please make sure that any foreign materials (e.g. magnetic powder, washing solvent, flux, corrosive gas) do not enter this product in your production processes. The functional degradation (e.g. SPL down) may occur if foreign material enter it.

F017-15I1401	Specification for Piezoelectric Ceramic Buzzer(Pin Type)	Des.	Page 6 of 6
		Wang Min	Update/2018-03-15
Model No.: BP4020-30	Part No.	Chk.	Apr.

7. Packing

包装要求	1.泡沫板 16PCS/板; 料号: F6-700 2.内盒 63.5*53.5 128PCS/盒 料号: F6-057/058 3.外箱 512PCS/箱 外箱 40.5*40*19.5 料号: F6-022		
唛头要求			

7.1 珍珠泡棉包装, 16pcs/板, 6板一盒, 最上面加盖一张白纸板, 96PCS/盒, 按紧打上胶带



7.2 每箱放四盒 外箱尺寸: 40*40.5*19.5 384PCS/箱 中间部分放一张黄垫板



7.3 打包, 封“工”字形胶带, 中间封三道, 两头各封一道胶带 打“井”字形封箱带

