

# ALL IN ONE

## SSL023

IP  
66

1K  
09



**Innovation  
technology that  
means 100%  
energy savings in  
any installation**

### Description

Range of intelligent and autonomous solar LED luminaires. The luminaire integrates photovoltaic panel, high capacity Li-ion battery, charge controller and LED optical group, LED optics. In addition, an infrared presence sensor is included to increase the autonomy autonomy by reducing the illumination level following a dimming curve, when no presence is detected. Automatic switch-on when no light is detected.

Easy mounting on any standard column, with a variable panel inclination in road models for a greater variable inclination of the panel in road models for a better use of sunlight.

### Advantages

- 100% autonomous solar LED luminaire.
- High efficiency of the LED array.
- Integration of all components in a single product.
- Maximum respect for the respect for the environment.
- Economical, efficient and intelligent.
- Very easy installation with adaptation.



## Optical characteristics

LED chip	Lumileds/Epistar
System efficiency	160LM/W
CRI	>70
L70 B10 at 25°C	100.000h
Operating temperature	-20°C a +60°C
Type of optics	Type II Type III
Optical material	PC

## Mechanical characteristics

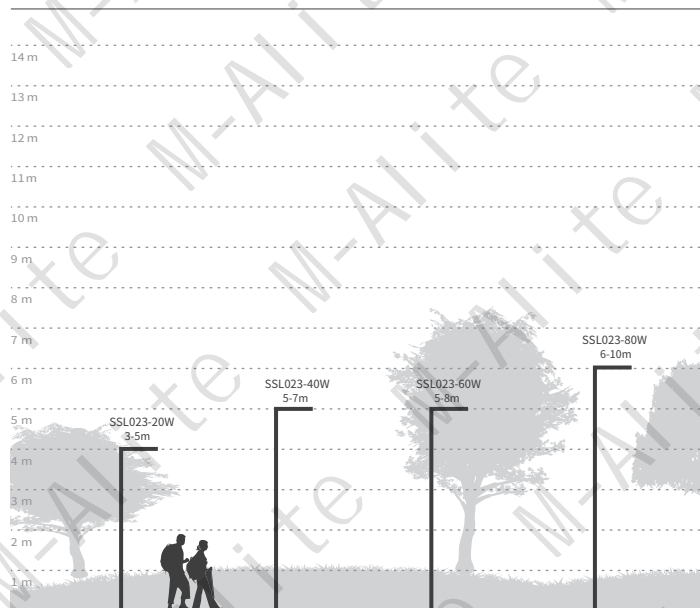
Housing	Aluminum
Fixing	Ø60mm
Angle of inclination	Adjustable (-15° to 105°)
LED Module	Interchangeable
Finishing color	7047/9004
IP	IP65/66
IK	IK08/09

## Electrical characteristics

Battery type	Li-ion
Charging time	6-8 hours ( Strong sunshine)
Discharge time	10-30 hours (With detection)
Panel life	25 years
Charge/discharge protection	Yes
Method of detection	Infrared/Radar
ON/OFF switch	Integrated in luminaire

\*The nominal charging time is calculated for a favorable solar irradiance of 1000W/m2. This value varies depending on weather conditions.

## Mounting heights



Orientation for maximum use of solar radiation.

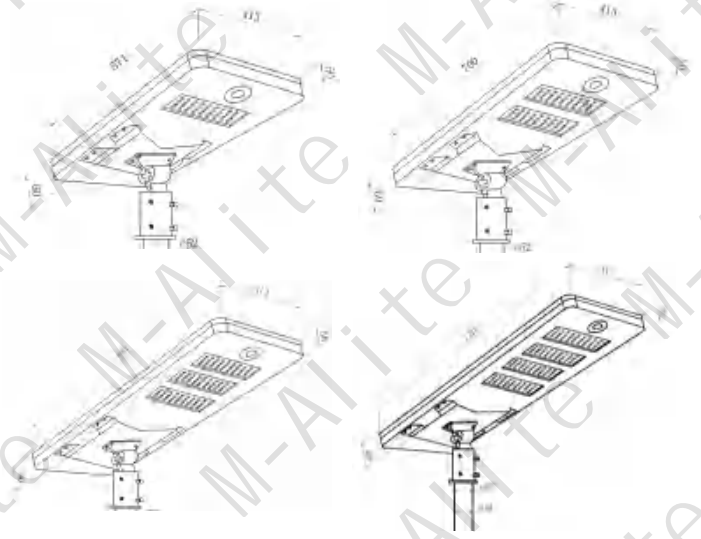


Integrated LED group

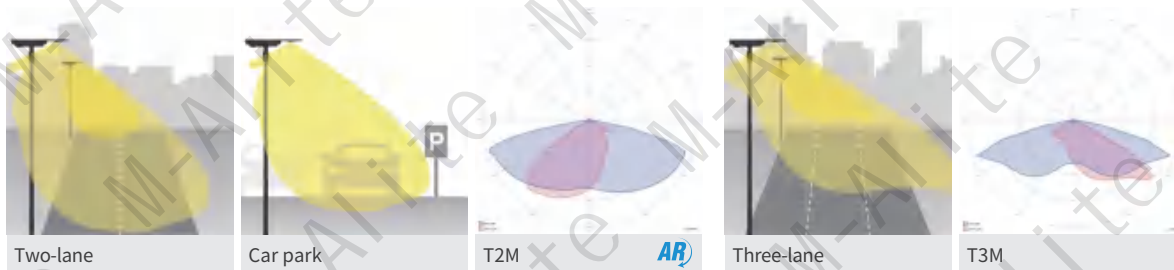
Item No.	Solar Panel	Battery	LED	Mounting height	Space Between Light
SSL023-20W	8V 35W	3.2V 46AH	SMD 3030 64PCS	3-5M	10-20M
SSL023-40W	10V 45W	3.2V 60AH	SMD 3030 128PCS	5-7M	10-25M
SSL023-60W	14V 60W	6.4V 40AH	SMD 3030 192PCS	5-8M	10-25M
SSL023-80W	18V 85W	6.4V 64AH	SMD 3030 256PCS	6-10M	20-30M

### Dimensiones

Panel	Length (mm)	Width (mm)	Height (mm)	Package weight (kg)
SSL023-20W	571	413	160	13
SSL023-40W	700	413	160	14.5
SSL023-60W	957	413	160	18
SSL023-80W	1215	413	160	25



### Examples of photometric curves



The application for the photometric curves is indicative. The optics of this product can be used in multiple applications.

### Light study example





