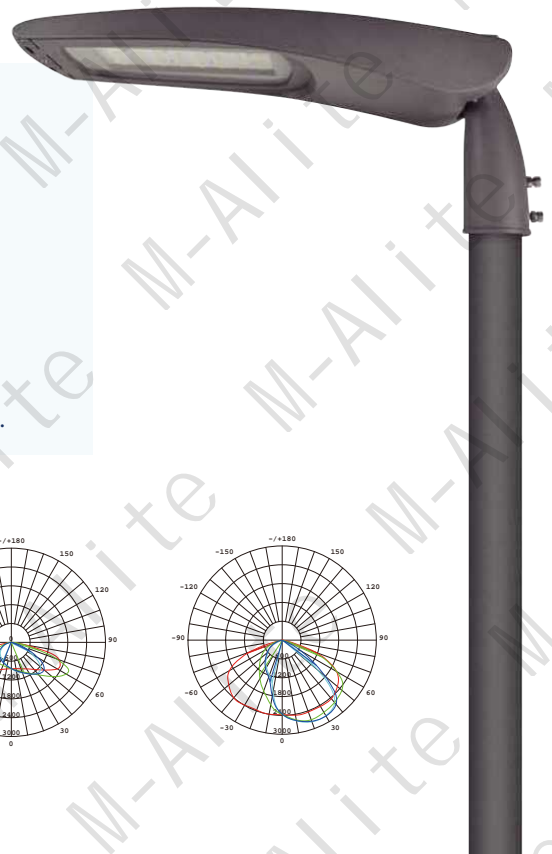


ASL02

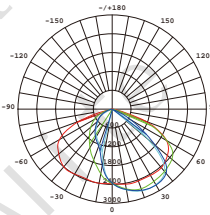
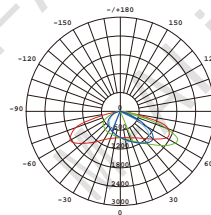
- Luminaire has 3 sizes, available from 40W-200W
- Excellent heat radiation, optical and electrical ability
- Die-cast aluminum body with powder-coating and anti-corrosion treatment
- Diffuser with 4.00mm/5.00mm super white toughened glass
- Humanized design concept, easy to install and maintain
- Structure waterproof can reach IP66, 5 years or 8 years warranty
- Lumileds led high luminous efficiency (more than 130lm/w) and long life span
- Inventronics, Meanwell, Philips, Moso and self-made led drivers optional
- Pole connector 0-90degree adjustable, lamp head -15+15degree adjustable.



Front Of Product



Back Of Product



■ Main Characteristic Luminaire



Model	Power	Input Voltage	Lumen Efficiency	CCT	LED Chip	LED Driver	Product Size	Carton Size	N.W.	G.W.
ASL02-40W	40W	AC85-265V	> 130Lm/W	2700-6500K	3030 64PCS	Inventronics	641*241*114MM	690*290*165MM	3.9KG	4.6KG
ASL02-50W	50W	AC85-265V	> 130Lm/W	2700-6500K	3030 64PCS	Inventronics	641*241*114MM	690*290*165MM	3.9KG	4.6KG
ASL02-60W	60W	AC85-265V	> 130Lm/W	2700-6500K	3030 96PCS	Inventronics	641*241*114MM	690*290*165MM	3.9KG	4.6KG
ASL02-80W	80W	AC85-265V	> 130Lm/W	2700-6500K	3030 96PCS	Inventronics	738*289*114MM	790*340*165MM	5.4KG	6.5KG
ASL02-100W	100W	AC85-265V	> 130Lm/W	2700-6500K	3030 128PCS	Inventronics	738*289*114MM	790*340*165MM	5.4KG	6.5KG
ASL02-120W	120W	AC85-265V	> 130Lm/W	2700-6500K	3030 144PCS	Inventronics	738*289*114MM	790*340*165MM	5.4KG	6.5KG
ASL02-150W	150W	AC85-265V	> 130Lm/W	2700-6500K	3030 192PCS	Inventronics	922*360*150MM	970*410*195MM	9.8KG	11.3KG
ASL02-180W	180W	AC85-265V	> 130Lm/W	2700-6500K	3030 192PCS	Inventronics	922*360*150MM	970*410*195MM	9.8KG	11.3KG
ASL02-200W	200W	AC85-265V	> 130Lm/W	2700-6500K	3030 256PCS	Inventronics	922*360*150MM	970*410*195MM	9.8KG	11.3KG

Product Detail



Optional Accessories



SPD



Water-proof Connector



Nema Socket

Application

Street, Roadway, Public square, Parking lot

