



MAIN APPLICATIONS



AFL21

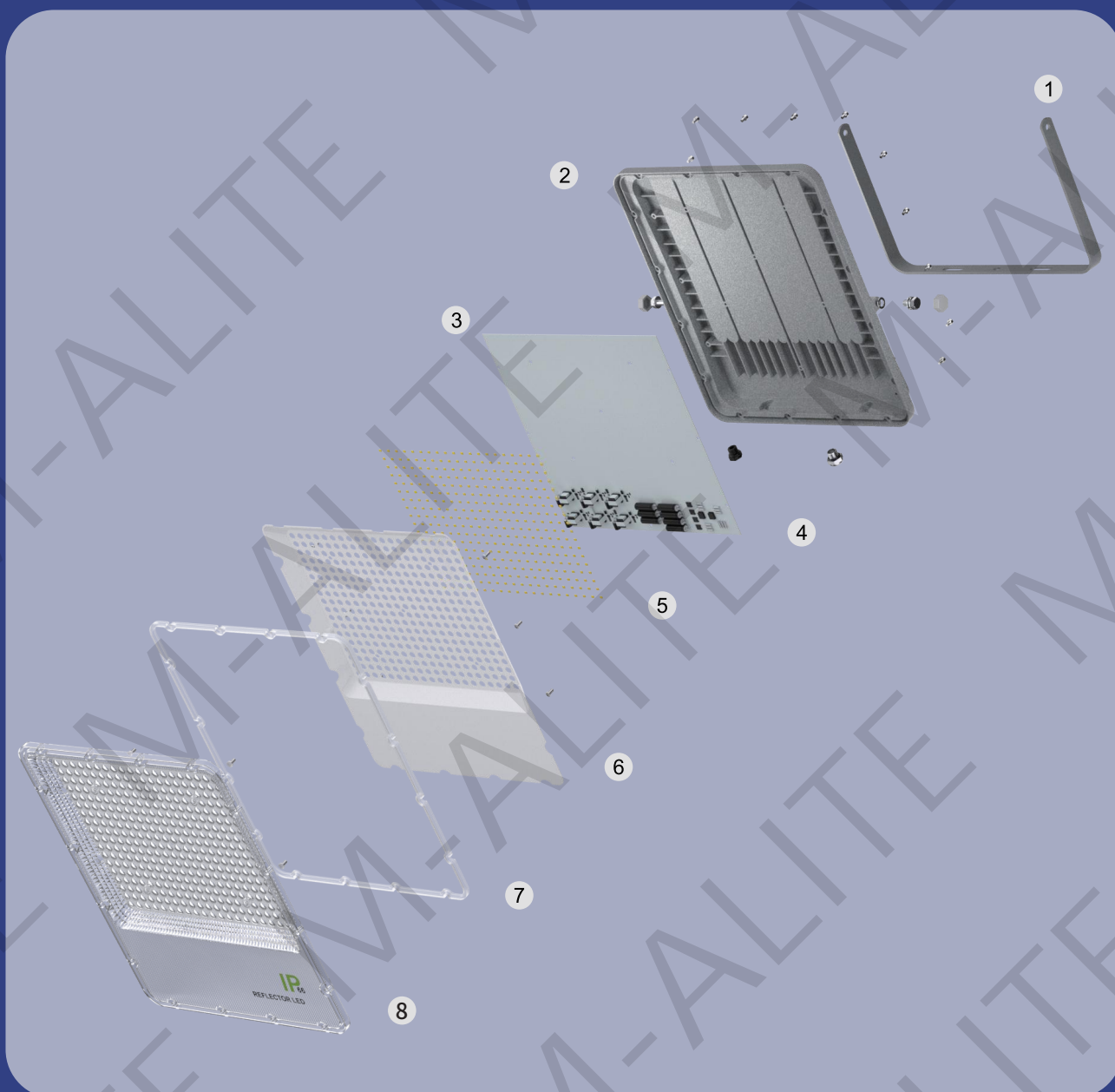
CE ErP

CAUTIONS:

1. Installation must be done by professional electricians.
2. Do NOT take apart the product. It may be dangerous.
3. Do NOT stare at the light with naked eyes. It is harmful to eyes.
4. For outdoor lighting, waterproof measurements must be done to the cable terminals.

WARRANTY:

1. All LED Street lights are warranted by the manufacturer to be free of defects in material and workmanship for 2 years.
2. Warranty becomes void if the products is modified, improperly installed or used, damaged by accident or neglect, or if any parts are improperly installed or replaced by the user.
3. During the period of warranty time, if some products of us fails during normal circumstances and applications or have any defects above defined, we shall at our own choice replace or repair the defective products at no charge. And the liability claims would NOT exceed the value of the product itself.



- ① Re-enforced iron bracket
- ② ADC12 Die-casting aluminum body
- ③ High thermal conductive aluminum PCB
- ④ DOB linear solutions

- ① High lumen 2835 SMD light source
- ② High temperature resistant UV-proof nano-reflector
- ③ Waterproof silicone rubber
- ④ Anti-UV anti-glare optical lens

Technical Data

Led Module

| | |
|----------------------------|--|
| LED Chip Brand | Lumileds Cree Epistar plus |
| LED Chip Type | SMD2835 |
| Luminous Efficacy | 100LM/W |
| Color Rendering Index (RA) | > 70 |
| Color Temperature | 2400K 2700K 3000K 4000K 5000K 6500K |
| Beam Angle | 90° |
| Number Of Leds | A:81Pcs B:144Pcs C:196Pcs D:289Pcs E:289Pcs |

Electrical Parameters

| | |
|------------------|------------------------|
| Power A | 50W |
| Power B | 100W |
| Power C | 150W |
| Power D | 200W |
| Power E | 300W |
| Voltage | AC85-265V |
| Frequency | 50/60Hz |
| Electrical Class | Class I Class II |
| Work Temperature | (-30 °C to 50 °C) |
| Humidity | 10 % to 90% |
| IP Grade | IP65 |
| IK Grade | IK08 |
| SPD | 10KV 20KV (Optional) |

Driver

| | |
|--------------|--------------|
| Driver Type | Linear DOB |
| Power Factor | >0.9 |
| Performance | > 90% |
| IP Grade | IP20 to IP65 |
| THD | < 15% |

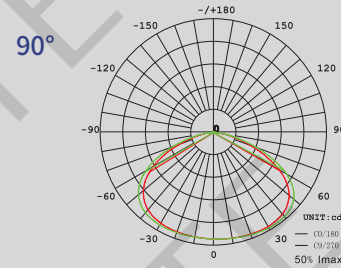
Materials and Properties

| | |
|-------------------|----------------------|
| Material Of Shell | Aluminum (ADC12) +PC |
| Size 50W (mm) | 202*173*26 |
| Size 100W (mm) | 254*220*28 |
| Size 150W(mm) | 313*265*30 |
| Size 200W (mm) | 342*298*35 |
| Size 300W (mm) | 376*328*35 |

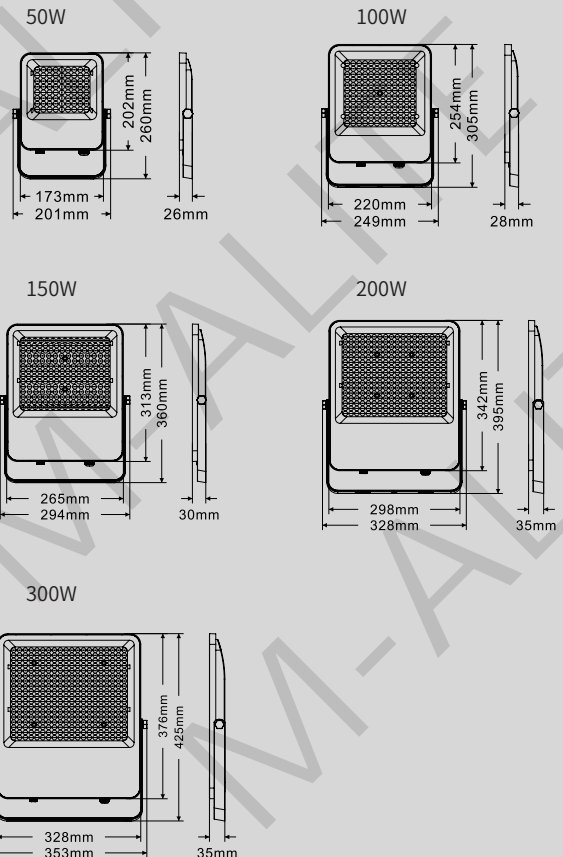
Tested according to

| | |
|--------|--|
| CE-LVD | EN 60598-2-3:2003 + A1:2011 EN IEC 60598-1:2021 EN 62471:2008 EN 62493:2015 |
| CE-EMC | EN 55015:2013+A1:2015 EN 61547:2009 EN IEC 61000-3-2:2019 EN 61000-3-3:2013+A1:2019 |
| ROHS | IEC62321-1:2013, IEC62321-3-1:2013 IEC62321-4:2013/AMD1:2017 IEC62321-5:2013, IEC62321-6:2015 IEC62321-7-1:2015, IEC62321-7-2:2017 IEC62321-8:2017 |

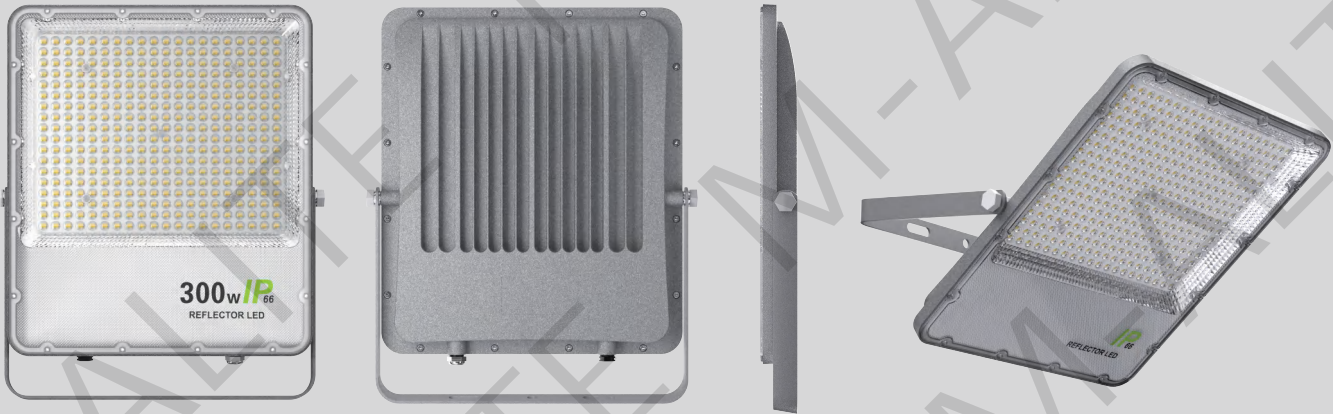
Typical photometric features



Product Size

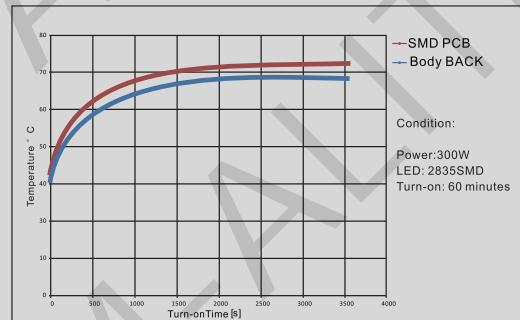
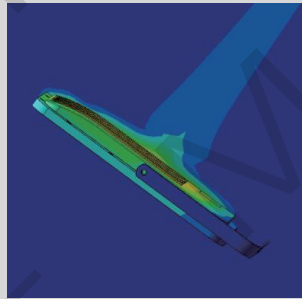
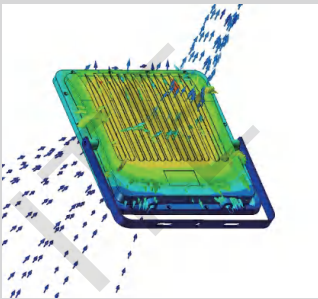
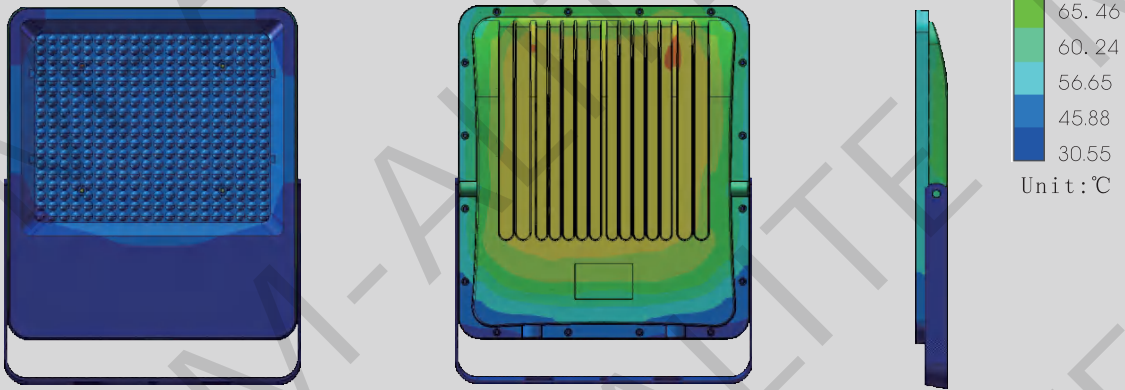


► Combination



► Thermal Control Technology

Thermal Air Convection

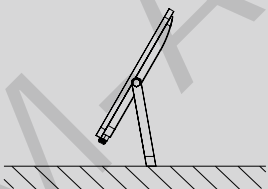


Thermal Air Flow

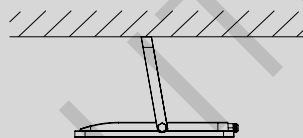
Temperature Rise Curve

► Multiple installation methods

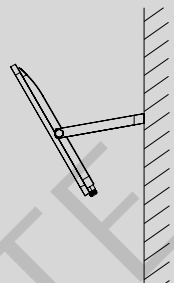
Floor Installation



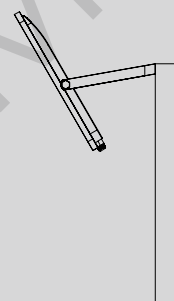
Ceiling Installation



Suction Wall Installation



Post Installation





M-ALITE