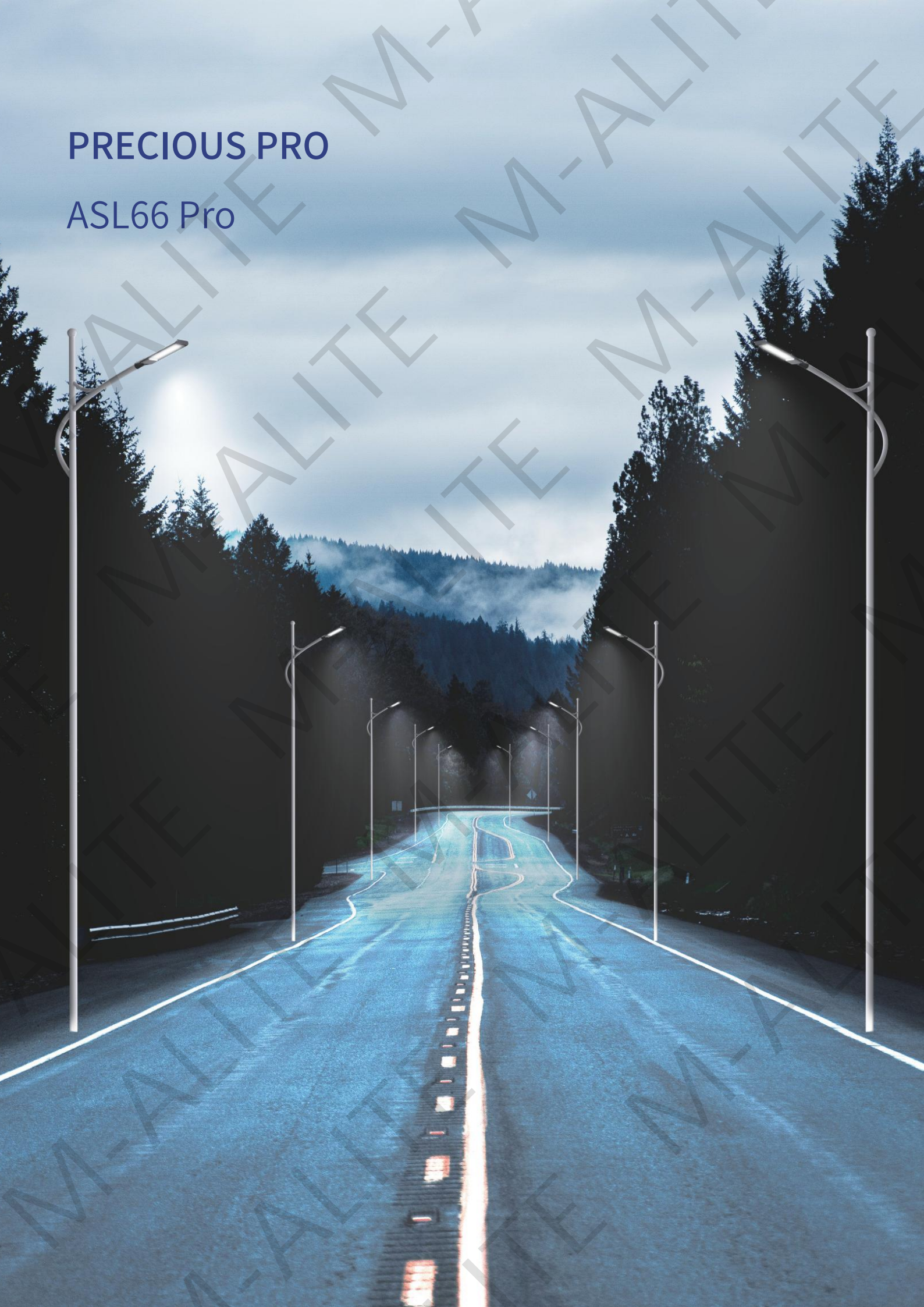


PRECIOUS PRO

ASL66 Pro



# PRECIOUS PRO

## ASL66 Pro

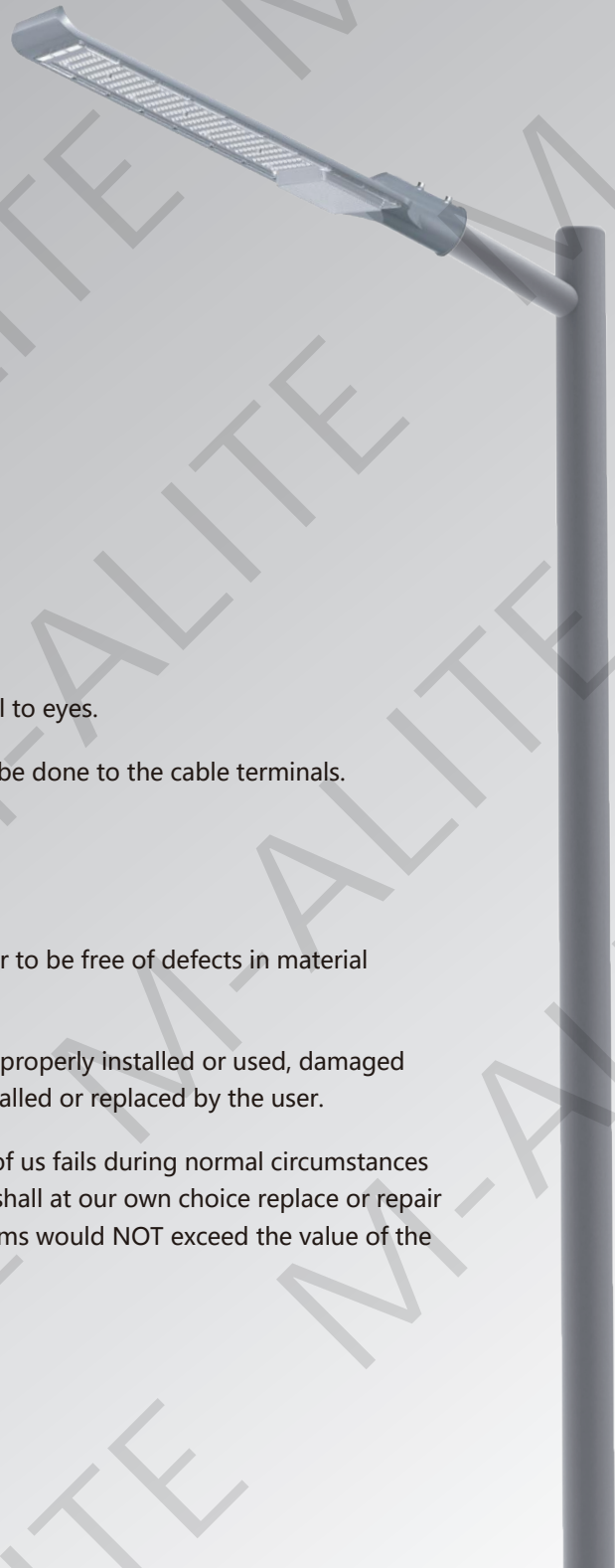
CB CE ErP LoRa

### CAUTIONS:

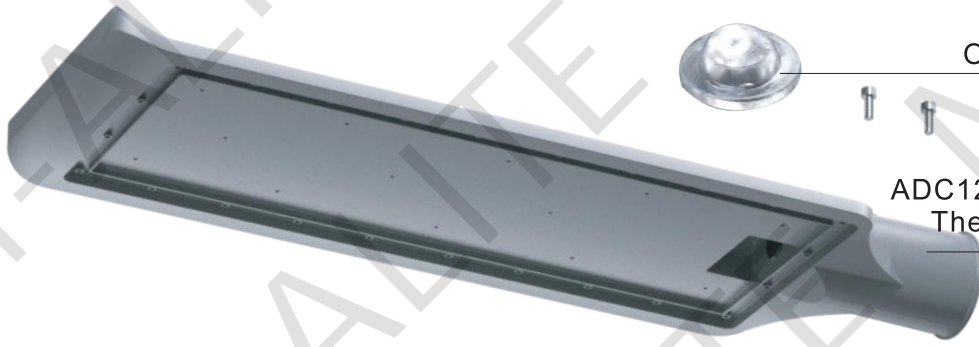
1. Installation must be done by professional electricians.
2. Do NOT take apart the product. It may be dangerous.
3. Do NOT stare at the light with naked eyes. It is harmful to eyes.
4. For outdoor lighting, waterproof measurements must be done to the cable terminals.

### WARRANTY:

1. All LED Street lights are warranted by the manufacturer to be free of defects in material and workmanship for 2 years.
2. Warranty becomes void if the products is modified, improperly installed or used, damaged by accident or neglect, or if any parts are improperly installed or replaced by the user.
3. During the period of warranty time, if some products of us fails during normal circumstances and applications or have any defects above defined, we shall at our own choice replace or repair the defective products at no charge. And the liability claims would NOT exceed the value of the product itself.

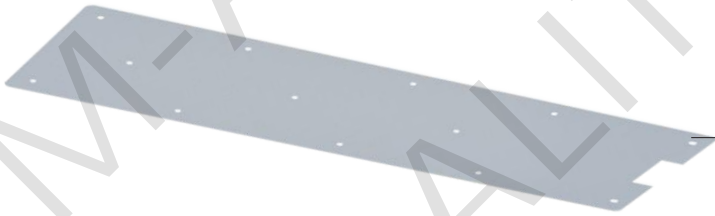


## Product Details

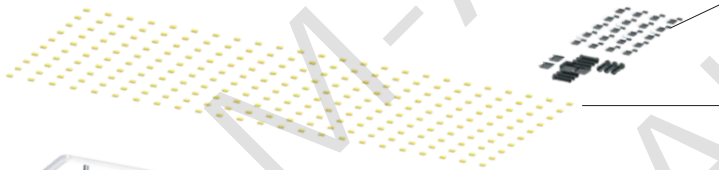


Optional with photocell sensor

ADC12 Die-casting aluminum body,  
Thermal efficiency up to 96w/m.k



High efficiency aluminum PCB



Surge-proof linear solutions

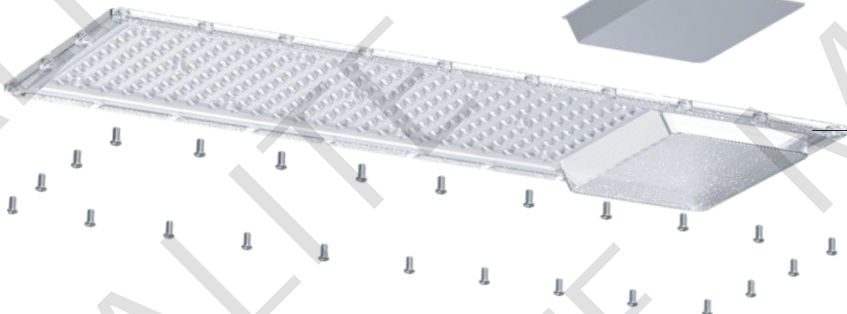
High lumen 3030 SMD LED chip



Waterproof silicone rubber



UV Resistant Nano-reflectors



UV-proof optical lens

## Technical Data

### Led Module

LED Chip Brand	Lumileds   Cree   Epistar plus
LED Chip Type	SMD3030
Luminous Efficacy	110LM/W
Color Rendering Index (RA)	> 70   80
Color Temperature	2400K   2700K   3000K   4000K 5000K   6500K
Beam Angle	80*150°
Number Of Leds	A:60Pcs   B:120Pcs   C:180Pcs   D:240Pcs

### Electrical Parameters

Power A	50W
Power B	100W
Power C	150W
Power D	200W
Voltage	AC85-265V
Frequency	50/60Hz
Electrical Class	Class I   Class II
Work Temperature	(-35 °C to 65 °C)
Humidity	10 % to 90%
IP Grade	IP65
IK Grade	IK08
SPD	10KV   20KV (Optional)

### Driver

Brand	Inventronics   Done   Sosen   OEM
Power Factor	>0.9
Performance	> 90%
IP Grade	IP20 to IP65
THD	< 12%

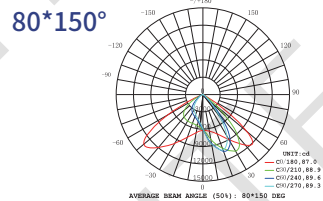
### Materials and Properties

Material Of Shell	Aluminum(ADC12)+PC
Material Of Lens	PMMA   PC
Size 50W (mm)	375*140*51
Size 100W (mm)	480*172*59
Size 150W (mm)	565*176*69
Size 200W (mm)	630*279*69

### Tested according to

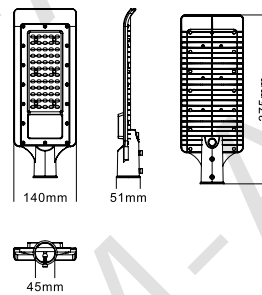
CE-LVD	EN 60598-2-3:2003 + A1:2011 EN IEC 60598-1:2021 EN 62471:2008 EN 62493:2015
CE-EMC	EN 55015:2013+A1:2015 EN 61547:2009 EN IEC 61000-3-2:2019 EN 61000-3-3:2013+A1:2019
ROHS	IEC62321-1:2013, IEC62321-3-1:2013 IEC62321-4:2013/AMD1:2017 IEC62321-5:2013, IEC62321-6:2015 IEC62321-7-1:2015, IEC62321-7-2:2017 IEC62321-8:2017

### Typical photometric features

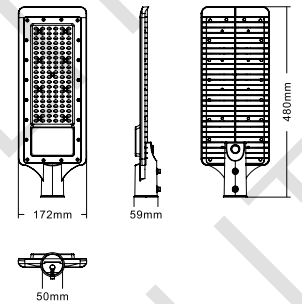


### Dimensions

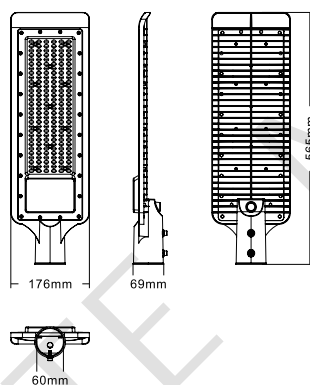
#### 50W



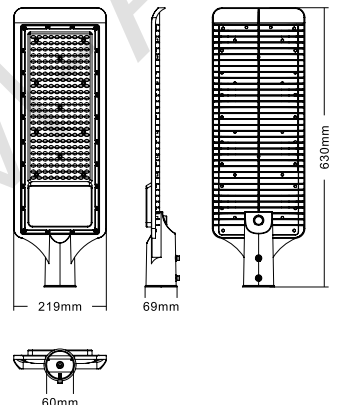
#### 100W



#### 150W



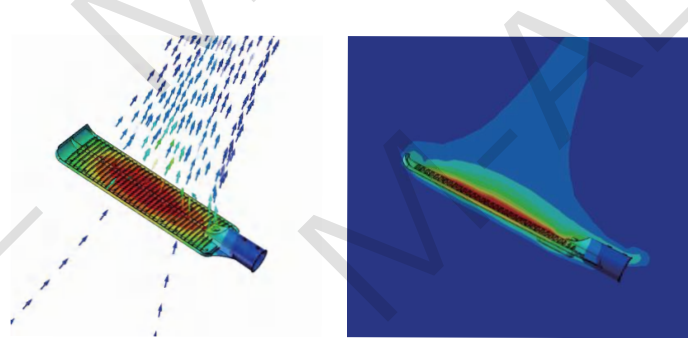
#### 200W



## Thermal Control Technology

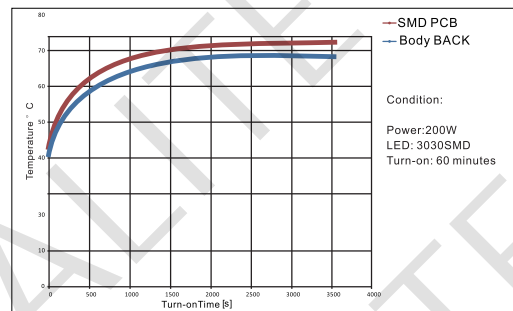


Thermal Air Convection

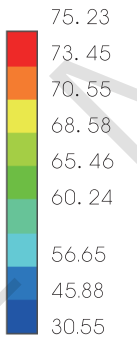


Thermal Conductivity

Thermal Air Flow



Temperature Rise Curve



Unit: °C

## Intelligent Energy-saving

