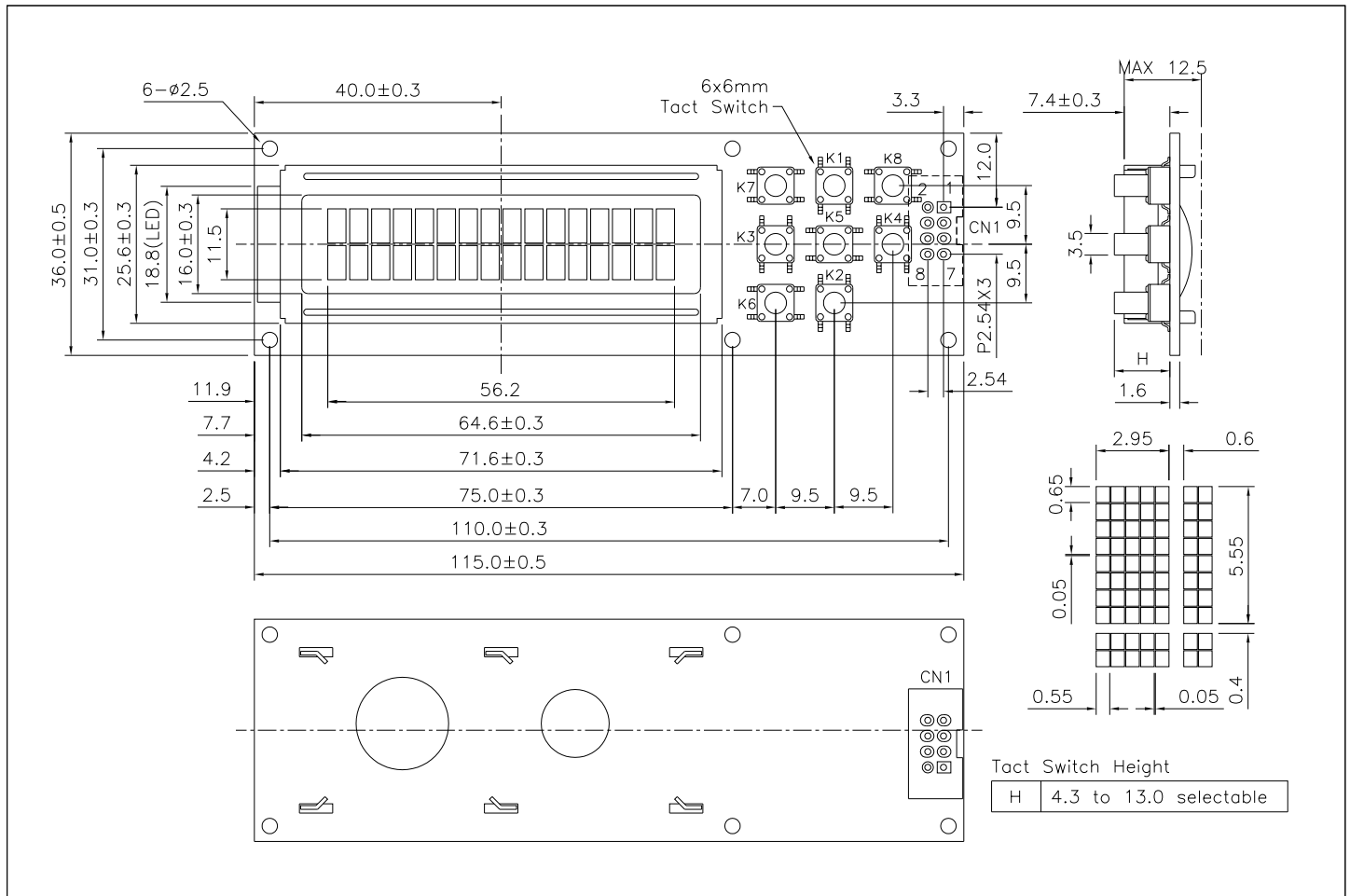


VS162D-DY

16 characters x 2 lines + yellow green led backlight + 8 switches, RS-232 I/F, 5V



ABSOLUTE MAXIMUM RATINGS

| Item | Symbol | Min. | Max. | Unit |
|-------------------------|-----------------------------------|-------|------|------|
| Supply Voltage(L logic) | V _{CC} - V _{SS} | -0.3 | 6.0 | V |
| Supply Voltage(LCD) | V _{CC} - V _O | -0.3 | 10.0 | V |
| Input Voltage | V _{IN} | -30.0 | 30.0 | V |
| Operating Temp. | T _{opr} | -20 | 70 | °C |
| Storage Temp. | T _{stg} | -30 | 80 | °C |

MECHANICAL DATA

| Item | Nominal Dimensions | Unit |
|---------------------------|---------------------|------|
| Module Size (W x H x T) | 115.0 x 36.0 x 12.5 | mm |
| Viewing Area (W x H) | 64.6 x 16.0 | mm |
| Character Size (W x H) | 2.95 x 5.55 | mm |
| Dot Size (W x H) | 0.55 x 0.65 | mm |
| Weight | Approx. 45 | g |

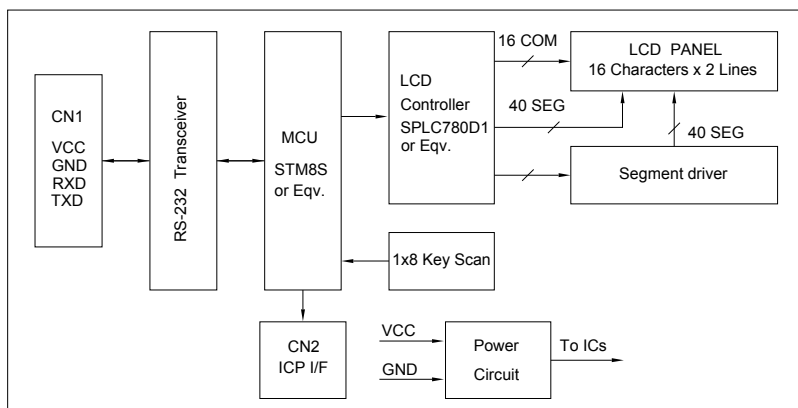
ELECTRICAL CHARACTERISTICS (V_{CC}=5V±0.25V)

| Item | Symbol | Test Condition | Min. | Typ. | Max. | Unit |
|-----------------------------|------------------|------------------------|------|------|------|------|
| Input Threshold Voltage (H) | R _{INH} | V _{CC} = 5.0V | -- | 1.7 | 2.4 | V |
| Input Threshold Voltage (L) | R _{INL} | V _{CC} = 5.0V | 0.8 | 1.2 | -- | V |
| Output Voltage Swing | T _{OUT} | 3KΩ load to GND | ±5.0 | -- | ±8.0 | V |
| Supply Current | I _{CC} | Backlight on | -- | 35.0 | 42.0 | V |
| | | Backlight off | -- | 17.0 | 20.0 | mA |

Features:

1. Full duplex RS-232 I/F
2. Baud rate 9600bps
3. 8 data bits, no parity, 1 stop bit
4. Supports maximum 8 keys

BLOCK DIAGRAM



PIN CONNECTIONS

| Pin | Symbol | Level | Function |
|-----|-----------------|-------|---|
| 1-2 | V _{CC} | +5V | Power supply |
| 3-4 | GND | 0V | Ground. Connect to pin 5 (GND) of PC RS-232 DB9 male connector. |
| 5-6 | RXD | -- | Receive data. Connect to pin 3 (TXD) of PC RS-232 DB9 male connector. |
| 7-8 | TXD | -- | Transmit data. Connect to pin 2 (RXD) of PC RS-232 DB9 male connector. |