

ABSOLUTE MAXIMUM RATINGS

| Item | Symbol | Min. | Max. | Unit |
|-----------------------|------------|------|-----------|------|
| Supply Voltage(Logic) | VDD - VSS | -0.3 | 3.6 | V |
| Supply Voltage(LCD) | VOUT - VSS | -0.3 | 14.5 | V |
| Input Voltage | VI | -0.3 | VDD + 0.3 | V |
| Operating Temp. | Topr | -20 | 70 | °C |
| Storage Temp. | Tstg | -30 | 80 | °C |

MECHANICAL DATA

| Item | Nominal Dimensions | Unit |
|-------------------------|--------------------|------|
| Module Size (W x H x T) | 44.5 x 39.5 x 8.5 | mm |
| Viewing Area (W x H) | 39.0 x 28.0 | mm |
| Dot Pitch (W x H) | 0.282 x 0.36 | mm |
| Dot Size (W x H) | 0.252 x 0.33 | mm |
| Weight | Approx. 14 | g |

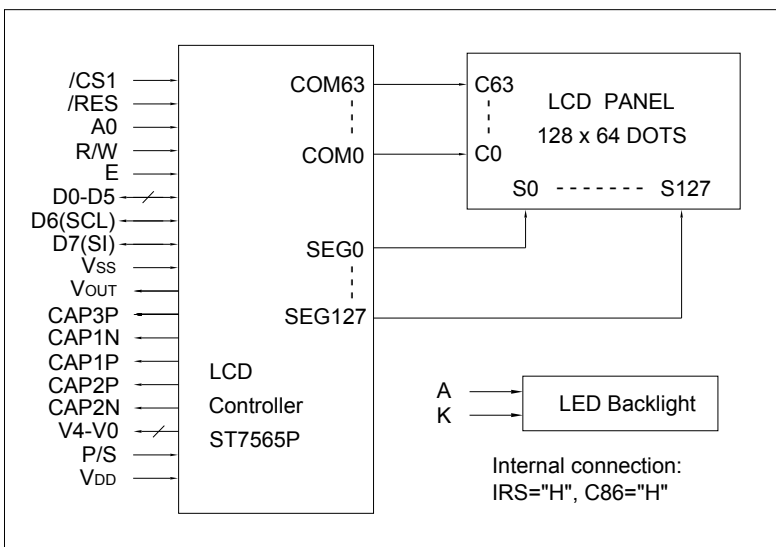
ELECTRICAL CHARACTERISTICS (VDD=3V to 3.3V)

| Item | Symbol | Test Condition | Min. | Typ. | Max. | Unit |
|---------------------|----------|--------------------------|--------|------|--------|------|
| Input High Voltage | VIH | -- | 0.8VDD | -- | VDD | V |
| Input Low Voltage | VIL | -- | 0 | -- | 0.2VDD | V |
| Output High Voltage | VOH | I _{OH} = -0.1mA | 0.8VDD | -- | VDD | V |
| Output Low Voltage | VOL | I _{OL} = 0.1mA | 0 | -- | 0.2VDD | V |
| Supply Current | IDD | VDD=3.3V | -- | 0.4 | 0.8 | mA |
| LCD Driving Voltage | V0 - VSS | Ta=25°C | -- | 9.9 | -- | V |

PIN CONNECTIONS

| Pin | Symbol | Level | Function |
|-------|---------|-----------|-------------------------------------|
| 1 | VDD | 3 to 3.3V | Power supply for logic and booster |
| 2 | P/S | H/L | H: Parallel mode L: Serial mode |
| 3 | VSS | 0V | GND |
| 4-8 | V0-V4 | -- | Power supply for LCD drive |
| 9 | CAP2N | -- | Capacitor 2 negative connection |
| 10 | CAP2P | -- | Capacitor 2 positive connection |
| 11 | CAP1P | -- | Capacitor 1 positive connection |
| 12 | CAP1N | -- | Capacitor 1 negative connection |
| 13 | CAP3P | -- | Capacitor 3 positive connection |
| 14 | VOUT | -- | DC/DC voltage converter output |
| 15 | VSS | 0V | GND |
| 16 | D7(SI) | H/L | P/S=H: D0 to D7 are 8-bit data bus. |
| 17 | D6(SCL) | H/L | P/S=L: D6 is serial clock input; |
| 18-23 | D5-D0 | H/L | D7 is serial data input. |
| 24 | E | H,H→L | Enable signal |
| 25 | R/W | H/L | H: Read L: Write |
| 26 | A0 | H/L | H: Display data L: Instruction code |
| 27 | /RES | L | Reset signal. Active "L". |
| 28 | /CS1 | L | Chip selection signal. Active "L". |

BLOCK DIAGRAM



LED BACKLIGHT SPECIFICATIONS (Ta=25°C)

| Item | Symbol | Typ. | Max. | Unit |
|-----------------|--------|-------|------|------|
| Forward Voltage | Vf | 2.9 | 3.1 | V |
| Forward Current | If | 20 | -- | mA |
| LED Color | | White | | |