

### ABSOLUTE MAXIMUM RATINGS

Item	Symbol	Min.	Max.	Unit
Supply Voltage(Logic)	$V_{DD} - V_{SS}$	-0.3	5.25	V
Supply Voltage(LCD)	$V_o - V_{SS}$	-0.3	7.0	V
Input Voltage	$V_i$	-0.3	$V_{DD} + 0.3$	V
Operating Temp.	$T_{opr}$	-20	70	°C
Storage Temp.	$T_{stg}$	-30	80	°C

### MECHANICAL DATA

Item	Nominal Dimensions	Unit
Module Size ( W x H x T )	74.0 x 35.0 x 13.5	mm
Viewing Area ( W x H )	60.5 x 18.5	mm
Dot Pitch ( W x H )	0.44 x 0.49	mm
Dot Size ( W x H )	0.40 x 0.45	mm
Weight	Approx. 32	g

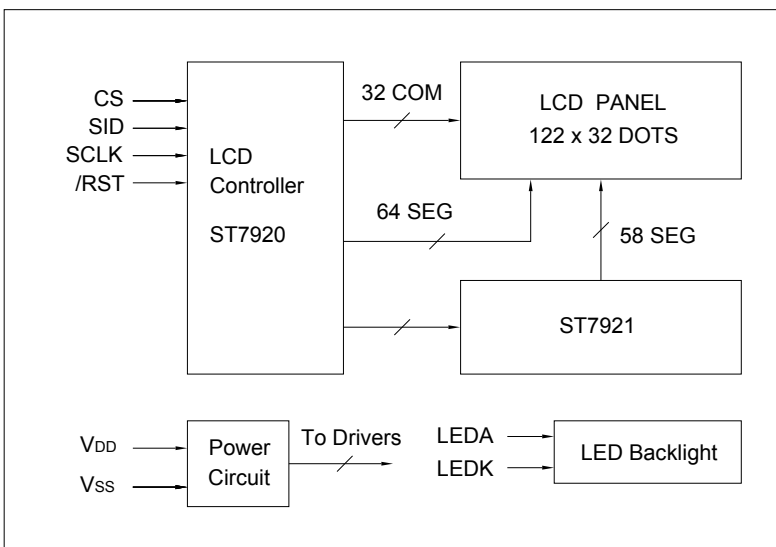
### ELECTRICAL CHARACTERISTICS ( $V_{DD}=5V\pm 0.15V$ )

Item	Symbol	Test Condition	Min.	Typ.	Max.	Unit
Input High Voltage	$V_{IH}$	--	$0.7V_{DD}$	--	$V_{DD}$	V
Input Low Voltage	$V_{IL}$	--	-0.3	--	0.6	V
Output High Voltage	$V_{OH}$	$I_{OH} = -0.1mA$	$0.8V_{DD}$	--	$V_{DD}$	V
Output Low Voltage	$V_{OL}$	$I_{OL} = 0.1mA$	--	--	$0.1V_{DD}$	V
Supply Current	$I_{DD}$	$V_{DD} = 5.0V$	--	3.0	5.0	mA
LCD Driving Voltage	$V_o - V_{SS}$	$T_a=25^\circ C$	--	6.5	--	V

### PIN CONNECTIONS (CN1/CN2)

Pin	Symbol	Level	Function
1	$V_{SS}$	0V	GND
2	$V_{DD}$	5V	Power supply for logic
3	CS	H/L	Chip enable signal. Active "H".
4	SID	H/L	Serial data input
5	SCLK	H/L	Serial clock input
6	/RST	L	Reset signal. Active "L".
7	LEDA	5V	Power supply for LED backlight
8	LEDK	0V	

### BLOCK DIAGRAM



### LED BACKLIGHT SPECIFICATIONS ( $T_a=25^\circ C$ )

Item	Symbol	Typ.	Max.	Unit
Forward Voltage	$V_f$	2.9	3.0	V
Forward Current	$I_f$	18	--	mA
LED Color		Yellow Green		