

## ABSOLUTE MAXIMUM RATINGS

Item	Symbol	Min.	Max.	Unit
Supply Voltage(Logic)	V <sub>DD</sub> - V <sub>SS</sub>	-0.3	5.25	V
Supply Voltage(LCD)	V <sub>O</sub> - V <sub>SS</sub>	-0.3	7.0	V
Input Voltage	V <sub>I</sub>	-0.3	V <sub>DD</sub> + 0.3	V
Operating Temp.	T <sub>opr</sub>	-20	70	°C
Storage Temp.	T <sub>stg</sub>	-30	80	°C

## MECHANICAL DATA

Item	Nominal Dimensions	Unit
Module Size (W x H x T)	74.0 x 27.4 x 13.5	mm
Viewing Area (W x H)	60.5 x 18.5	mm
Dot Pitch (W x H)	0.44 x 0.49	mm
Dot Size (W x H)	0.40 x 0.45	mm
Weight	Approx. 30	g

## ELECTRICAL CHARACTERISTICS (V<sub>DD</sub>=5V±0.15V)

Item	Symbol	Test Condition	Min.	Typ.	Max.	Unit
Input High Voltage	V <sub>IH</sub>	--	0.7V <sub>DD</sub>	--	V <sub>DD</sub>	V
Input Low Voltage	V <sub>IL</sub>	--	-0.3	--	0.6	V
Output High Voltage	V <sub>OH</sub>	I <sub>OH</sub> = -0.1mA	0.8V <sub>DD</sub>	--	V <sub>DD</sub>	V
Output Low Voltage	V <sub>OL</sub>	I <sub>OL</sub> = 0.1mA	--	--	0.1V <sub>DD</sub>	V
Supply Current	I <sub>DD</sub>	V <sub>DD</sub> = 5.0V	--	3.0	5.0	mA
LCD Driving Voltage	V <sub>O</sub> - V <sub>SS</sub>	T <sub>a</sub> =25°C	--	6.5	--	V

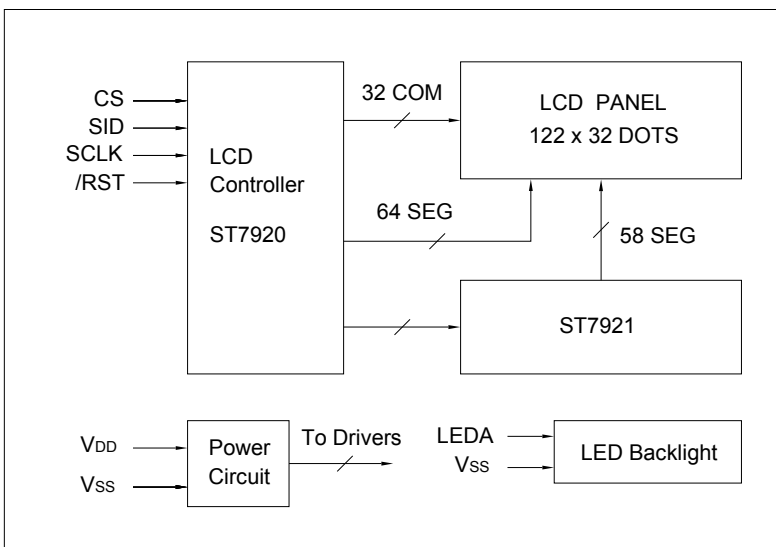
## PIN CONNECTIONS (CN1/CN2)

Pin	Symbol	Level	Function
1	V <sub>SS</sub>	0V	GND
2	V <sub>DD</sub>	5V	Power supply for logic
3	CS	H/L	Chip enable signal. Active "H".
4	SID	H/L	Serial data input
5	SCLK	H/L	Serial clock input
6	/RST	L	Reset signal. Active "L".
7	LEDA	5V	Power supply for LED backlight
8	NC	--	No connection

### Notes:

- LEDK is connected to V<sub>SS</sub> on PCB
- Pin 8 is only available for CN2.

## BLOCK DIAGRAM



## LED BACKLIGHT SPECIFICATIONS (T<sub>a</sub>=25°C)

Item	Symbol	Typ.	Max.	Unit
Forward Voltage	V <sub>f</sub>	2.9	3.0	V
Forward Current	I <sub>f</sub>	18	--	mA
LED Color		White		